

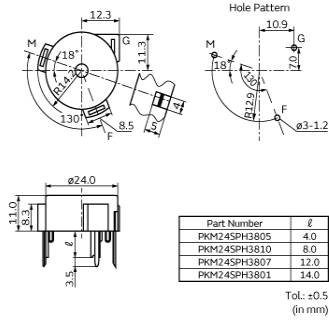
PKM24SPH3805

Discontinued

RoHS

REACH

Appearance & Shape



Features

Piezoelectric sounder self drive type requires only simple circuit and DC power supply. Since this type uses resonant system, it is also available for alarms which need large sound volume.

Applications

Other Usage	Consumer/Industrial
-------------	---------------------


Packaging Information

Packaging	Specifications	Standard Packing Quantity
-	Bulk	360

Attention

- 1.This datasheet is downloaded from the website of Murata Manufacturing Co., Ltd. Therefore, it's specifications are subject to change or our products in it may be discontinued without advance notice. Please check with our sales representatives or product engineers before ordering.
- 2.This datasheet has only typical specifications because there is no space for detailed specifications. Therefore, please review our product specifications or consult the approval sheet for product specifications before ordering.

PKM24SPH3805



Specifications

Oscillation circuits	Built-in
Size	φ24.0×11.0 mm
Frequency	3.8kHz
Sound Pressure Level	90dB (min.)
Measure Condition of Sound Pressure Level	[12Vdc,10cm]
Oscillating Frequency	3.8kHz
Measure Condition of Oscillation Frequency	[12Vdc]
Current Consumption(max.)	12mA
Measure Condition of Current Consumption	[12Vdc]
Maximum input voltage	3Vdc to 20Vdc
Operating Temperature Range	-20°C to 70°C
Storage Temperature Range	-30°C to 80°C
Shape	Lead
Lead Shape	Pin type
Lead length	Lead length:4.0mm
Drive Type	Self Drive
EIAJ Part Number	PS-RP3-C24-38
Mass	3712mg

Attention

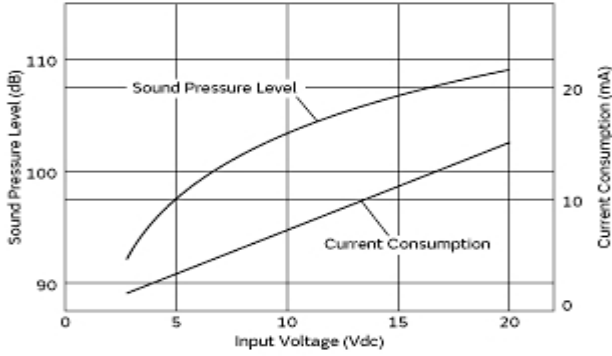
1.This datasheet is downloaded from the website of Murata Manufacturing Co., Ltd. Therefore, it's specifications are subject to change or our products in it may be discontinued without advance notice. Please check with our sales representatives or product engineers before ordering.

2.This datasheet has only typical specifications because there is no space for detailed specifications.

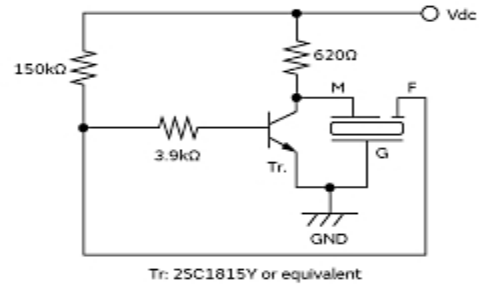
Therefore, please review our product specifications or consult the approval sheet for product specifications before ordering.

PKM24SPH3805

Product Data



Voltage Characteristics



Recommended Circuit

Attention

- 1.This datasheet is downloaded from the website of Murata Manufacturing Co., Ltd. Therefore, it's specifications are subject to change or our products in it may be discontinued without advance notice. Please check with our sales representatives or product engineers before ordering.
- 2.This datasheet has only typical specifications because there is no space for detailed specifications. Therefore, please review our product specifications or consult the approval sheet for product specifications before ordering.

X-ON Electronics

Largest Supplier of Electrical and Electronic Components

Click to view similar products for [Audio Indicators & Alerts](#) category:

Click to view products by [Murata](#) manufacturer:

Other Similar products are found below :

[M2BJ-BH24E](#) [6-4](#) [68S1240-PA](#) [MBA-624](#) [FDG111PLF](#) [F/EM12PLF](#) [F/NRMB 24 BLACK LF](#) [PF-35N29WQ](#) [PFD-27A35PQ](#) [PL-21N30WQ](#) [PL-27A35PSQ](#) [PS-531Q](#) [AB2020B-2-LW1](#) [EBPT-401](#) [PB-1220PEQ](#) [S6109](#) [SC2036ACP](#) [SC616N-2](#) [SC628FW](#) [SC628MPG](#) [SC648D](#) [SCS045MD9DT3S](#) [AB2025B-LW50-R](#) [ESZ-25B-5-250B](#) [ESZ-25S](#) [AI-2835-TF-LW150-2-R](#) [AI-4228-TF-LW305-R](#) [FSMD8585JSLF](#) [FSS-26T](#) [F/TCW 05 WITH LABEL LF](#) [F/UCW 03 WITH LABEL LF](#) [PKM22EPPH40S1-B0](#) [PKM35-4A0](#) [PL-35N29WQ](#) [PLD-27A35PQ](#) [PS-552Q](#) [CM-5](#) [M2BJ-BH24E-D](#) [REF-202](#) [LSC628ANR](#) [03-810.001](#) [PL-21N31PQ](#) [B/CP 28B BLACK LF](#) [F/DGX 05P](#) [WITH LABEL LF](#) [F/HCW 06 WITH LABEL LF](#) [B/CP 50 GREY LF](#) [F/SU 27-03 LF](#) [OMT222L](#) [PB-1220PE-05Q](#) [SMI-1324-TW-5V-2-R-TR](#)