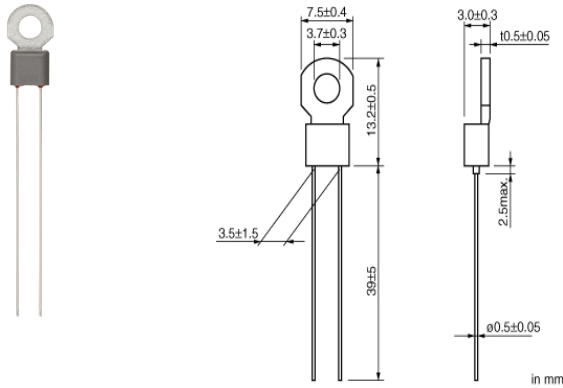


PTFM04BE222Q2N34B0



Appearance & Shape



Features

1. PTFM_S Series is fixed easily because of a screw clamp type.
2. Compact and light design as well as excellent thermal response.
3. Contactless operation provides a prolonged service life, yet permits noiseless operation.
4. The operating point of "POSISTOR" is set on the steepest point along the resistance-temperature characteristic curve, thus performing the overheat protective operation securely.
5. PTFM Series and PTFL Series have same resistance-temperature characteristic, providing a selection depending on the mounting method.

Applications

Limited Usage	Consumer Grade
---------------	----------------

Packaging Information

Packaging	Specifications	Minimum Order Quantity
B0	Bulk(Bag)	200


Attention

1.This datasheet is downloaded from the website of Murata Manufacturing Co., Ltd. Therefore, it's specifications are subject to change or our products in it may be discontinued without advance notice. Please check with our sales representatives or product engineers before ordering.

2.This datasheet has only typical specifications because there is no space for detailed specifications.

Therefore, please review our product specifications or consult the approval sheet for product specifications before ordering.

PTFM04BE222Q2N34B0



Specifications

Max. Voltage	16V
Sensing Temperature	90°C
Measure Condition of Sensing Temperature	TS°C
Resistance (25°C)	330Ω
Resistance Value Tolerance (at 25°C)	max.
Resistance	1.5kΩ
Measure Condition of Resistance	max.(TS-10°C)
Resistance Value(2)	2.2kΩ
Measure Condition of Resistance(2)	min.(TS°C)
Operating Temperature Range	-10°C to 100°C
Shape	Lead
Mass	0.62g

Attention

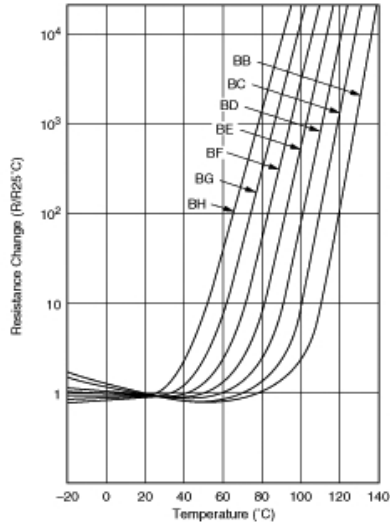
1.This datasheet is downloaded from the website of Murata Manufacturing Co., Ltd. Therefore, it's specifications are subject to change or our products in it may be discontinued without advance notice. Please check with our sales representatives or product engineers before ordering.

2.This datasheet has only typical specifications because there is no space for detailed specifications.

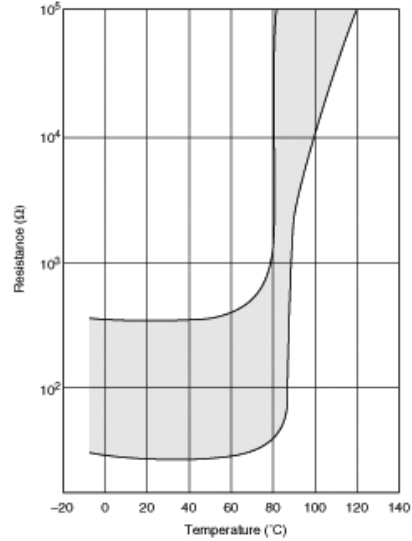
Therefore, please review our product specifications or consult the approval sheet for product specifications before ordering.

PTFM04BE222Q2N34B0

Product Data



Resistance-Temperature Characteristics



Resistance-Temperature Characteristics Range

Attention

- 1.This datasheet is downloaded from the website of Murata Manufacturing Co., Ltd. Therefore, it's specifications are subject to change or our products in it may be discontinued without advance notice. Please check with our sales representatives or product engineers before ordering.
- 2.This datasheet has only typical specifications because there is no space for detailed specifications. Therefore, please review our product specifications or consult the approval sheet for product specifications before ordering.

X-ON Electronics

Largest Supplier of Electrical and Electronic Components

Click to view similar products for [Thermistors - PTC category](#):

Click to view products by [Murata manufacturer](#):

Other Similar products are found below :

[PTGL12AR270M9C01B0](#) [PTGL07AS1R8K2B51B0](#) [PTGL12AR1R2H2B51B0](#) [PTGL10AR3R9M3P51B0](#) [PTGL07BD220N3B51B0](#)
[PTGL07AS5R6K4B51B0](#) [PTGL07AS150K6B51A0](#) [PTGL07AR8R2M3P51B0](#) [PTGL07AR560M9A51B0](#) [PTGL04AS560K6B51B0](#)
[PTGL04AS220K4N51B0](#) [PTFL04BG471Q2N34B0](#) [PTFL04BD471Q2N34B0](#) [PRG21BC3R3MM1RA](#) [PRG21BC1R0MM1RA](#)
[PRG21BB220MB1RK](#) [PRG21AR220MS1RK](#) [PRG18BC4R7MM1RB](#) [PRG18BB471MB1RB](#) [PRG18BB470MB1RB](#) [PRG18BB221MB1RB](#)
[PRG18BB101MB1RB](#) [PRF18BG471QB5RB](#) [PRF18BC471QB5RB](#) [PRF18BB471QB5RB](#) [PRF15BC102RB6RC](#) [PRG21BC6R8MM1RA](#)
[PRG21BC4R7MM1RA](#) [PRG21BC2R2MM1RA](#) [PRG21AR420MB1RA](#) [PRG18BC6R8MM1RB](#) [PRG18BC1R0MM1RB](#)
[PRG18BB330MS1RB](#) [PRF21BE471QB5RA](#) [PRF18BA471QB5RB](#) [PRF18AR471QB5RB](#) [LT1/4LT52R102J3900](#) [LT732ATTD102J3600](#)
[LT732ATTD102J3900](#) [B59100M1120A70](#) [B59100M1155A70](#) [B59701A110A62](#) [B59101P1120A62](#) [B59215P1120A62](#) [B59601A0075A062](#)
[B59641A0145A062](#) [B59886C0120A070](#) [B59002Z0999A099](#) [B59003Z0999A099](#) [B59008C80A40](#)