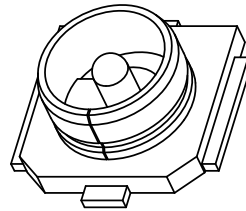
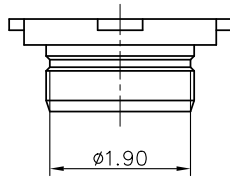
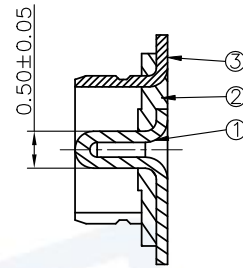
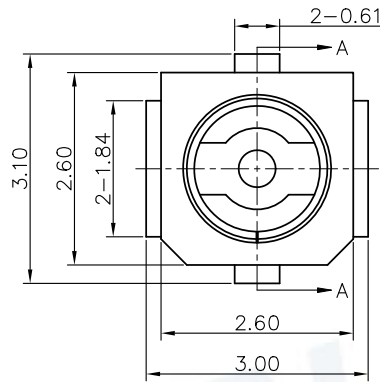


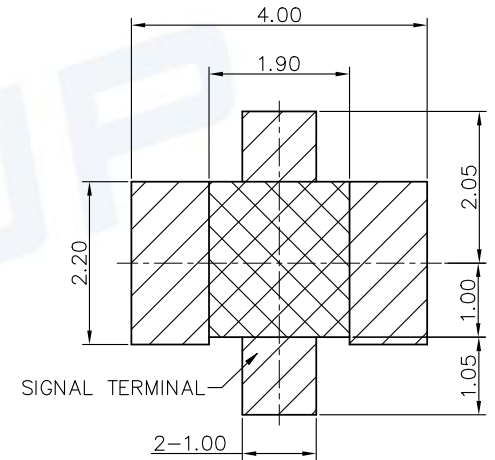
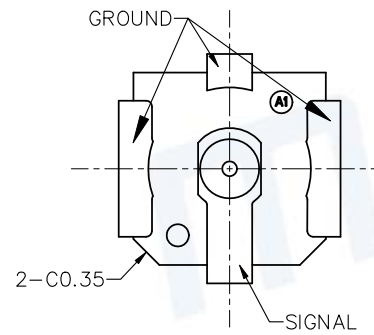
REV.	DESCRIPTION OF REVISIONS	APPR.	CHKD.	DRAW.	DATE
△	New Release			DING	2022/07/15
△	Original model R4151-8			DING	2023/10/17



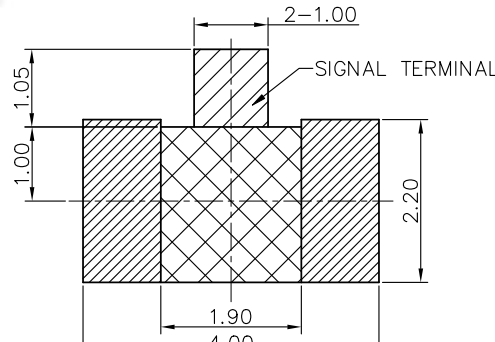
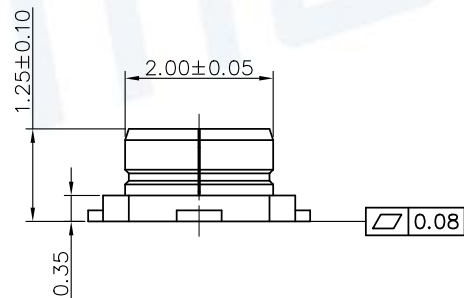
3D VIEW



SECTION: A-A



RECOMMENDED P.C.B. LAYOUT FOR 4 PAD (TOLERANCE ±0.05)



RECOMMENDED P.C.B. LAYOUT FOR 3 PAD (TOLERANCE ±0.05)

NOTES:

- Mechanical Characteristics :
Durability: 100 cycles min.(after the test all requirement should be ok and no physical damage)
Connector Mating Force: 30N Max
Connector Unmating Force: 5N Min
- Electrical Characteristics
Voltage rating: 60V DC
Contact resistance: 20mΩ Max
Insulation resistance: 500MΩ Min
- Environmental Characteristics
Salt-Mist: 48hour min.(no harmful corrosion)
High temprature resistance: 260°C, 120s'.
(feet plane shall be in 0.10mm)
Solderability: 260°C, 5sec. (Solder tail shall be covered more than 95% of immersed area with flash solder)

3	Shell	1	Copper alloy, Au plated over Nickel
2	Contact	1	Copper alloy, Au plated over Nickel
1	Insulation	1	LCP UL94V-0,Black
ITEM	PART NAME	Q'TY	MATERILA/FINISH

Unless otherwise specified, other tolerance are:			MUP MUP INDUSTRIAL CO.,LTD.		
X	±0.35	X*	±5*	NAME: RF I REC Connector	
X.X	±0.25	X.X*	±4*	MODEL NO: MUP-R4151-08	
X.XX	±0.15	X.XX*	±3*	TYPE : H=1.25mm, 4 TYPE	
X.XXX	±0.10	X.XXX*	±2*		
PROJ.	UNIT	SCALE	DRAWN	DING	2022/07/15
①	MM	10:1	CHECKED	Jimmy	2022/07/15
CUSTOMER DRAWING			APPROVAL	Simon	2022/07/15
				DWG NO.:	DWG-R4151-08-01
				SHEET	1/1
				REVISION	2



X-ON Electronics

Largest Supplier of Electrical and Electronic Components

Click to view similar products for [RF Connectors](#) / [Coaxial Connectors](#) category:

Click to view products by [Murata](#) manufacturer:

Other Similar products are found below :

[89674-0827](#) [6059674-1](#) [630059-000](#) [6501-1071-002](#) [6769](#) [7002-1541-010](#) [7002-1572-002](#) [7004-1512-000](#) [7009-1511-004](#) [7101-1541-010](#)
[7101-1571-002](#) [7105-1521-002](#) [7145-1521-002](#) [7203-1571-003](#) [7209-1511-011](#) [7210-1511-040](#) [7242-1511-000](#) [7405-1521-005](#) [7405-1521-](#)
[802](#) [804S01D04M040](#) [8527](#) [8547](#) [FS11V](#) [877931](#) [8808-1511-001](#) [9049-9513-000](#) [9074-9513-000](#) [PL11C-026](#) [PL40-36](#) [9408-1113-000](#)
[980-8666-005](#) [11 SMA-50-2-6 / 111 NE](#) [11 SMA-50-3-6 / 111 NE](#) [11 SMA-50-2-6/111 NH](#) [1-201144-1](#) [120919](#) [R107003010W](#) [R112186000](#)
[R113053000W](#) [R113082097](#) [R113236000](#) [R114083000](#) [R114670000W](#) [R123415000W](#) [R124072220W](#) [R124076320](#) [R124076450](#)
[R124175123](#) [R124176123W](#) [R125075000W](#)