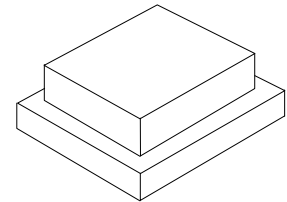



RFM products are now
Murata products.

SF1186K-1

**1575.42 MHz
SAW Filter**



SM1411-5

- RF Filter Designed for Front End GPS Applications
- Excellent Rejection
- 1.4 x 1.1 mm Surface-Mount Case
- Complies with Directive 2002/95/EC (RoHS) 

Absolute Maximum Ratings

Rating	Value	Units
Maximum Incident Power in Passband	+10	dBm
Maximum DC Voltage Between any Two Terminals	3	VDC
Operating Temperature Range	-30 to +60	°C
Storage Temperature Range	-40 to +85	°C
Maximum Soldering Temperature Profile	265 °C for 10 s	

Electrical Characteristics

Characteristic	Sym	Notes	Min	Typ	Max	Units
Center Frequency	f_C		1575.42			MHz
2 dB Bandwidth				40		MHz
Insertion Loss, 1570.42 - 1580.42 MHz	IL			1.3	3.0	dB
Amplitude Ripple, 1570.42 - 1580.42 MHz				1.0	2.0	dB _{p-p}
Rejection Referenced to 0 dB:						
1490.0 to 1524.0 MHz			40			dB
1626.6 to 1660.5 MHz			45			
Return Loss, 1570.42 - 1580.42 MHz			8.5			dB
Terminating Source impedance	Z_S			50		Ω
Terminating Load impedance	Z_L			50		Ω
Single-ended Input / Output Impedance Match	No matching network required for operation at 50 ohms					
Case Style	SM1411-5					
Lid Symbolization (Y=year, W=week)	2Z YW					
Standard Quantity on a 7 inch (178 mm) Reel	3000 units					

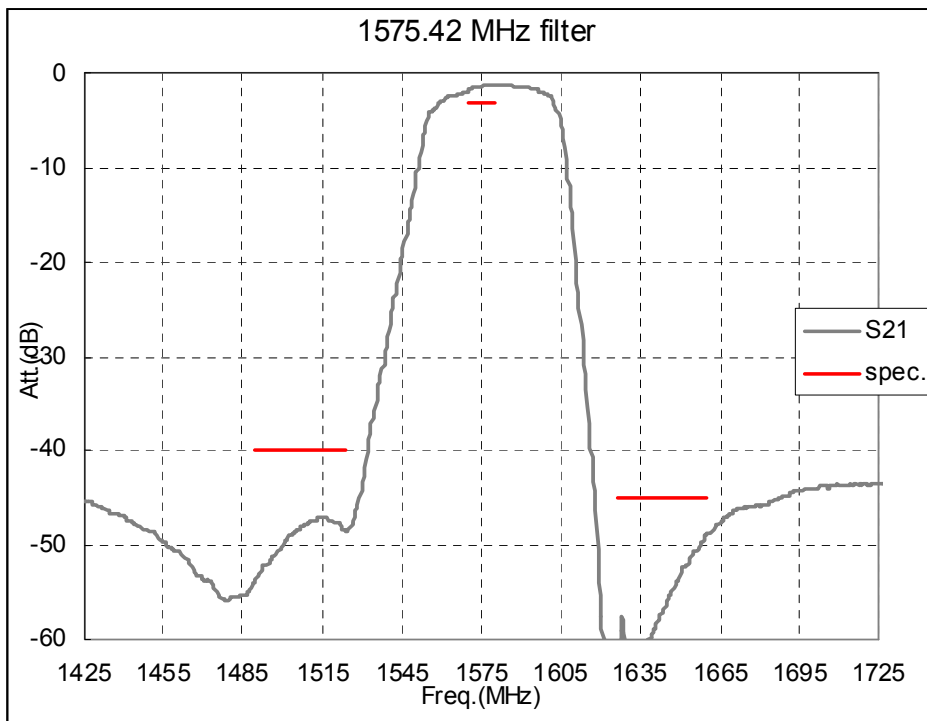
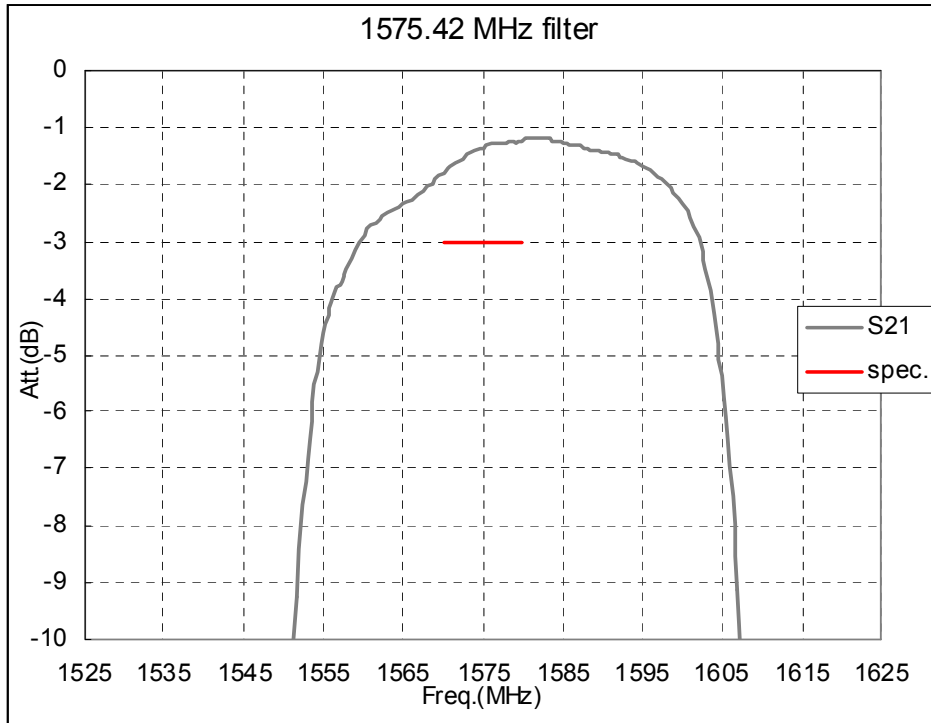


CAUTION: Electrostatic Sensitive Device. Observe precautions for handling.

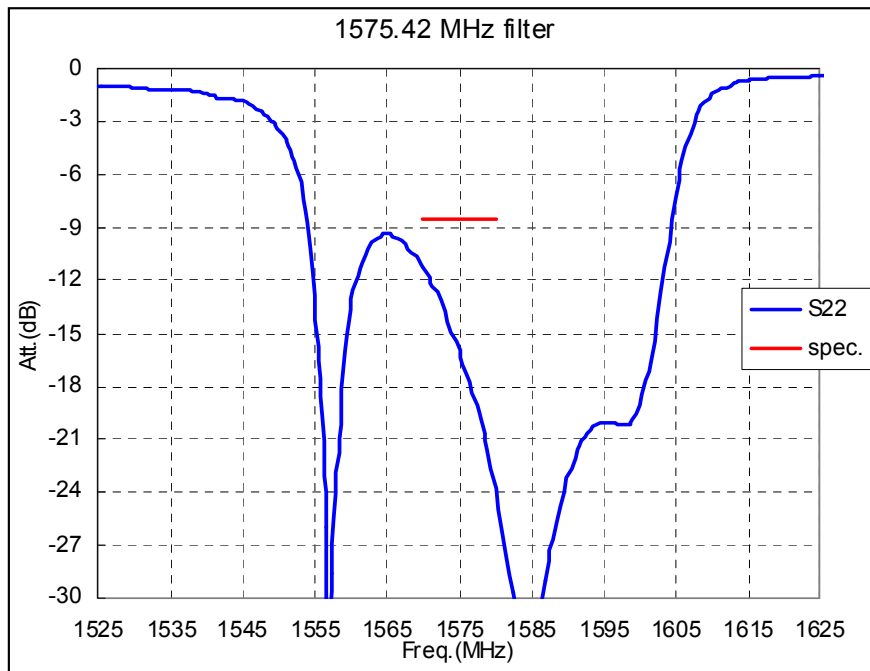
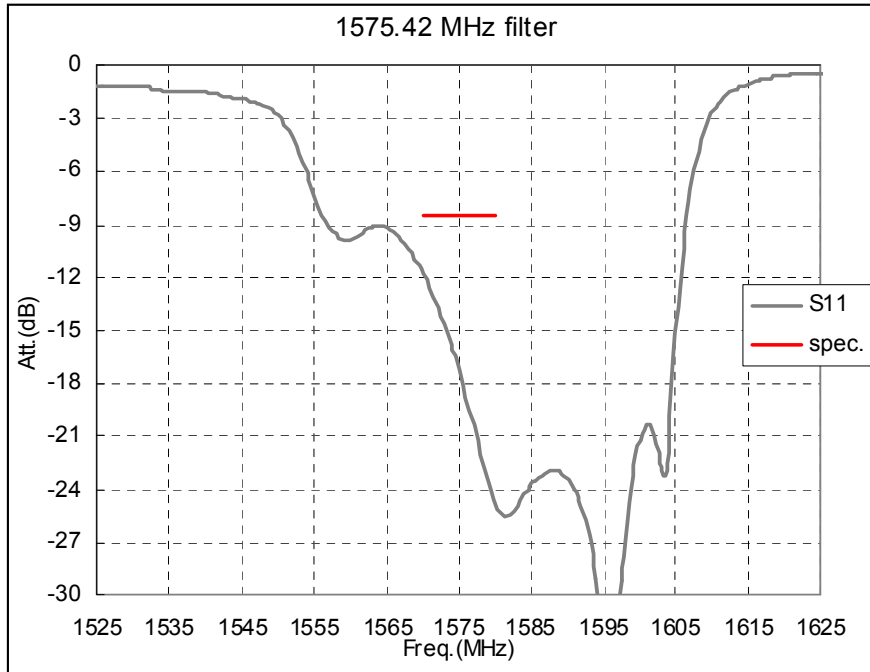
NOTES:

1. US and international patents may apply.
2. Murata, stylized Murata logo, and Murata N.A., Inc. are registered trademarks of Murata Manufacturing Co., Ltd.p

Frequency Response

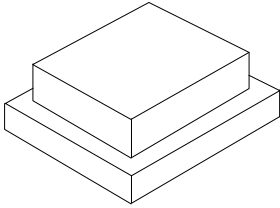


Return Loss



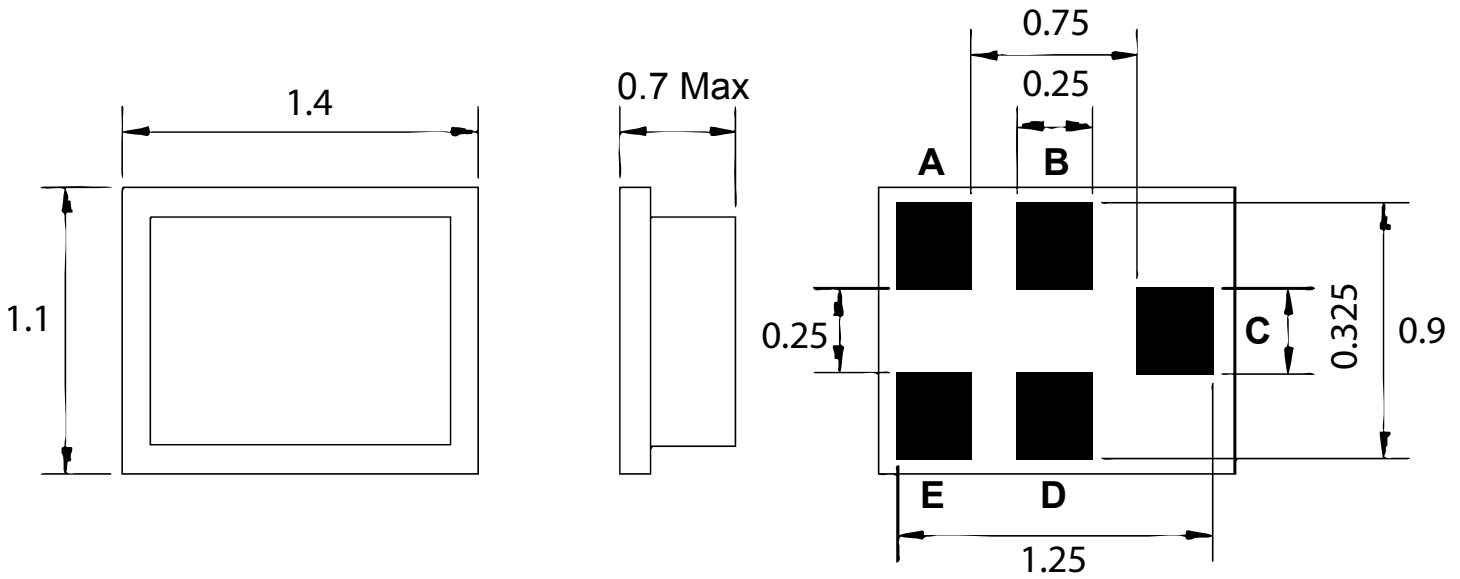
SM1411-5 Case

5-Terminal Surface-Mount Case
1.4 X 1.1 mm Nominal Footprint

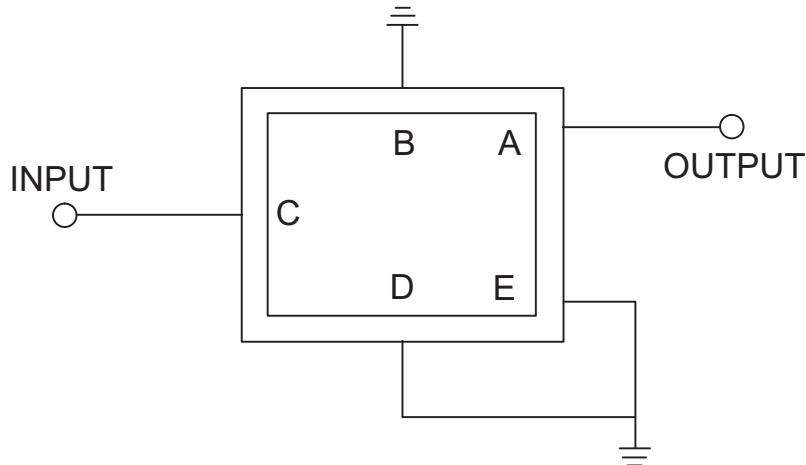


Electrical Connections

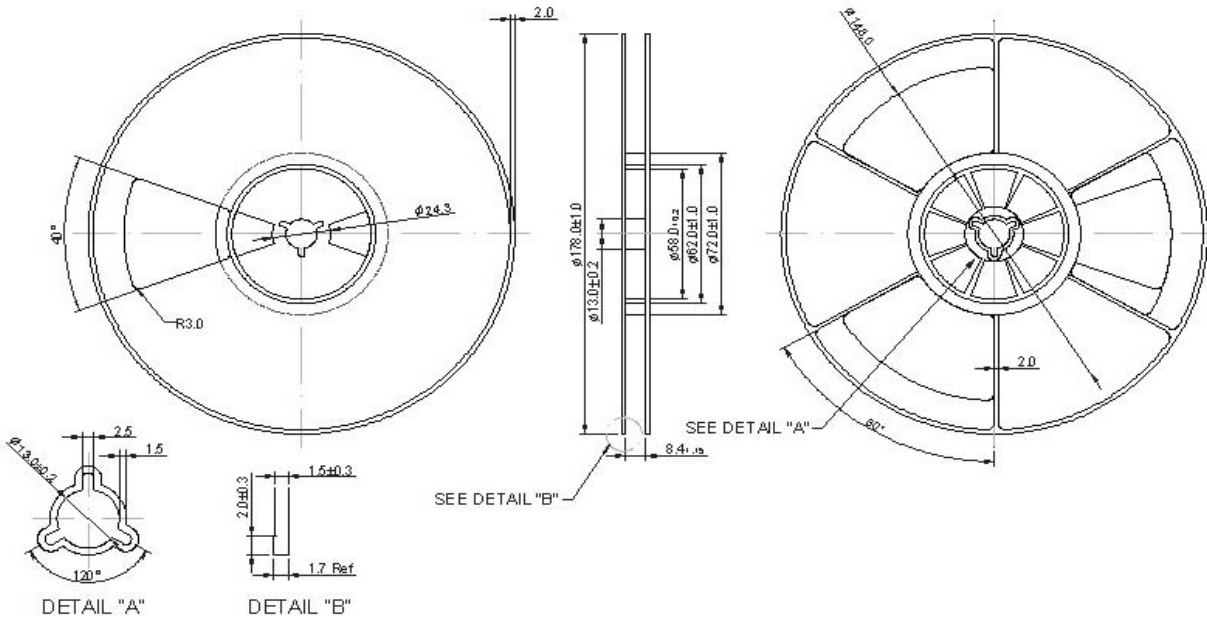
Connection	Terminals
Input	C
Output	A
Ground	B, D, E



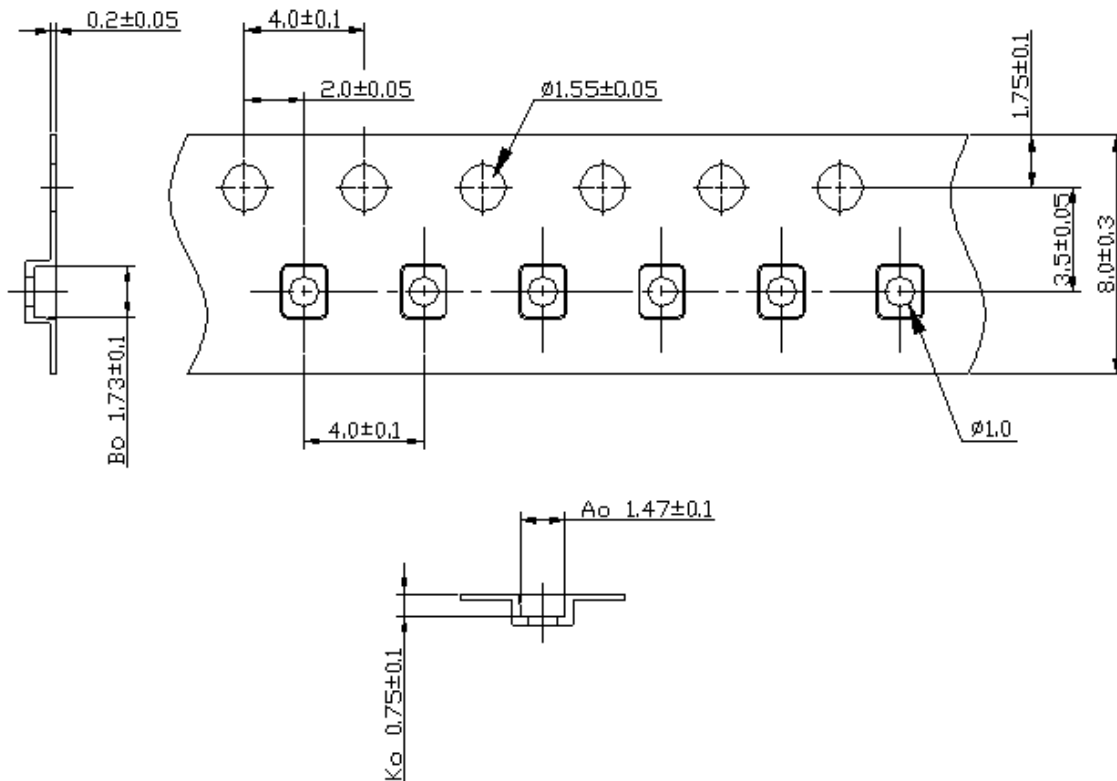
Test Configuration



Reel Dimensions - 7 inch Reel, 3000 Filters



Tape Dimensions



X-ON Electronics

Largest Supplier of Electrical and Electronic Components

Click to view similar products for [Signal Conditioning](#) category:

Click to view products by [Murata](#) manufacturer:

Other Similar products are found below :

[MAPDCC0001](#) [MAPDCC0004](#) [PD0409J5050S2HF](#) [880157](#) [HHS-109-PIN](#) [DC1417J5005AHF](#) [AFS14A30-2185.00-T3](#) [AFS14A35-1591.50-T3](#) [DS-323-PIN](#) [B39321R801H210](#) [1A0220-3](#) [JP510S](#) [LFB212G45SG8C341](#) [LFB322G45SN1A504](#) [LFL182G45TC3B746](#) [SF2159E](#) [30057](#) [FM-104-PIN](#) [CER0813B](#) [MAPDCC0005](#) [3A325](#) [40287](#) [41180](#) [ATB3225-75032NCT](#) [BD0810N50100AHF](#) [BD2425J50200AHF](#) [C5060J5003AHF](#) [JHS-115-PIN](#) [JP503AS](#) [DC0710J5005AHF](#) [DC2327J5005AHF](#) [DC3338J5005AHF](#) [43020](#) [LFB2H2G60BB1C106](#) [LFL15869MTC1B787](#) [X3C19F1-20S](#) [XC3500P-20S](#) [10013-20](#) [SF2194E](#) [CDBLB455KCAX39-B0](#) [TGL2208-SM, EVAL](#) [RF1353C](#) [1E1305-3](#) [1F1304-3S](#) [1G1304-30](#) [B0922J7575AHF](#) [2020-6622-20](#) [TP-102-PIN](#) [TP-103-PIN](#) [BD1222J50200AHF](#)