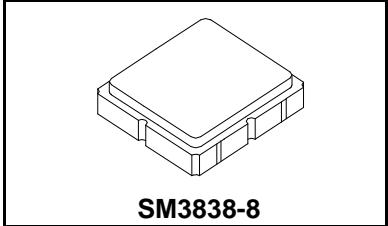


SF2024D-1

**467.751 MHz
SAW Filter**



- **Designed for SDARS Receiver IF Application**
- **Low Insertion Loss**
- **3.8 X 3.8 X 1.0 mm Surface-Mount Case**
- **Differential Input and Output**
- **Complies with Directive 2002/95/EC (RoHS)**



Absolute Maximum Ratings

Rating	Value	Units
Maximum Incident Power in Passband	+10	dBm
Max. DC voltage between any 2 terminals	30	VDC
Storage Temperature Range	-40 to +85	°C
Suitable for lead-free soldering - Max Soldering Profile	260°C for 30 s	

Electrical Characteristics

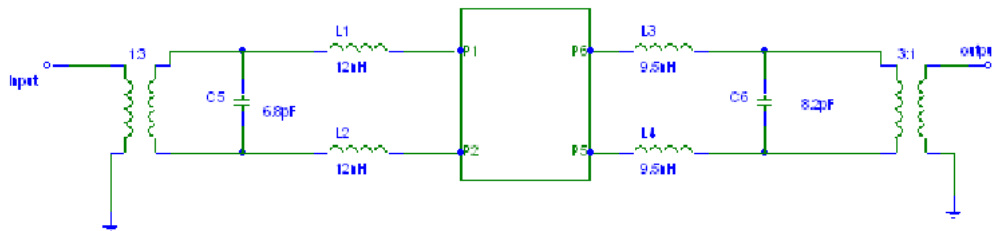
Characteristic	Sym	Notes	Min	Typ	Max	Units
Center Frequency	f_c	1	467.704	467.751	467.798	MHz
Insertion Loss	IL	1		13	15.5	dB
Amplitude Ripple (p-p)	fc-6.250 to fc-4.3925 MHz fc-4.3925 to fc-2.535 MHz fc-2.5350 to fc-0.025 MHz fc+0.025 to fc+2.535 MHz fc+2.5350 to fc+4.3925 MHz fc+4.3925 to fc+6.250 MHz	1, 2		0.7	2.0	dB
				0.8	2.0	
				0.9	2.0	
				1.1	2.0	
				1.1	2.0	
				1.2	2.0	
Pass bandwidth of -2.0dB centered at f_c				13.0		MHz
Pass bandwidth of -3 dB						
Low Side Attenuation between 455.751 to 457.251 MHz (fc-10.5 MHz)			32			dB
Low Side Attenuation $F < 455.751$ MHz			32			
High Side Attenuation between 476.751 to 479.751 MHz (fc+9.0 MHz)			20			
High Side Attenuation $F > 479.751$ MHz			32			
Temperature Coefficient of frequency					-18	ppm/K
Delay Ripple (p-p)	fc-6.250 to fc-4.3925 MHz fc-4.3925 to fc-2.535 MHz fc-2.5350 to fc-0.025 MHz fc+0.025 to fc+2.535 MHz fc+2.5350 to fc+4.3925 MHz fc+4.3925 to fc+6.250 MHz	1, 2, 3		70	110	ns
				70	140	
				75	120	
				80	120	
				80	100	
				85	140	
Source Impedance	ZS			150		Ω
Load Impedance	ZL			150		Ω
Case Style		6	SM3838-8 3.8 x 3.8 mm Nominal Footprint			
Lid Symbolization (YY=year, WW=week, S=shift) See note 4			619 YWWS			
Operating Temperature			-40		+85	°C

Notes:

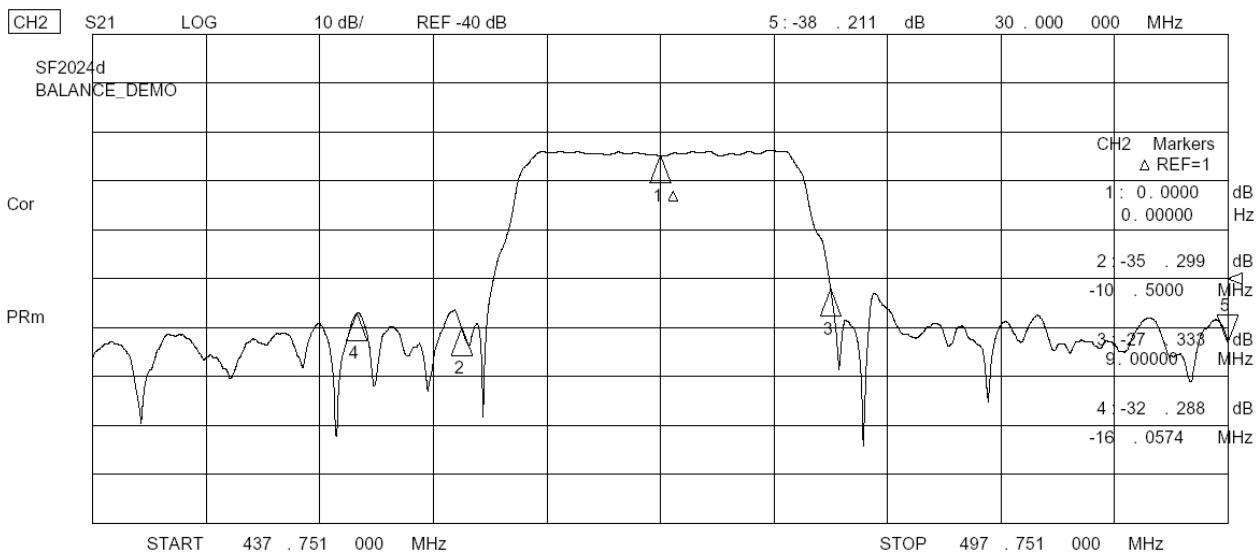
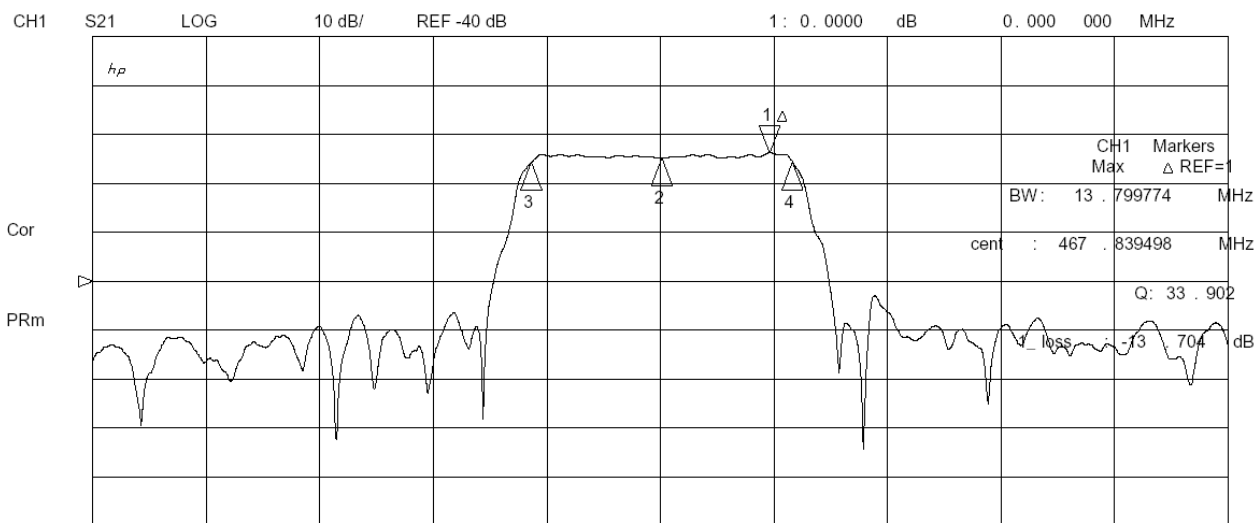
1. Unless noted otherwise, all specifications apply over the operating temperature range with filter soldered to the specified demonstration board with impedance matching to 50 Ω and measured with 50 Ω network analyzer.
2. Unless noted otherwise, all frequency specifications are referenced to the nominal center frequency, f_c .
3. Rejection is measured as attenuation below the minimum IL point in the passband. Rejection in final user application is dependent on PCB layout and external impedance matching design. See Application Note No. 42 for details.
4. The design, manufacturing process, and specifications of this filter are subject to change.

5. Tape and Reel Standard Per ANSI / EIA 481.
6. US and international patents may apply.
7. Murata, Murata stylized logo, and Murata N.A., Inc. are registered trademarks of Murata Manufacturing Co., Ltd.
8. ©Copyright 2015, Murata N.A., Inc.

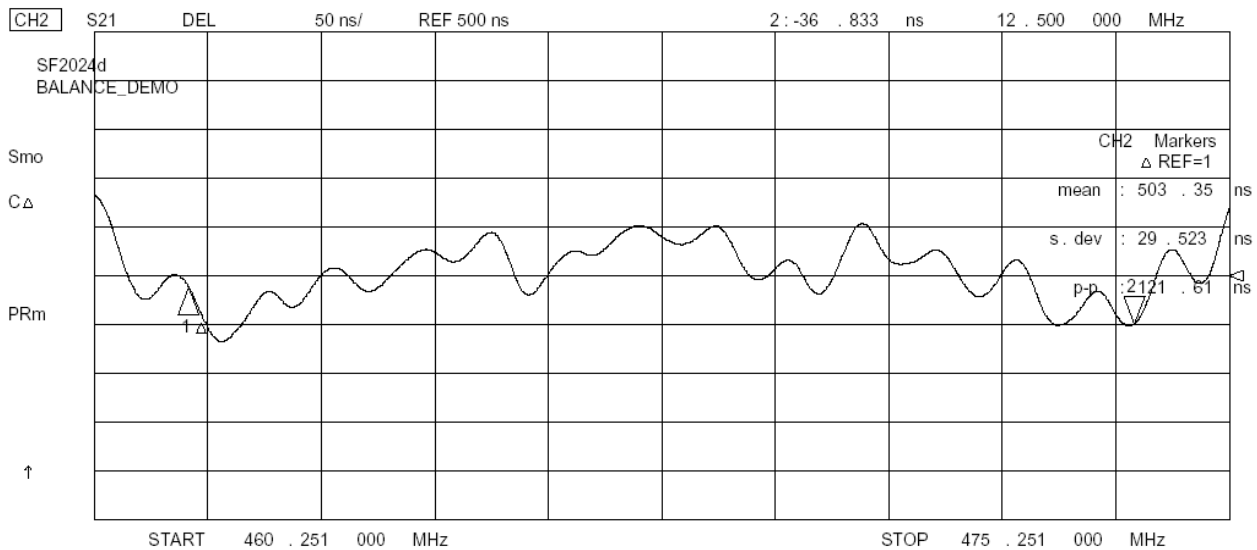
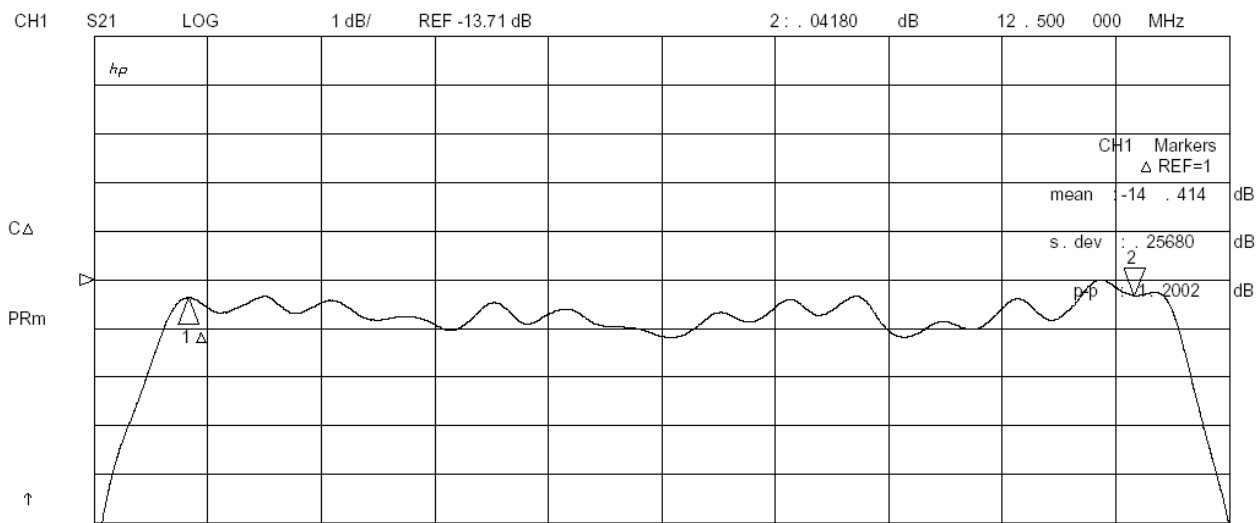
Electrostatic Sensitive Device. Observe precautions for handling



29 Aug 2005 12:18:12

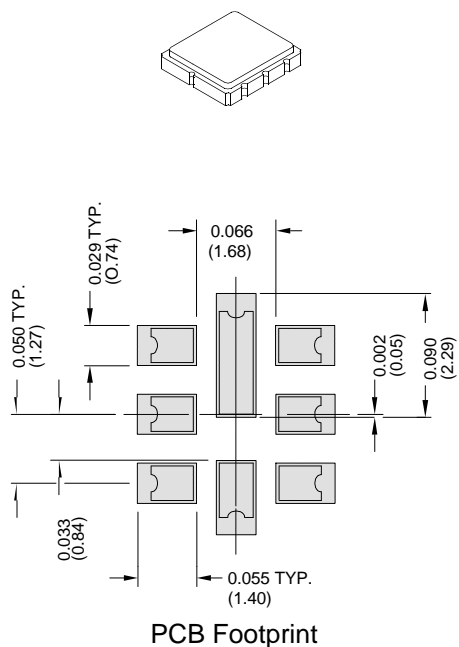


29 Aug 2005 12:21:47



SM3838-8-Thin Case

8-Terminal Ceramic Surface-Mount Case 3.8 X 3.8 mm Nominal Footprint



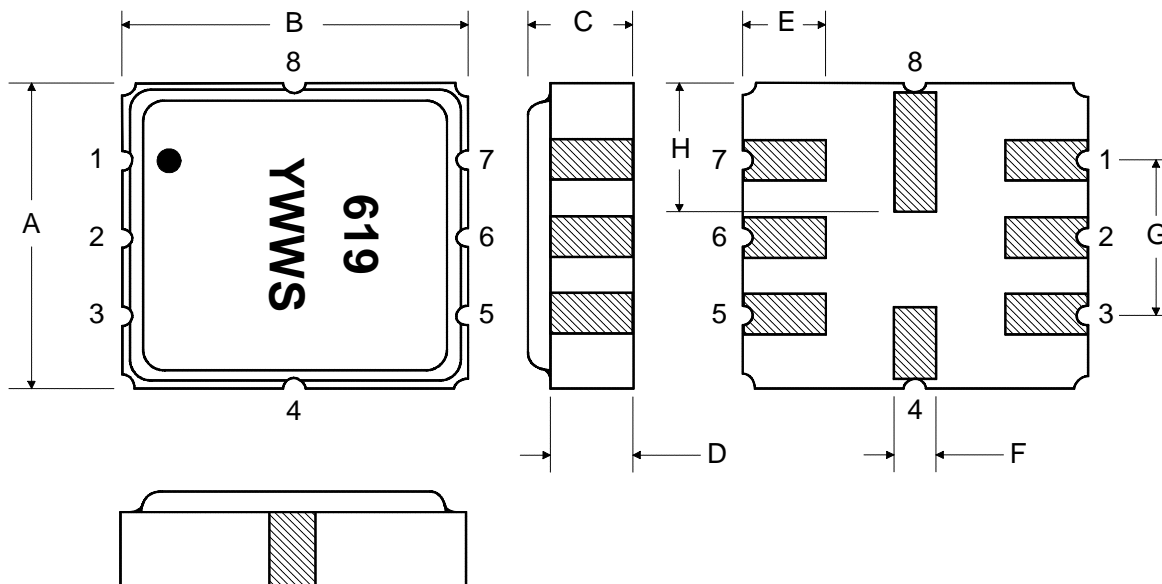
Case Dimensions						
Dimension	mm			Inches		
	Min	Nom	Max	Min	Nom	Max
A	3.6	3.8	4.0	0.142	0.150	0.157
B	3.6	3.8	4.0	0.142	0.150	0.157
C	0.90	1.00	1.1	0.035	0.040	0.043
D	0.80	0.90	1.0	0.031	0.035	0.040
E	0.90	1.00	1.10	0.035	0.040	0.043
F	0.50	0.60	0.70	0.020	0.024	0.028
G	2.39	2.54	2.69	0.090	0.100	0.110
H	1.40	1.75	2.05	0.055	0.069	0.080

Electrical Connections		
	Connection	Terminals
Port 1	Differential Input	1, 2
Port 2	Differential Output	5, 6
	Ground	All Others
Single Ended Operation		Return is Ground
Differential Operation		Return is Hot
Dot Indicates Pin 1		

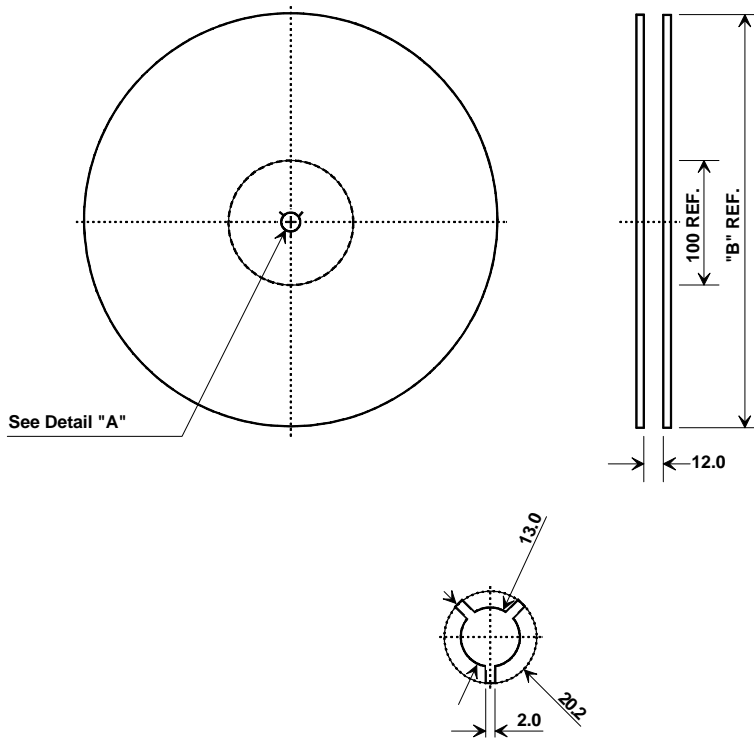
Materials	
Solder Pad Termination	Au plating 30 - 60 ulnches (76.2-152 uM) over 80-200 ulnches (203-508 uM) Ni.
Lid	Fe-Ni-Co Alloy Electroless Nickel Plate (8-11% Phosphorus) 100-200 ulnches Thick
Body	Al ₂ O ₃ Ceramic
Pb Free	

TOP VIEW

BOTTOM VIEW



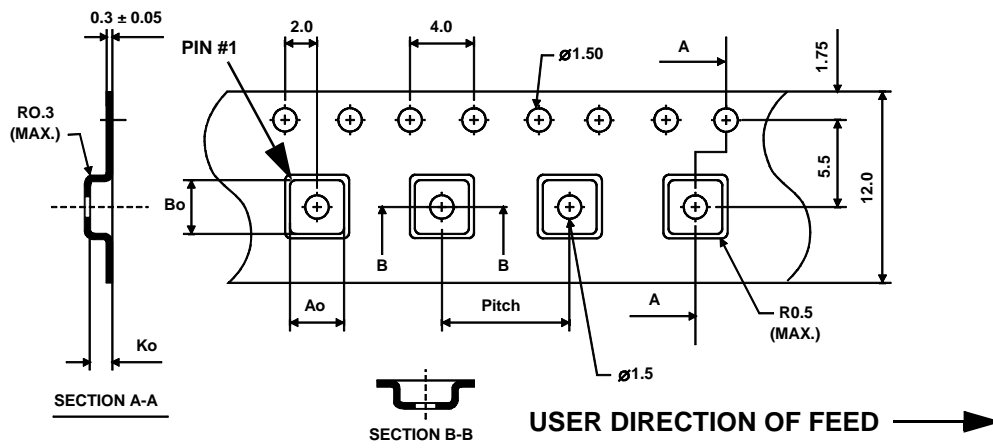
Tape and Reel Specifications



"B"		Quantity Per Reel
Nominal Size		
Inches	millimeters	
7	178	500
13	330	3000

COMPONENT ORIENTATION and DIMENSIONS

Carrier Tape Dimensions	
Ao	4.25 mm
Bo	4.25 mm
Ko	1.30 mm
Pitch	8.0 mm
W	12.0 mm



X-ON Electronics

Largest Supplier of Electrical and Electronic Components

Click to view similar products for [Signal Conditioning](#) category:

Click to view products by [Murata](#) manufacturer:

Other Similar products are found below :

[MAPDCC0001](#) [MAPDCC0004](#) [PD0409J5050S2HF](#) [880157](#) [HHS-109-PIN](#) [DC1417J5005AHF](#) [AFS14A30-2185.00-T3](#) [AFS14A35-1591.50-T3](#) [DS-323-PIN](#) [B39321R801H210](#) [1A0220-3](#) [JP510S](#) [LFB212G45SG8C341](#) [LFB322G45SN1A504](#) [LFL182G45TC3B746](#) [SF2159E](#) [30057](#) [FM-104-PIN](#) [CER0813B](#) [MAPDCC0005](#) [3A325](#) [40287](#) [41180](#) [ATB3225-75032NCT](#) [BD0810N50100AHF](#) [BD2425J50200AHF](#) [C5060J5003AHF](#) [JHS-115-PIN](#) [JP503AS](#) [DC0710J5005AHF](#) [DC2327J5005AHF](#) [DC3338J5005AHF](#) [43020](#) [LFB2H2G60BB1C106](#) [LFL15869MTC1B787](#) [X3C19F1-20S](#) [XC3500P-20S](#) [10013-20](#) [SF2194E](#) [CDBLB455KCAX39-B0](#) [TGL2208-SM, EVAL](#) [RF1353C](#) [1E1305-3](#) [1F1304-3S](#) [1G1304-30](#) [B0922J7575AHF](#) [2020-6622-20](#) [TP-102-PIN](#) [TP-103-PIN](#) [BD1222J50200AHF](#)