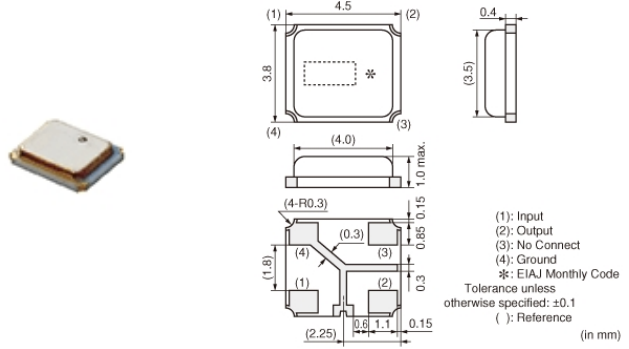


SFSCE10M7WF04-R0



Appearance & Shape



Features

SFSCE series are chip surface mount filters available for 3dB bandwidth at 700kHz to 1.3MHz (more than twice width compared with current types). They have 1.0mm max. thickness and small mounting area (4.5x3.8mm).

- Features**
1. The filters are mountable by automatic placers.
 2. They are slim, at only 1.0mm max. thickness, and have a small mounting area (4.5x3.8mm) enabling flexible PCB design.
 3. Available lead (Pb) free solder reflow.
 4. Operating temperature range: -20 to +80 (degrees C), Storage temperature range: -40 to +85 (degrees C)

Applications

| | |
|-------------|-------------------------|
| Other Usage | Communication Equipment |
|-------------|-------------------------|

Packaging Information

| Packaging | Specifications | Standard Packing Quantity |
|-----------|---------------------|---------------------------|
| -R0 | 180mm Embossed Tape | 1500 |

Attention

1. This datasheet is downloaded from the website of Murata Manufacturing Co., Ltd. Therefore, its specifications are subject to change or our products in it may be discontinued without advance notice. Please check with our sales representatives or product engineers before ordering.
2. This datasheet has only typical specifications because there is no space for detailed specifications. Therefore, please review our product specifications or consult the approval sheet for product specifications before ordering.

SFSCE10M7WF04-R0



Specifications

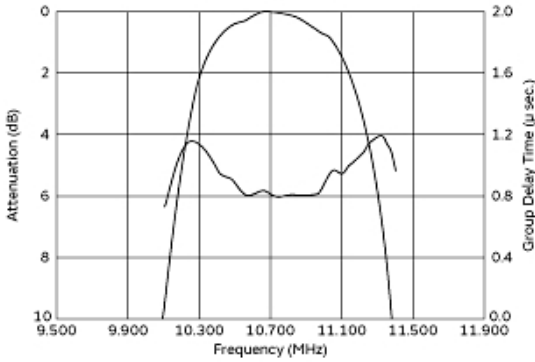
| | |
|-----------------------------|--|
| Operating Temperature Range | -20°C to 80°C |
| Shape | SMD |
| Elements | 2 |
| Center Frequency | 10.700MHz |
| Nominal Center Value | Yes |
| 3dB Bandwidth | $f_n \pm 400.0 \text{kHzmin.}$ |
| Stop Bandwidth | 1.8MHz |
| Area of Stop Bandwidth | [within 20dB] |
| Spurious Attenuation | 25dB[within 5.7MHz to f_n / f_n to 15.7MHz] |
| Insertion Loss | 6.0dB[at minimum loss point] |
| Ripple | 1.5dB[within 3dB Bandwidth] |
| GDT Deviation | 0.6 μs [within $f_n \pm 325 \text{kHz}$] |
| Input/Output Impedance | 470 Ω |
| Mass | 44.91mg |

Attention

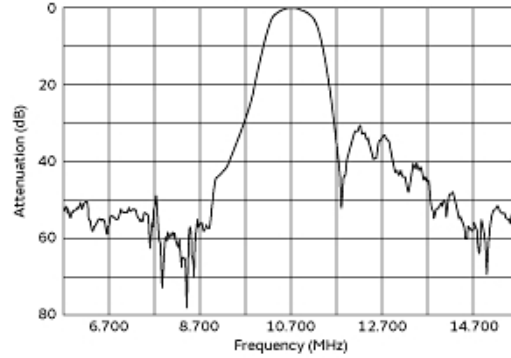
- 1.This datasheet is downloaded from the website of Murata Manufacturing Co., Ltd. Therefore, it's specifications are subject to change or our products in it may be discontinued without advance notice. Please check with our sales representatives or product engineers before ordering.
- 2.This datasheet has only typical specifications because there is no space for detailed specifications. Therefore, please review our product specifications or consult the approval sheet for product specifications before ordering.

SFSCE10M7WF04-R0

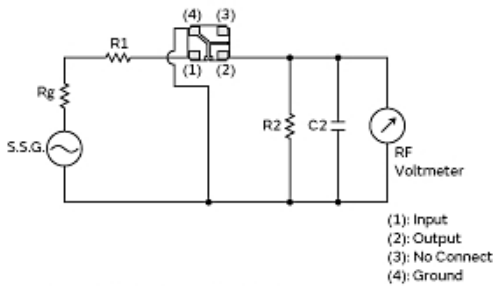
Product Data



Frequency Characteristics



Spurious Response



R1+Rg=R2=Input/Output Impedance, Rg=50Ω
C2=10pF (including stray capacitance and Input capacitance of RF Voltmeter)
E1: S.S.G. Output Voltage

Measurement Circuit

Attention

- 1.This datasheet is downloaded from the website of Murata Manufacturing Co., Ltd. Therefore, it's specifications are subject to change or our products in it may be discontinued without advance notice. Please check with our sales representatives or product engineers before ordering.
- 2.This datasheet has only typical specifications because there is no space for detailed specifications. Therefore, please review our product specifications or consult the approval sheet for product specifications before ordering.

X-ON Electronics

Largest Supplier of Electrical and Electronic Components

Click to view similar products for [Signal Conditioning](#) category:

Click to view products by [Murata](#) manufacturer:

Other Similar products are found below :

[MAPDCC0001](#) [MAPDCC0004](#) [PD0409J5050S2HF](#) [880157](#) [HHS-109-PIN](#) [DC1417J5005AHF](#) [AFS14A30-2185.00-T3](#) [AFS14A35-1591.50-T3](#) [DS-323-PIN](#) [B39321R801H210](#) [1A0220-3](#) [JP510S](#) [LFB212G45SG8C341](#) [LFB322G45SN1A504](#) [LFL182G45TC3B746](#) [SF2159E](#) [30057](#) [FM-104-PIN](#) [CER0813B](#) [MAPDCC0005](#) [3A325](#) [40287](#) [41180](#) [ATB3225-75032NCT](#) [BD0810N50100AHF](#) [C5060J5003AHF](#) [JHS-115-PIN](#) [JP503AS](#) [DC0710J5005AHF](#) [DC2327J5005AHF](#) [DC3338J5005AHF](#) [43020](#) [LFB2H2G60BB1C106](#) [LFL15869MTC1B787](#) [X3C19F1-20S](#) [XC3500P-20S](#) [10013-20](#) [SF2194E](#) [CDBLB455KCAX39-B0](#) [TGL2208-SM, EVAL](#) [RF1353C](#) [1E1305-3](#) [1F1304-3S](#) [1G1304-30](#) [B0922J7575AHF](#) [2020-6622-20](#) [10017-3](#) [TP-102-PIN](#) [TP-103-PIN](#) [BD1222J50200AHF](#)