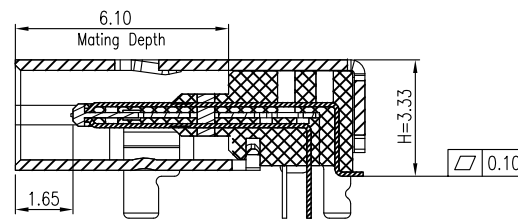
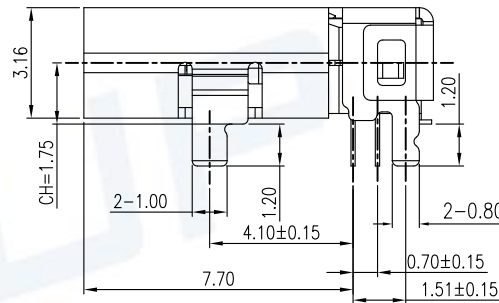
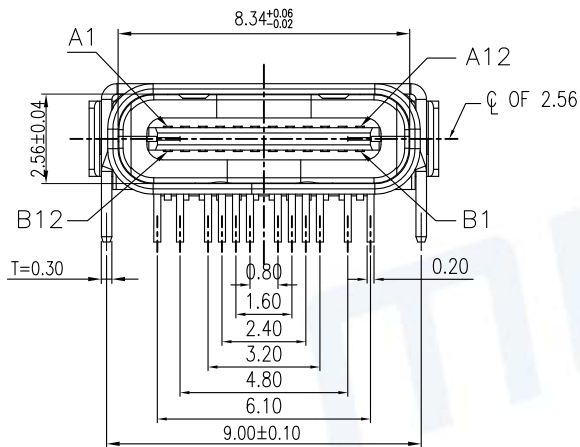
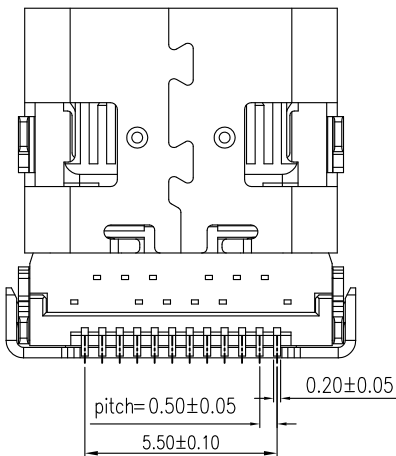


RECOMMENDED P.C.B. LAYOUT
TOLERANCE UNSPECIFIED ±0.05mm



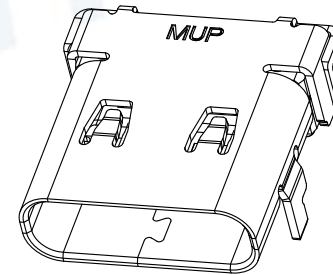
SECTION A-A



REV.	DESCRIPTION OF REVISIONS	APPR.	CHKD.	DRAW.	DATE
1	Original reversion	lucky	lucky	Roy	2020/12/25
2	Change product model No.	lucky	lucky	Roy	2023/10/25

NOTE:

- MECHANICAL:
 - MATING FORCE: 0.5~2.0Kg
 - UMMATING FORCE: Initial: 0.8~2.0Kg
After 500 to 10,000cycles: 0.6~2.0Kg
 - FREQUENCY: 500±50 CYCLES/HOUR, 10000 CYCLES;
- ELECTRICAL CHARACTERISTICS:
 - CURRENT RATING: 1.25A/PIN FOR FOR VBUS AND GND
0.25 A FOR OTHER PINS
 - INITIAL CONTACT RESISTANCE: 40mΩ Max.
 - INSULATION RESISTANCE: 100MΩ MIN
 - WITHSTANDING VOLTAGE: 100V AC, 1 MINUTE;
- ENVIRONMENTAL
TEMPERATURE RANGE: -40°C TO +85°C.



A1	GND	B12	GND
A2	SSTXP1	B11	SSRXP1
A3	SSTXN1	B10	SSRXN1
A4	VBUS	B9	VBUS
A5	CC1	B8	SBU2
A6	DP1	B7	DN2
A7	DN1	B6	DP2
A8	SBU1	B5	CC2
A9	VBUS	B4	VBUS
A10	SSRXN2	B3	SSTXN2
A11	SSRXP2	B2	SSTXP2
A12	GND	B1	GND
PIN	SIGNAL NAME	PIN	SIGNAL NAME

ITEM	PART NAME	Q'TY	MATERIAL	FINISH
1	Molding	1	THERMOPLASTIC	Black, UL94V-0
2	CONTACT	24	HIGH CONDUCTIVITY COPPER	Contact area: Au 3u"
3	SHELL	1	STAINLESS STEEL	Ni plated over all
4	MID-PLATE	1	STAINLESS STEEL	Cleaning

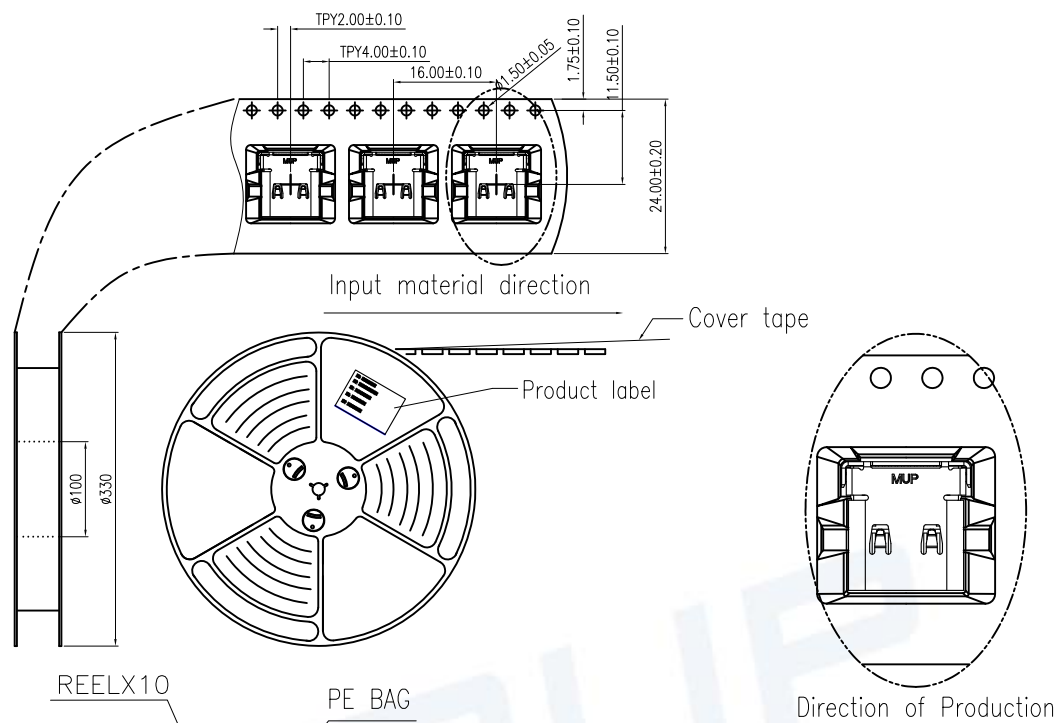
Unless otherwise specified, other tolerance are:

MUP MUP INDUSTRIAL CO.,LTD.

X	±0.40	X'	±5'	NAME:	USB Type C Hybrid Right-Angle Receptacle	
X.X	±0.30	X.X'	±4'	MODEL NO.:	MUP-U20003-01	
X.XX	±0.20	X.XX'	±3'	TYPE :	24Pin & USB 3.1 Without GND-PLATE L=10.0	
X.XXX	±0.10	X.XXX'	±2'	PROJ.	UNIT	SCALE
PROJ.	UNIT	SCALE	DRAW	Roy	2020/12/25	DWG NO.:
CHECKED	lucky	2020/12/25	CHECKED	lucky	2020/12/25	DWG-U20003-01-01
APPROVAL	lucky	2020/12/25	APPROVAL	lucky	2020/12/25	SHEET
						REVISION
						1/2
						2

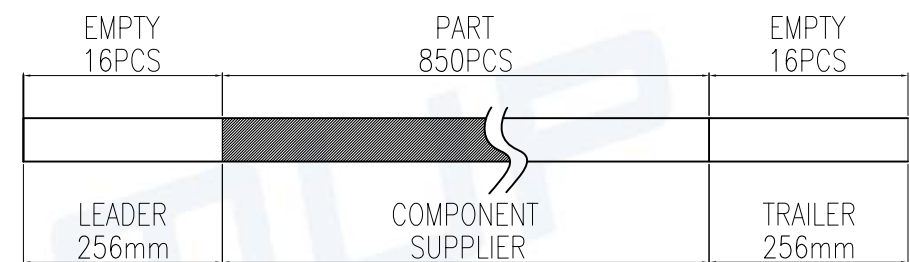


REV.	DESCRIPTION OF REVISIONS	APPR.	CHKD.	DRAW.	DATE
△	Original reversion	lucky	lucky	Roy	2020/12/25
△	Change product model No.	lucky	lucky	Roy	2023/10/25

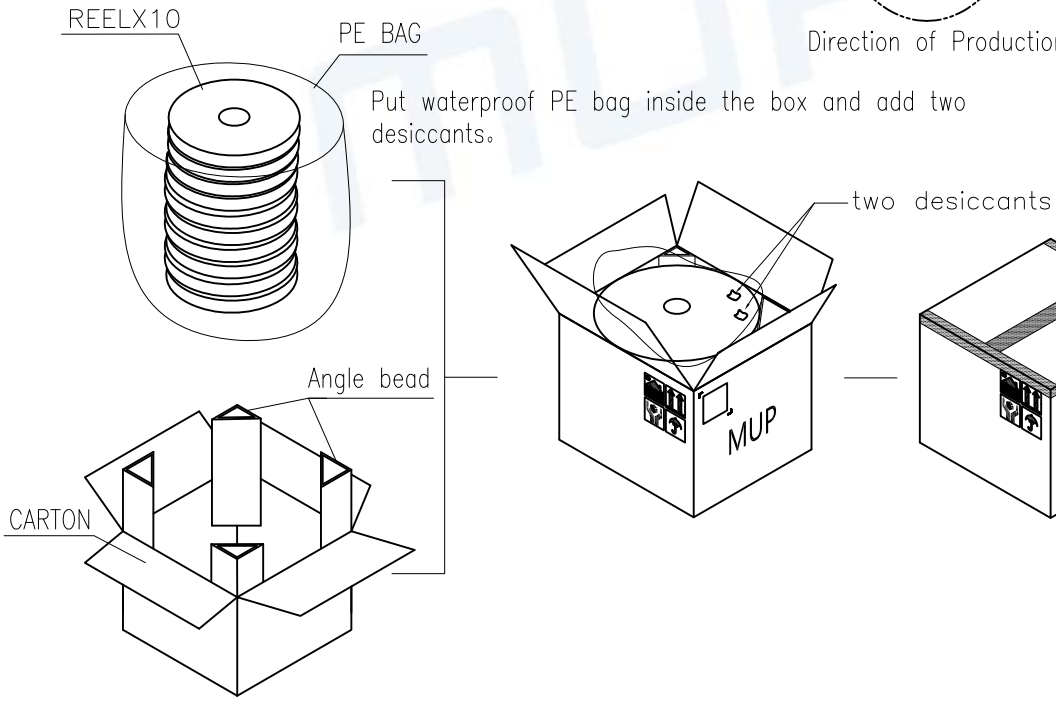


NOTES

1. NUMBER OF CONNECTORS:850PCS/REEL
2. LEAD TAPE LENGTH



3. QUANTITY:8500/CARTON
4. WEIGHT :
 - 4.1 NET WEIGHT : 5.54 Kg
 - 4.2 GROSS WEIGHT : 10.1 Kg
- 5.Meas:350Lx350Wx315H mm



Unless otherwise specified, other tolerance are:		MUP MUP INDUSTRIAL CO.,LTD.			
X ±0.40	X* ±5°	NAME: USB Type C Hybrid Right-Angle Receptacle			
X.X ±0.30	X.X* ±4°	MODEL NO: MUP-U20003-01			
X.XX ±0.20	X.XX* ±3°	TYPE : 24Pin & USB 3.1 Without GND-PLATE L=10.0			
X.XXX ±0.10	X.XXX* ±2°	PROJ.	UNIT	SCALE	DRAW
			mm	1:1	Roy 2020/12/25
CUSTOMER DRAWING		APPROVAL	lucky 2020/12/25	DWG NO.:	DWG-U20003-01-01
				SHEET	2/2
				REVISION	2

X-ON Electronics

Largest Supplier of Electrical and Electronic Components

Click to view similar products for [USB Connectors](#) category:

Click to view products by [Murata](#) manufacturer:

Other Similar products are found below :

[950](#) [MUSBD11135](#) [17-200721](#) [217450-1](#) [KMBVX-TH-5S-B30](#) [KUSBX-AS2N-W](#) [KUSBX-SMT2AP1S-W30](#) [935](#) [957](#) [30-498-6](#) [SK-60A-2](#)
[1734082-1](#) [30-470](#) [30-489](#) [30-541](#) [A-USB A-2P-C](#) [MIKROE-1451](#) [USBFTVSCCG](#) [1-1734084-2](#) [10135326-001LF](#) [4198](#) [USB-A-D-VT](#)
[USB-A-S-RA-TSMT](#) [1310-1023-02](#) [690-024-633-031](#) [UB-20PMFP-LC7001](#) [17-200011](#) [UB-20AFMM-LL7A01](#) [1040870124](#) [CAP-](#)
[WCCMLPB1](#) [CAP-WCCMLPC1](#) [2274475-3](#) [UB-20BMFA-SL8001](#) [914-614A2025S10200](#) [USB3FTV7SAGF059](#) [ZX40-B-5S-1500-](#)
[STDA\(30\)](#) [GSB3116344HR](#) [USB3FTV2SAZNF459](#) [USB3FTV7SAZNF459](#) [U221-041N-1WVS62-F5D](#) [HYCW153-USBD05-500B](#)
[HYCW219-USBD05-075B](#) [HYCW148-USBD05-117B](#) [HYCW149-USBD05-740B](#) [HYCW204-USBD05-108B](#) [HYCW214-USBA04-113B](#)
[HYCW213-USBA04-113B](#) [UB-20AMFM-SL7A01](#) [KMMX-BSMT35S-1-B30TR](#) [2345986-1](#)