

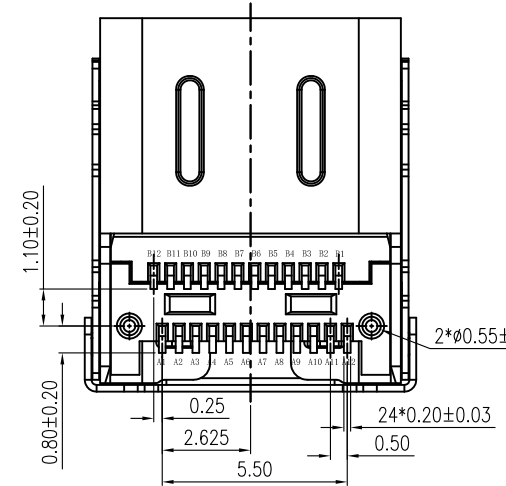
| | | | |
|-----|-------------|-----|-------------|
| A1 | GND | B12 | GND |
| A2 | SSTXP1 | B11 | SSRXP1 |
| A3 | SSTXN1 | B10 | SSRXN1 |
| A4 | VBUS | B9 | VBUS |
| A5 | CC1 | B8 | SBU2 |
| A6 | DP1 | B7 | DN2 |
| A7 | DN1 | B6 | DP2 |
| A8 | SBU1 | B5 | CC2 |
| A9 | VBUS | B4 | VBUS |
| A10 | SSRXN2 | B3 | SSTXN2 |
| A11 | SSRXP2 | B2 | SSTXP2 |
| A12 | GND | B1 | GND |
| PIN | SIGNAL NAME | PIN | SIGNAL NAME |

| Model No. | Contact plating | Color |
|---------------|-----------------|-------|
| MUP-U20205-01 | Au: 3u" | Black |
| MUP-U20205-04 | Au: 15u" | Black |
| MUP-U20205-05 | Au: 3u" | Blue |

| ITEM | PART NAME | Q'TY | MATERIAL | FINISH |
|------|-------------|------|--------------------------|------------------------------|
| 1 | Molding | 1 | THERMOPLASTIC | Black or Blue, UL94V-0 |
| 2 | CONTACT | 24 | HIGH CONDUCTIVITY COPPER | Contact area: Au 3u" or 15u" |
| 3 | MID-PLATE | 1 | STAINLESS STEEL | Cleaning |
| 4 | TOP SHELL | 1 | STAINLESS STEEL | Ni plated over all |
| 5 | OUTER SHELL | 1 | STAINLESS STEEL | Ni plated over all |

NOTE:

- MECHANICAL:
 - 1-1.MATING FORCE: 0.5~2.0Kg
 - 1-2.UMMATING FORCE: Initial: 0.8~2.0Kg
After 500 to 10,000cycles: 0.6~2.0Kg
 - 1-3.FREQUENCE:500±50 CYCLES/HOUR,10000 CYCLES;
- ELECTRICAL CHARACTERISTICS:
 - 2-1. CURRENT RATING: 1.25A/PIN FOR FOR VBUS AND GND
0.25 A FOR OTHER PINS
 - 2-2. INITIAL CONTACT RESISTANCE:40mΩ Max.
 - 2-3. INSULATION RESISTANCE:100MΩ MIN
 - 2-4. WITHSTANDING VOLTAGE:100V AC,1 MINUTE;
- ENVIRONMENTAL
TEMPERATRUE RANGE: -40°C TO +85°C.



Unless otherwise specified, other tolerance are:

MUP MUP INDUSTRIAL CO.,LTD.

NAME: **USB Type C Dual-Row SMT Receptacle**

MODEL NO: **MUP-U20205-XX**

TYPE : **24P & USB 3.1 Board center height 3.40**

| | | | | | | |
|------------------|------|-------|----------|-------|------------|------------------|
| PROJ. | UNIT | SCALE | DRAW | Roy | 2020/02/15 | DWG NO.: |
| ① | mm | 1:1 | CHECKED | lucky | 2020/02/15 | DWG-U20205-XX-01 |
| CUSTOMER DRAWING | | | APPROVAL | lucky | 2020/02/15 | SHEET |
| | | | | | 1/2 | REVISION |
| | | | | | | 4 |

| REV. | DESCRIPTION OF REVISIONS | APPR. | CHKD. | DRAW. | DATE |
|------|-------------------------------------|-------|-------|-------|------------|
| △1 | Original reversion | lucky | lucky | Roy | 2020/02/15 |
| △2 | Add RECEPTACLE&PLUG MATED CONTITION | lucky | lucky | Roy | 2021/05/13 |
| △3 | Add PART NO. | lucky | lucky | Roy | 2022/03/04 |
| △4 | Change product model No. | lucky | lucky | Roy | 2023/10/25 |

| REV. | DESCRIPTION OF REVISIONS | APPR. | CHKD. | DRAW. | DATE |
|------|-------------------------------------|-------|-------|-------|------------|
| △ | Original reversion | lucky | lucky | Roy | 2020/02/15 |
| △ | Add RECEPTACLE&PLUG MATED CONTITION | lucky | lucky | Roy | 2021/05/13 |
| △ | Add PART NO. | lucky | lucky | Roy | 2022/03/04 |
| △ | Change product model No. | lucky | lucky | Roy | 2023/10/25 |

NOTES

1. NUMBER OF CONNECTORS:600PCS/REEL
2. LEAD TAPE LENGTH

| EMPTY 12PCS | PART 600PCS | EMPTY 12PCS |
|-----------------|-----------------------|------------------|
| LEADER 196mm | COMPONENT SUPPLIER | TRAILER 196mm |

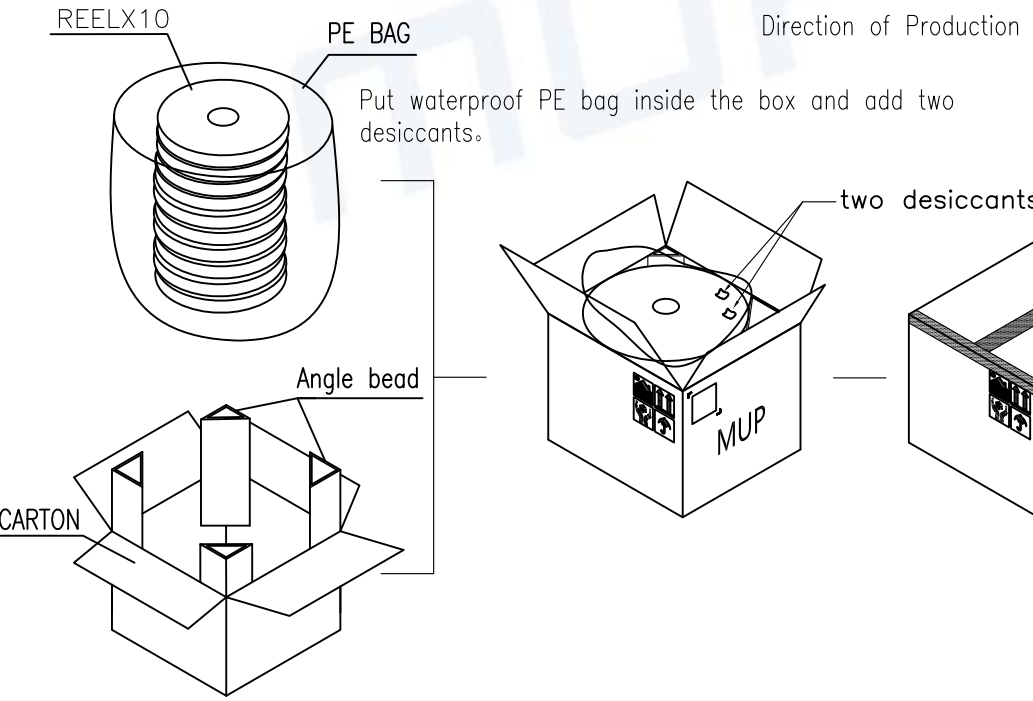
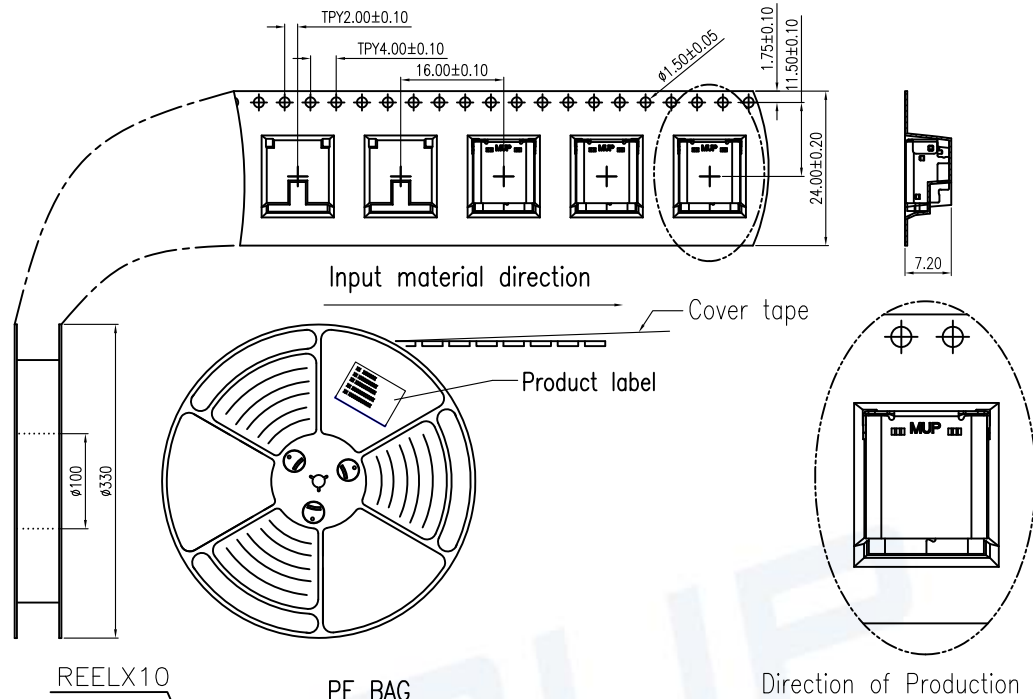
3. QUANTITY:6000/CARTON

4. WEIGHT :

4.1 NET WEIGHT : 6.52 Kg

4.2 GROSS WEIGHT : 10.7 Kg

5.Meas:350Lx350Wx315H mm



| | | | | | |
|--|------------|--|------|------------------|------------------------------|
| Unless otherwise specified, other tolerance are: | | MUP [®] MUP INDUSTRIAL CO.,LTD. | | | |
| X ±0.40 | X' ±5' | NAME: USB Type C Dual-Row SMT Receptacle | | | |
| X.X ±0.30 | X.X' ±4' | MODEL NO: MUP-U20205-XX | | | |
| X.XX ±0.20 | X.XX' ±3' | TYPE : 24P & USB 3.1 Board center height 3.40 | | | |
| X.XXX ±0.10 | X.XXX' ±2' | PROJ. | UNIT | SCALE | DRAW |
| | | ① | mm | 1:1 | Roy 2020/02/15 |
| CUSTOMER DRAWING | | APPROVAL | | lucky 2020/02/15 | DWG NO.: DWG-U20205-XX-01 |
| | | | | SHEET | REVISION |
| | | | | 2/2 | 4 |



X-ON Electronics

Largest Supplier of Electrical and Electronic Components

Click to view similar products for [USB Connectors](#) category:

Click to view products by [Murata](#) manufacturer:

Other Similar products are found below :

[950](#) [MUSBD11135](#) [17-200721](#) [217450-1](#) [KMBVX-TH-5S-B30](#) [KUSBX-AS2N-W](#) [KUSBX-SMT2AP1S-W30](#) [935](#) [957](#) [30-498-6](#) [SK-60A-2](#)
[1734082-1](#) [30-470](#) [30-489](#) [30-541](#) [A-USB A-2P-C](#) [MIKROE-1451](#) [USBFTVSCCG](#) [1-1734084-2](#) [10135326-001LF](#) [4198](#) [USB-A-D-VT](#)
[USB-A-S-RA-TSMT](#) [1310-1023-02](#) [690-024-633-031](#) [UB-20PMFP-LC7001](#) [17-200011](#) [UB-20AFMM-LL7A01](#) [1040870124](#) [CAP-](#)
[WCCMLPB1](#) [CAP-WCCMLPC1](#) [2274475-3](#) [UB-20BMFA-SL8001](#) [914-614A2025S10200](#) [USB3FTV7SAGF059](#) [ZX40-B-5S-1500-](#)
[STDA\(30\)](#) [GSB3116344HR](#) [USB3FTV2SAZNF459](#) [USB3FTV7SAZNF459](#) [U221-041N-1WVS62-F5D](#) [HYCW153-USBD05-500B](#)
[HYCW219-USBD05-075B](#) [HYCW148-USBD05-117B](#) [HYCW149-USBD05-740B](#) [HYCW204-USBD05-108B](#) [HYCW214-USBA04-113B](#)
[HYCW213-USBA04-113B](#) [UB-20AMFM-SL7A01](#) [KMMX-BSMT35S-1-B30TR](#) [2345986-1](#)