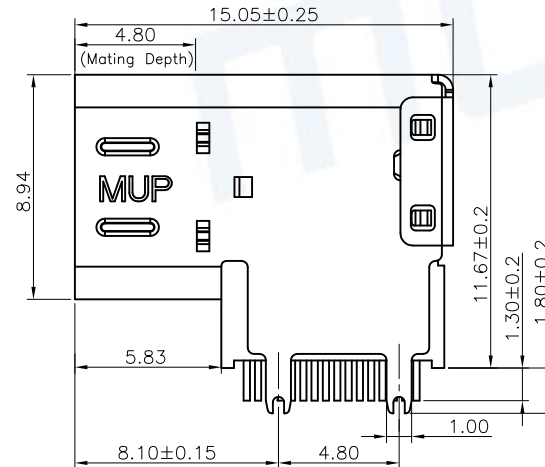
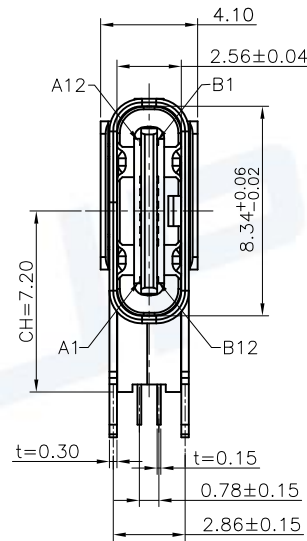
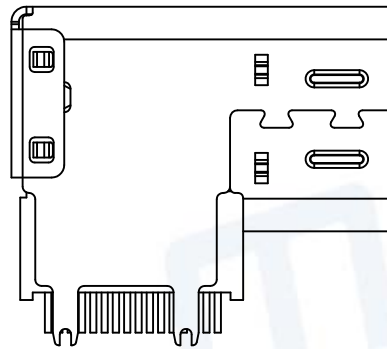
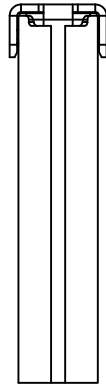
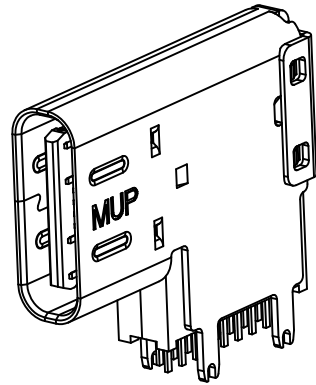


REV.	DESCRIPTION OF REVISIONS	APPR.	CHKD.	DRAW.	DATE
△	Original reversion	lucky	lucky	Roy	2021/04/02
△	Change specifications	lucky	lucky	Roy	2023/10/09
△	Change product model No.	lucky	lucky	Roy	2023/10/25

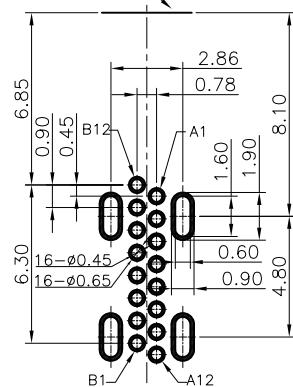
NOTE:

- MECHANICAL:
  - MATING FORCE: 0.5~2.0Kgf
  - UMMATING FORCE: Initial: 0.8~2.0Kgf  
After 500 to 10,000cycles: 0.6~2.0Kgf
  - FREQUENCE: 500±50 CYCLES/HOUR, 10000 CYCLES;
- ELECTRICAL CHARACTERISTICS:
  - CURRENT RATING: 5.0A Max.
  - INITIAL CONTACT RESISTANCE: 40mΩ Max.
  - INSULATION RESISTANCE: 100MΩ MIN AT 500V DC
  - WITHSTANDING VOLTAGE: 100V AC, 1 MINUTE;
- ENVIRONMENTAL  
TEMPERATURE RANGE: -40°C TO +85°C.

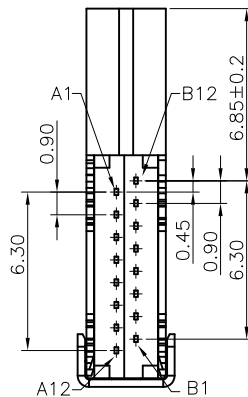


A1	GND	B12	GND
A4	VBUS	B9	VBUS
A5	CC1	B8	SBU2
A6	DP1	B7	DN2
A7	DN1	B6	DP2
A8	SBU1	B5	CC2
A9	VBUS	B4	VBUS
A12	GND	B1	GND
PIN	SIGNAL NAME	PIN	SIGNAL NAME

PCB EDGE



RECOMMENDED P.C.B. LAYOUT  
TOLERANCE UNSPECIFIED ±0.05mm



ITEM	PART NAME	Q'TY	MATERIAL	FINISH
1	Molding	1	THERMOPLASTIC	Black, UL94V-0
2	CONTACT	16	HIGH CONDUCTIVITY COPPER	Contact area: Au: 3u"
3	SHELL	1	STAINLESS STEEL	Ni plated over all
4	MID-PLATE	1	STAINLESS STEEL	RINSE

Unless otherwise specified, other tolerance are:

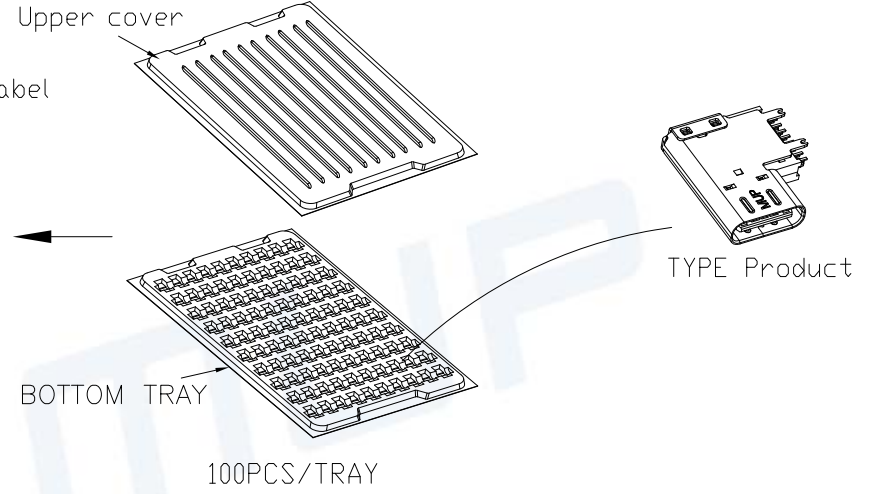
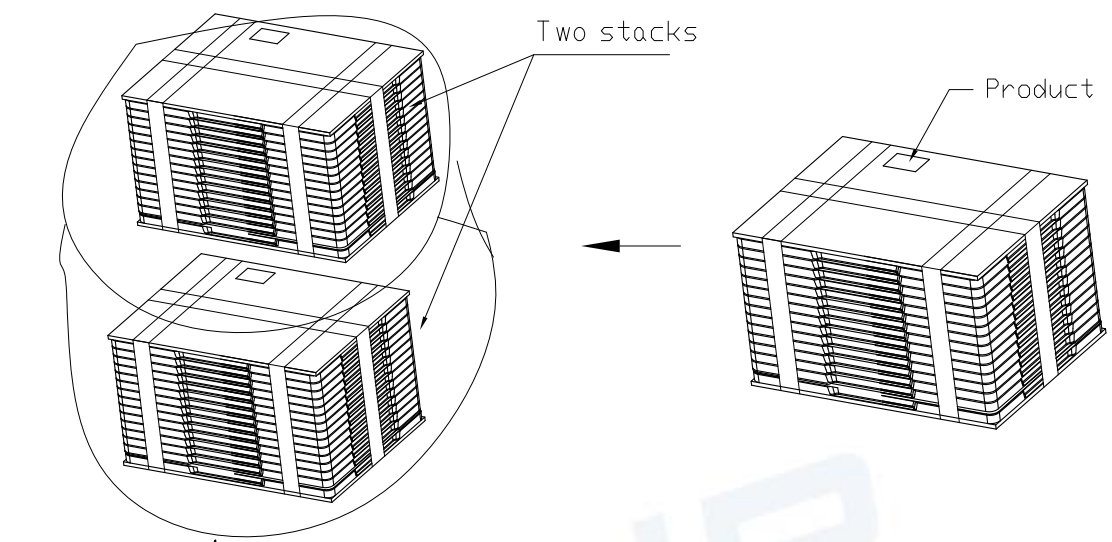
**MUP** MUP INDUSTRIAL CO.,LTD.

X ±0.40 X\* ±5\*  
 X.X ±0.30 X.X\* ±4\*  
 X.XX ±0.20 X.XX\* ±3\*  
 X.XXX ±0.10 X.XXX\* ±2\*

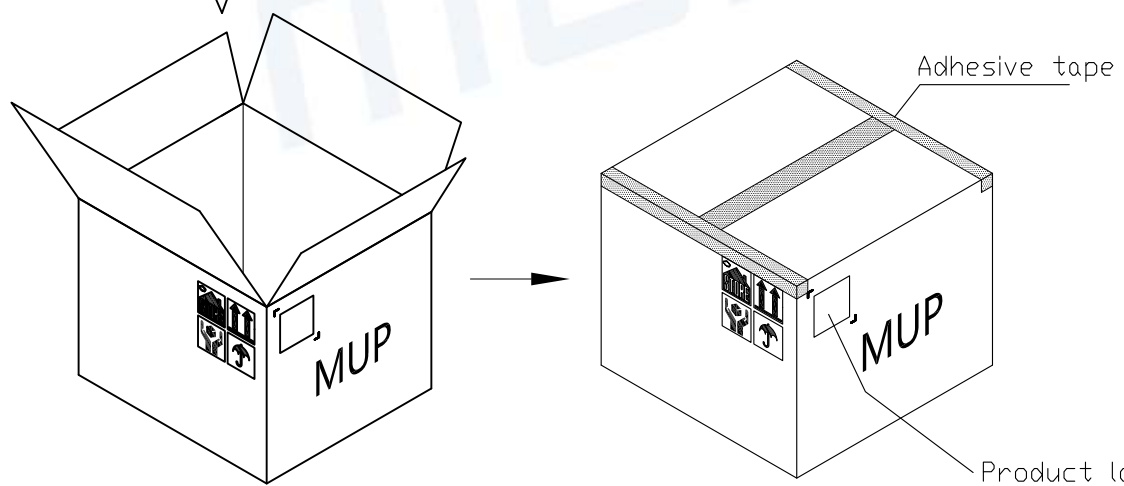
NAME: **USB Type C Vertical Mount Receptacle**  
 MODEL NO: **MUP-U23401-02**  
 TYPE: **16Pin & Shell feet of Straight & CH=7.2**

PROJ.	UNIT	SCALE	DRAW	DWG NO.:
①	mm	1:1	Roy 2021/04/02	DWG-U23401-02-01
CUSTOMER DRAWING			CHECKED	SHEET
			lucky 2021/04/02	1/2
			APPROVAL	REVISION
			lucky 2021/04/02	3

REV.	DESCRIPTION OF REVISIONS	APPR.	CHKD.	DRAW.	DATE
△	Original reversion	lucky	lucky	Roy	2021/04/02
△	Change specifications	lucky	lucky	Roy	2023/10/09
△	Change product model No.	lucky	lucky	Roy	2023/10/25



Note: You should put two desiccants in each PE bag



QUANTITY: 4600/CARTON

NOTES

1. You should put two desiccants in each PE bag
2. NUMBER OF CONNECTORS: 100PCS/TRAY
3. QUANTITY: 4600/CARTON
4. Corresponding to each box location must be labeled

Unless otherwise specified, other tolerance are:			<b>MUP</b> MUP INDUSTRIAL CO.,LTD.		
X ±0.40	X' ±5'	NAME: <b>USB Type C Vertical Mount Receptacle</b>			
X.X ±0.30	X.X' ±4'	MODEL NO: <b>MUP-U23401-02</b>			
X.XX ±0.20	X.XX' ±3'	TYPE: <b>16Pin &amp; Shell feet of Straight &amp; CH=7.2</b>			
X.XXX ±0.10	X.XXX' ±2'	PROJ.	UNIT	SCALE	DRAW
		⊕	mm	1:1	Roy 2021/04/02
CUSTOMER DRAWING			CHECKED	APPROVAL	DWG NO.: DWG-U23401-02-01
			lucky 2021/04/02	lucky 2021/04/02	SHEET 2/2
			lucky 2021/04/02		REVISION 3



## X-ON Electronics

Largest Supplier of Electrical and Electronic Components

*Click to view similar products for [USB Connectors](#) category:*

*Click to view products by [Murata](#) manufacturer:*

Other Similar products are found below :

[950](#) [MUSBD11135](#) [17-200721](#) [217450-1](#) [KMBVX-TH-5S-B30](#) [KUSBX-AS2N-W](#) [KUSBX-SMT2AP1S-W30](#) [935](#) [957](#) [30-498-6](#) [SK-60A-2](#)  
[1734082-1](#) [30-470](#) [30-489](#) [30-541](#) [A-USB A-2P-C](#) [MIKROE-1451](#) [USBFTVSCCG](#) [1-1734084-2](#) [10135326-001LF](#) [4198](#) [USB-A-D-VT](#)  
[USB-A-S-RA-TSMT](#) [1310-1023-02](#) [690-024-633-031](#) [UB-20PMFP-LC7001](#) [17-200011](#) [UB-20AFMM-LL7A01](#) [1040870124](#) [CAP-](#)  
[WCCMLPB1](#) [CAP-WCCMLPC1](#) [2274475-3](#) [UB-20BMFA-SL8001](#) [914-614A2025S10200](#) [USB3FTV7SAGF059](#) [ZX40-B-5S-1500-](#)  
[STDA\(30\)](#) [GSB3116344HR](#) [USB3FTV2SAZNF459](#) [USB3FTV7SAZNF459](#) [U221-041N-1WVS62-F5D](#) [HYCW153-USBD05-500B](#)  
[HYCW219-USBD05-075B](#) [HYCW148-USBD05-117B](#) [HYCW149-USBD05-740B](#) [HYCW204-USBD05-108B](#) [HYCW214-USBA04-113B](#)  
[HYCW213-USBA04-113B](#) [UB-20AMFM-SL7A01](#) [KMMX-BSMT35S-1-B30TR](#) [2345986-1](#)