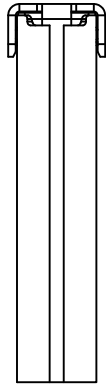


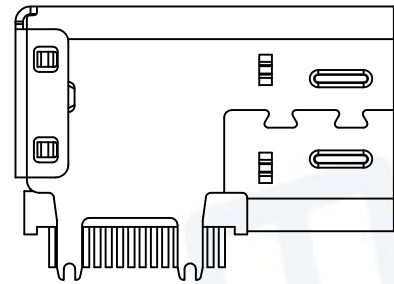
Product with CAP  
1 : 2



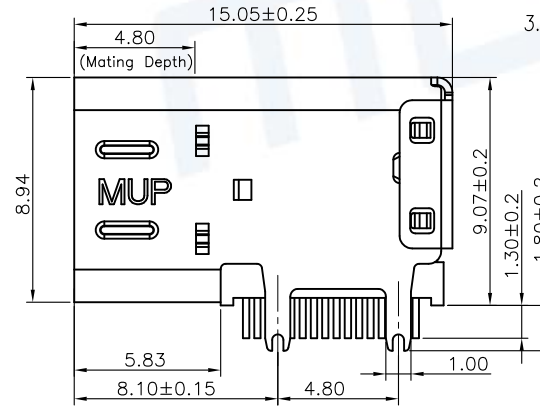
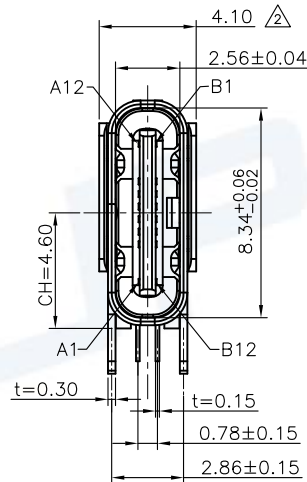
REV.	DESCRIPTION OF REVISIONS	APPR.	CHKD.	DRAW.	DATE
△	Original reversion	lucky	lucky	Roy	2022/02/24
△	Change specifications	lucky	lucky	Roy	2023/10/09
△	Change product model No.	lucky	lucky	Roy	2023/10/25

NOTE:

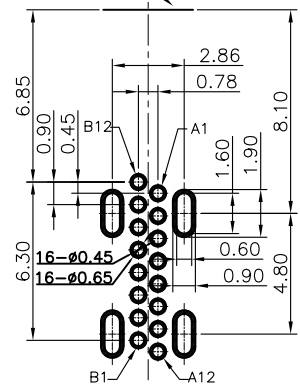
- MECHANICAL:
  - MATING FORCE: 0.5~2.0Kgf
  - UMMATING FORCE: Initial: 0.8~2.0Kgf  
After 500 to 10,000cycles: 0.6~2.0Kgf
  - FREQUENCE: 500±50 CYCLES/HOUR, 10000 CYCLES;
- ELECTRICAL CHARACTERISTICS:
  - CURRENT RATING: 5.0A Max.
  - INITIAL CONTACT RESISTANCE: 40mΩ Max.
  - INSULATION RESISTANCE: 100MΩ MIN AT 500V DC
  - WITHSTANDING VOLTAGE: 100V AC, 1 MINUTE;
- ENVIRONMENTAL  
TEMPERATRUE RANGE: -40°C TO +85°C.



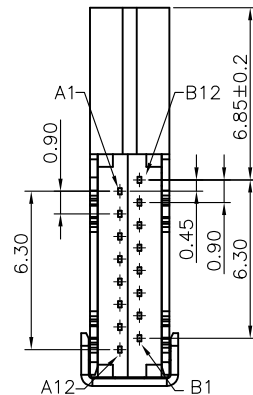
PCB EDGE



A1	GND	B12	GND
A4	VBUS	B9	VBUS
A5	CC1	B8	SBU2
A6	DP1	B7	DN2
A7	DN1	B6	DP2
A8	SBU1	B5	CC2
A9	VBUS	B4	VBUS
A12	GND	B1	GND
PIN	SIGNAL NAME	PIN	SIGNAL NAME



RECOMMENDED P.C.B. LAYOUT  
TOLERANCE UNSPECIFIED ±0.05mm



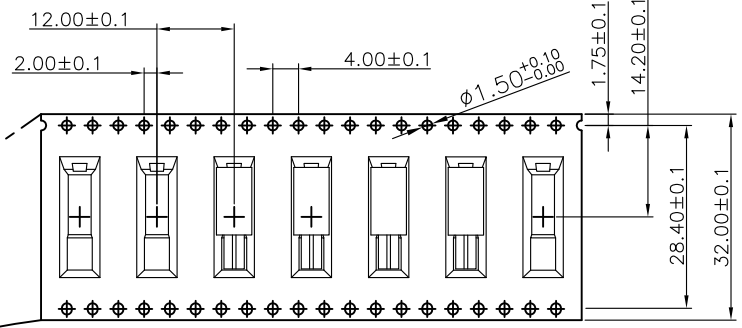
ITEM	PART NAME	Q'TY	MATERIAL	FINISH
1	Molding	1	THERMOPLASTIC	Black, UL94V-0
2	CONTACT	16	HIGH CONDUCTIVITY COPPER	Contact area: Au:3u"
3	SHELL	1	STAINLESS STEEL	Ni plated over all
4	MID-PLATE	1	STAINLESS STEEL	Clearing
5	CAP	1	THERMOPLASTIC	Black, UL94V-0

Unless otherwise specified, other tolerance are:

**MUP** MUP INDUSTRIAL CO.,LTD.

X	±0.40	X*	±5*	NAME:	USB Type C Vertical Mount Receptacle						
X.X	±0.30	X.X*	±4*	MODEL NO.:	MUP-U23401-05						
X.XX	±0.20	X.XX*	±3*	TYPE :	16Pin & Shell feet of Straight & CH=4.6						
X.XXX	±0.10	X.XXX*	±2*	PROJ.	UNIT	SCALE	DRAW	Roy	2022/02/24	DWG NO.:	DWG-U23401-05-01
				CHECKED	lucky	2022/02/24	SHEET	1/2	REVISION	3	
				APPROVAL	lucky	2022/02/24					

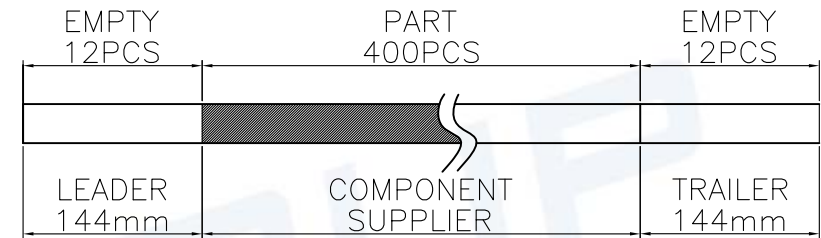




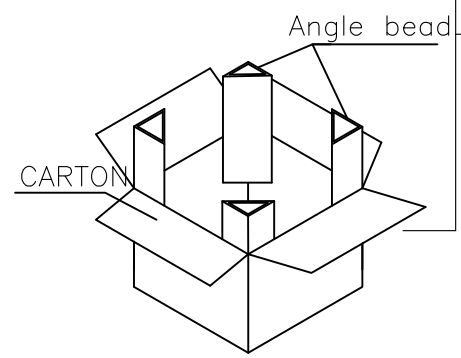
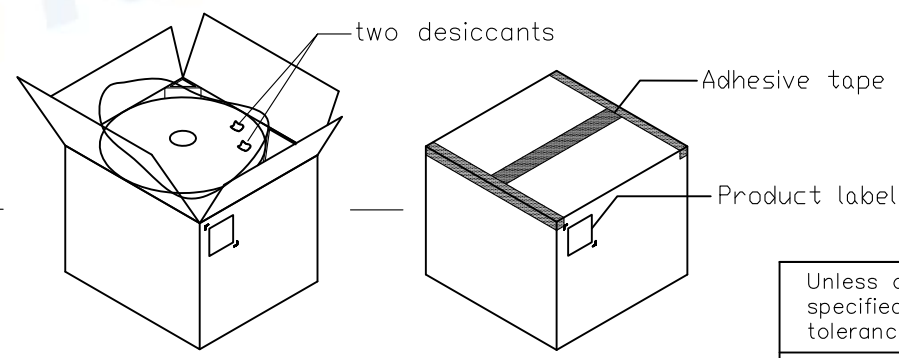
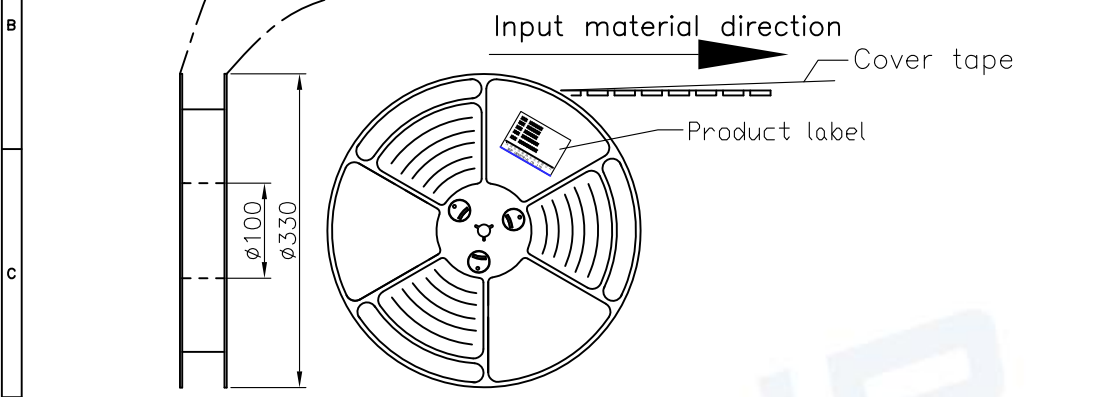
REV.	DESCRIPTION OF REVISIONS	APPR.	CHKD.	DRAW.	DATE
△1	Original reversion	lucky	lucky	Roy	2022/02/24
△2	Change specifications	lucky	lucky	Roy	2023/10/09
△3	Change product model No.	lucky	lucky	Roy	2023/10/25

NOTES

1. NUMBER OF CONNECTORS:400PCS/REEL
2. LEAD TAPE LENGTH



3. QUANTITY:3200/CARTON



Unless otherwise specified, other tolerance are:			MUP INDUSTRIAL CO.,LTD.		
X ±0.40	X* ±5'	NAME: <b>USB Type C Vertical Mount Receptacle</b>			
X.X ±0.30	X.X* ±4'	MODEL NO: <b>MUP-U23401-05</b>			
X.XX ±0.20	X.XX* ±3'	TYPE: <b>16Pin &amp; Shell feet of Straight &amp;CH=4.6</b>			
X.XXX ±0.10	X.XXX* ±2'	PROJ.	DRAW Roy 2022/02/24	DWG NO.: DWG-U23401-05-01	
UNIT mm			CHECKED lucky 2022/02/24	SHEET 2/2	REVISION 3
SCALE 1:1			APPROVAL lucky 2022/02/24		
CUSTOMER DRAWING					

## X-ON Electronics

Largest Supplier of Electrical and Electronic Components

*Click to view similar products for [USB Connectors](#) category:*

*Click to view products by [Murata](#) manufacturer:*

Other Similar products are found below :

[950](#) [MUSBD11135](#) [17-200721](#) [217450-1](#) [KMBVX-TH-5S-B30](#) [KUSBX-AS2N-W](#) [KUSBX-SMT2AP1S-W30](#) [935](#) [957](#) [30-498-6](#) [SK-60A-2](#)  
[1734082-1](#) [30-470](#) [30-489](#) [30-541](#) [A-USB A-2P-C](#) [MIKROE-1451](#) [USBFTVSCCG](#) [1-1734084-2](#) [10135326-001LF](#) [4198](#) [USB-A-D-VT](#)  
[USB-A-S-RA-TSMT](#) [1310-1023-02](#) [690-024-633-031](#) [UB-20PMFP-LC7001](#) [17-200011](#) [UB-20AFMM-LL7A01](#) [1040870124](#) [CAP-](#)  
[WCCMLPB1](#) [CAP-WCCMLPC1](#) [2274475-3](#) [UB-20BMFA-SL8001](#) [914-614A2025S10200](#) [USB3FTV7SAGF059](#) [ZX40-B-5S-1500-](#)  
[STDA\(30\)](#) [GSB3116344HR](#) [USB3FTV2SAZNF459](#) [USB3FTV7SAZNF459](#) [U221-041N-1WVS62-F5D](#) [HYCW153-USBD05-500B](#)  
[HYCW219-USBD05-075B](#) [HYCW148-USBD05-117B](#) [HYCW149-USBD05-740B](#) [HYCW204-USBD05-108B](#) [HYCW214-USBA04-113B](#)  
[HYCW213-USBA04-113B](#) [UB-20AMFM-SL7A01](#) [KMMX-BSMT35S-1-B30TR](#) [2345986-1](#)