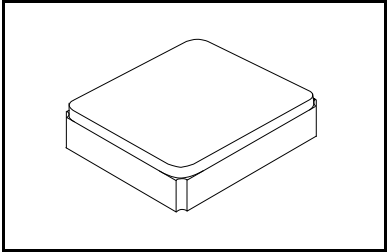


- **Surface Mount Seam Weld Package**
- **Good Frequency Stability over Temperature**
- **Excellent Reliability**
- **Complies with Directive 2002/95/EC (RoHS)**
- **Tape and Reel Standard per ANSI/EIA-481**



XO3003

**25.6 MHz
Crystal
Oscillator**



RFM

- High accuracy
- Low phase noise

| Electrical Characteristics | Specifications |
|----------------------------|------------------------|
| Frequency | 25.6 MHz ±0.01% |
| Frequency stability | ±0.01% (0°C to 70°C) |
| Frequency stability | ±0.01% (0°C to 85°C) |
| Frequency stability | ±0.01% (0°C to 100°C) |
| Frequency stability | ±0.01% (0°C to 125°C) |
| Frequency stability | ±0.01% (0°C to 150°C) |
| Frequency stability | ±0.01% (0°C to 175°C) |
| Frequency stability | ±0.01% (0°C to 200°C) |
| Frequency stability | ±0.01% (0°C to 225°C) |
| Frequency stability | ±0.01% (0°C to 250°C) |
| Frequency stability | ±0.01% (0°C to 275°C) |
| Frequency stability | ±0.01% (0°C to 300°C) |
| Frequency stability | ±0.01% (0°C to 325°C) |
| Frequency stability | ±0.01% (0°C to 350°C) |
| Frequency stability | ±0.01% (0°C to 375°C) |
| Frequency stability | ±0.01% (0°C to 400°C) |
| Frequency stability | ±0.01% (0°C to 425°C) |
| Frequency stability | ±0.01% (0°C to 450°C) |
| Frequency stability | ±0.01% (0°C to 475°C) |
| Frequency stability | ±0.01% (0°C to 500°C) |
| Frequency stability | ±0.01% (0°C to 525°C) |
| Frequency stability | ±0.01% (0°C to 550°C) |
| Frequency stability | ±0.01% (0°C to 575°C) |
| Frequency stability | ±0.01% (0°C to 600°C) |
| Frequency stability | ±0.01% (0°C to 625°C) |
| Frequency stability | ±0.01% (0°C to 650°C) |
| Frequency stability | ±0.01% (0°C to 675°C) |
| Frequency stability | ±0.01% (0°C to 700°C) |
| Frequency stability | ±0.01% (0°C to 725°C) |
| Frequency stability | ±0.01% (0°C to 750°C) |
| Frequency stability | ±0.01% (0°C to 775°C) |
| Frequency stability | ±0.01% (0°C to 800°C) |
| Frequency stability | ±0.01% (0°C to 825°C) |
| Frequency stability | ±0.01% (0°C to 850°C) |
| Frequency stability | ±0.01% (0°C to 875°C) |
| Frequency stability | ±0.01% (0°C to 900°C) |
| Frequency stability | ±0.01% (0°C to 925°C) |
| Frequency stability | ±0.01% (0°C to 950°C) |
| Frequency stability | ±0.01% (0°C to 975°C) |
| Frequency stability | ±0.01% (0°C to 1000°C) |

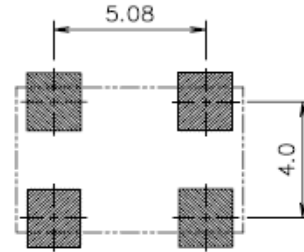


CAUTION: Electrostatic Sensitive Device. Observe precautions for handling.

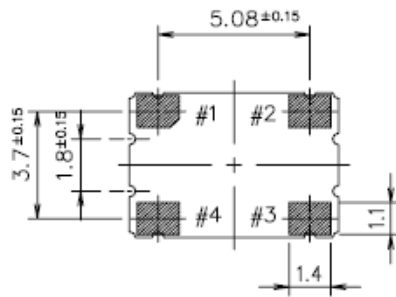
NOTES:

1. The design, manufacturing process, and specifications of this device are subject to change.
2. US or International patents may apply.

Mechanical Dimensions: (Unit: mm)



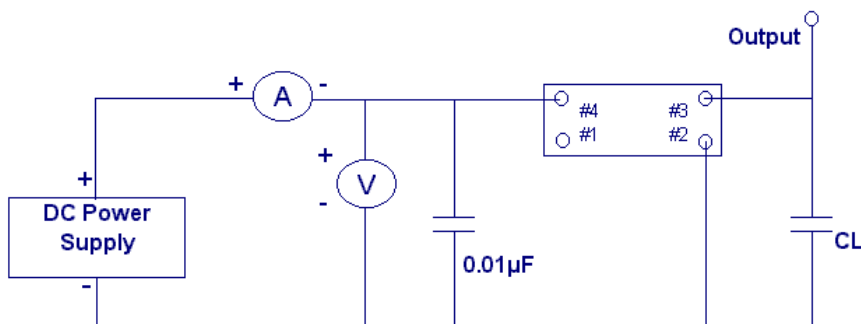
Recommended Soldering Pattern



UNIT : mm

| PIN # | FUNCTION |
|-------|--------------------------|
| 1 | NO CONNECT/3-STATE |
| 2 | CIRCUIT AND COVER GROUND |
| 3 | OUTPUT |
| 4 | VDD |

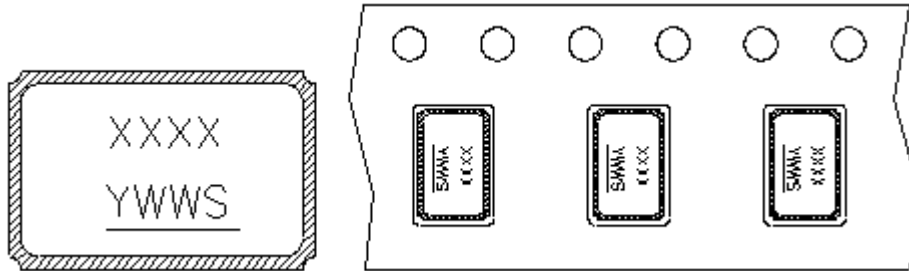
Test Circuit:



Marking:

Line 1: XXXX (3003)

Line 2: YWWS (year, week number, shift)

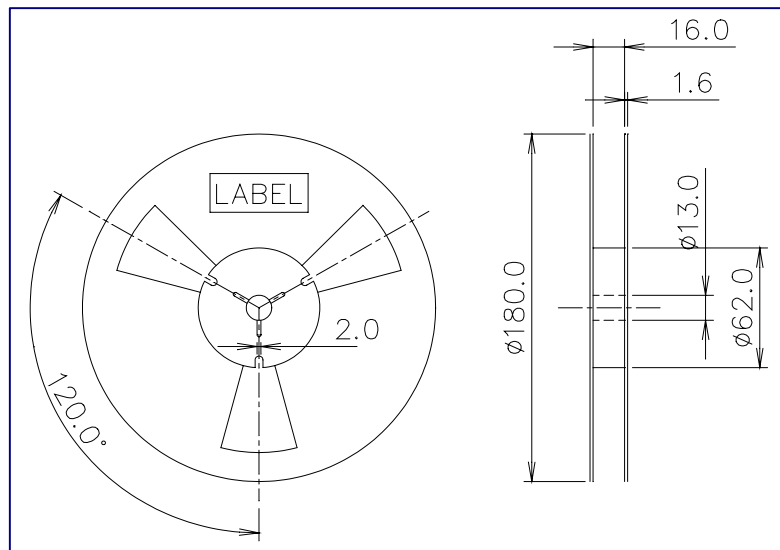


Shift Code Table

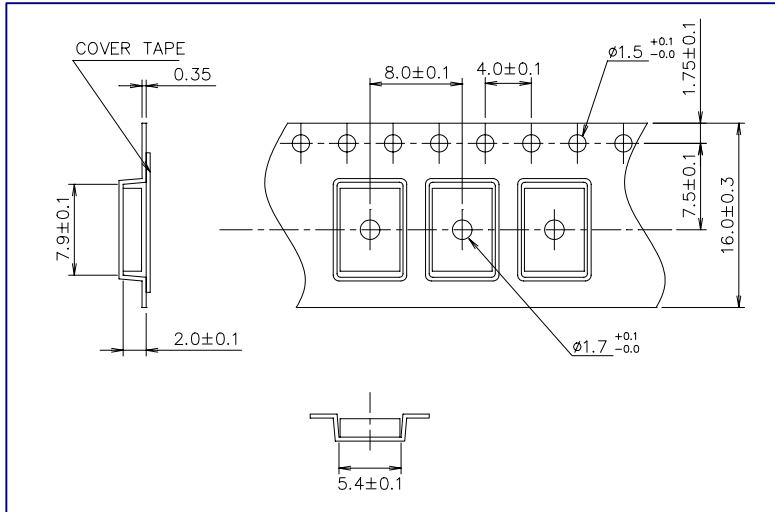
| | Mon | Tue | Wed | Thu | Fri | Sat | Sun |
|---------|-----|-----|-----|-----|-----|-----|-----|
| A Shift | A | D | G | K | N | S | V |
| B Shift | B | E | H | L | P | T | W |
| C Shift | C | F | J | M | R | U | X |

Packing:

■ **Reel Dimension (Unit: mm)**



Tape Dimension (Unit: mm)



[NOTE]:

1. Unless otherwise specified tolerance on dimension ± 0.1 mm.
2. Material: conductive polystyrene with color black
3. 10 pitch cumulative tolerance ± 0.2 mm.
4. Packing Direction: dot or the logo of marking should be close to the hole of tape.

Recommended Reflow Profile

1. Preheating shall be fixed at 150~180°C for 60~90 seconds.
2. Ascending time to preheating temperature 150°C shall be 30 seconds min.
3. Heating shall be fixed at 220°C for 50~80 seconds and at 260°C +0/-5°C peak (10 seconds).
4. Time: 5 times maximum.



X-ON Electronics

Largest Supplier of Electrical and Electronic Components

Click to view similar products for [Standard Clock Oscillators](#) category:

Click to view products by [Murata](#) manufacturer:

Other Similar products are found below :

[601252](#) [F335-12](#) [F335-25](#) [F535L-33.333](#) [F535L-50](#) [ASV-20.000MHZ-LR-T](#) [ECS-2018-160-BN-TR](#) [EL13C7-H2F-125.00M](#) [MXO45HS-2C-66.6666MHZ](#) [SiT8209AI-32-33E-125.000000](#) [SIT8918AA-11-33S-50.000000G](#) [SM4420TEV-40.0M-T1K](#) [F335-24](#) [F335-40](#) [F535L-10](#) [F535L-12](#) [F535L-16](#) [F535L-24](#) [F535L-27](#) [F535L-48](#) [PE7744DW-100.0M](#) [CSX-750FCC14745600T](#) [ASF1-3.686MHZ-N-K-S](#) [XO57CTECNA3M6864](#) [ECS-2100A-147.4](#) [601251](#) [EP16E7E2H26.000MTR](#) [SIT8918AA-11-33S-16.000000G](#) [XO3003](#) [9120AC-2D2-33E212.500000](#) [9102AI-243N25E100.00000](#) [8208AC-82-18E-25.00000](#) [ASDK2-32.768KHZ-LR-T3](#) [8008AI-72-XXE-24.545454E](#) [8004AC-13-33E-133.33000X](#) [AS-4.9152-16-SMD-TR](#) [ASFL1-48.000MHZ-LC-T](#) [SIT8920AM-31-33E-25.0000](#) [DSC1028DI2-019.2000](#) [9121AC-2C3-25E100.00000](#) [9102AI-233N33E100.00000X](#) [9102AI-233N25E200.00000](#) [9102AI-232H25S125.00000](#) [9102AI-133N25E200.00000](#) [9102AC-283N25E200.00000](#) [9001AC-33-33E1-30.000](#) [XLH536125.000JS4I](#) [3921AI-2CF-33NZ125.000000](#) [5730-1SF](#) [PXA000010](#)