

IO-Link / analog converter

Multi AI U / I, M12, straight

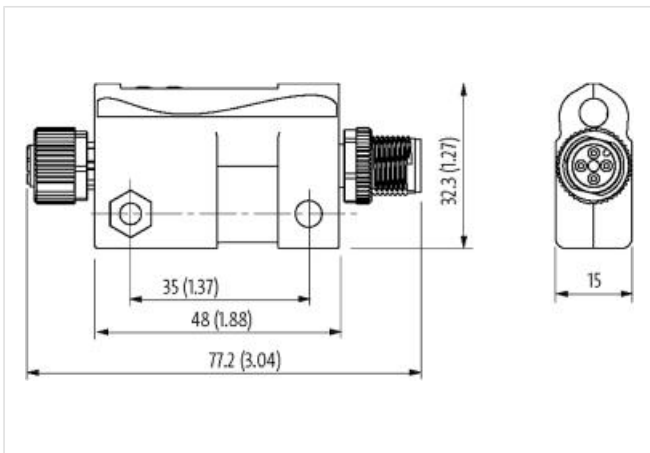
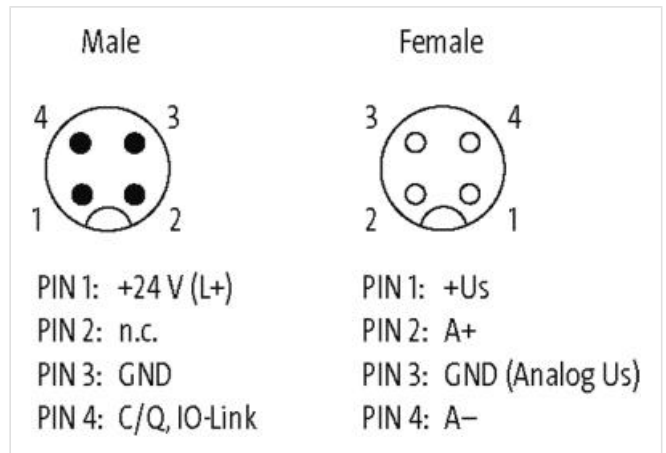
IO-Link / analog converter

AI Multi U/I, M12

16Bit, IP65/67, IO-Link V1.1, Class A

Link to Product

Illustration



Product may differ from Image



Connections

IO-Link	M12 (male) 3-pole, A-coded
Analog input	M12 (female) 4-pole, A-coded, shielded

Protection

Short-circuit protection sensor	yes, permanently
feed back resistance	yes, permanently
Reverse polarity protection module	yes, permanently
Over voltage protection	30 V DC

The information in this Product-PDF has been compiled with the utmost care.

Liability for the correctness completeness and topicality of the information is restricted to gross negligence. Version: 2023-09-08

Input	
Input resistor (analog)	232 Ω, 232 Ω, > 100 kΩ, > 100 kΩ
Invers-polarity protection	yes, permanently
Sensor supply US	24 V DC (EN 61131-2), max. 200 mA
Over voltage protection	30 V DC
Accuracy	0.10% (25 °C)
Conversion time (analog)	max. 5 ms
Resolution (analog)	15 Bit + sign
Valency	348 nA, 348 nA, 179.4 μV, 358.9 μV
Input range (analog)	0...20 mA, 4...20 mA, 0...10 V, -10...+10 V
Temperature drift	45 ppm/K
Input filter	yes, mean value formation, parameterizable N = 0...64
General data	
Temperature range	-30...+70 °C (storage temperature -40...+85 °C)
Material housing	Plastic
Labeling	Laser labelled
Protection	IP65/IP67
Dimensions H×W×D	32.3×77.2×15 mm
Parameterization	
upper limit	1 Byte
lower limit	2 Byte
Measured value	Current/voltage
Diagnostics	2 Byte
Module supply	
Operating voltage	24 V DC (18...30 V DC)
Current consumption	max. 19 mA
Diagnostic	
Communication status	via LED and IO-Link
Diagnostic via LED	yes
Diagnostic via IO-Link	yes
Monitoring - under voltage	yes
Monitoring - over voltage	yes
Monitoring - temperature	yes
Underride and overrun	yes
Monitoring - limit	yes
Short-circuit and overload	yes
IO-Link	
Data width	16 Bit / 2 Byte
Specification	IO-Link V1.1
Port Class	A
Data format	Siemens S7
Operating modes	COM2 (38.4 kbit/s)
Cycle time	min. 2.3 ms

X-ON Electronics

Largest Supplier of Electrical and Electronic Components

Click to view similar products for [Interface Modules](#) category:

Click to view products by [Murr Elektronik](#) manufacturer:

Other Similar products are found below :

[FAB118](#) [60003-002](#) [FC6A-PC3](#) [60016-023](#) [HPCI-14S12U](#) [cBP-3208](#) [PCE-DP10-00A1E](#) [60016-024](#) [60016-022](#) [60016-005](#) [60016-002](#)
[60006-004](#) [K6CMISZBI52](#) [60011-093](#) [ADAM-4541-C](#) [ADAM-4510S-F](#) [ADC-30AB BBA](#) [USB-CARD-READER](#) [USB-RS485](#) [USB-SATA](#)
[112095-5118](#) [1020882](#) [1021056](#) [1021058](#) [1021080](#) [73-544-002](#) [UC-313](#) [UC-357](#) [485LDRC9](#) [485OPDRI](#) [U442-DOCK1](#) [UH104](#) [US-257](#)
[VESP211-232](#) [422LP9R](#) [422PP9R](#) [422PP9TB](#) [4850PDRHS](#) [US-279](#) [HW-FMC-XM105-G](#) [HP-USB-14](#) [UEXTX5](#) [2316379](#) [2316382](#) [B126-](#)
[1A1](#) [2465](#) [301-1001-11](#) [301-1001-31](#) [301-1002-98](#) [U444-06N-DP-C](#)