

IO-Link / analog converter

AI Multi thermocouple, M12, straight

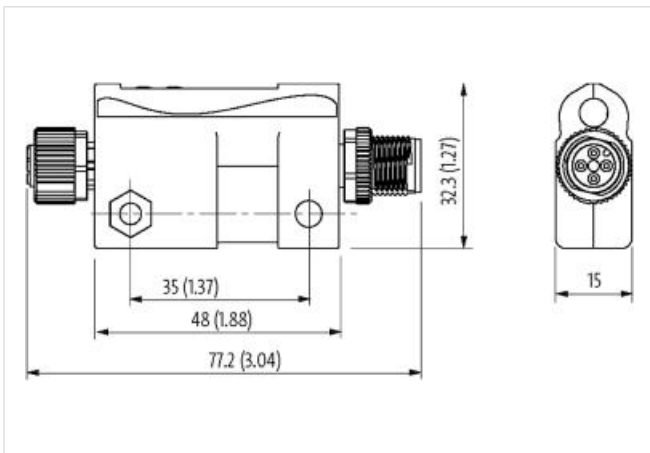
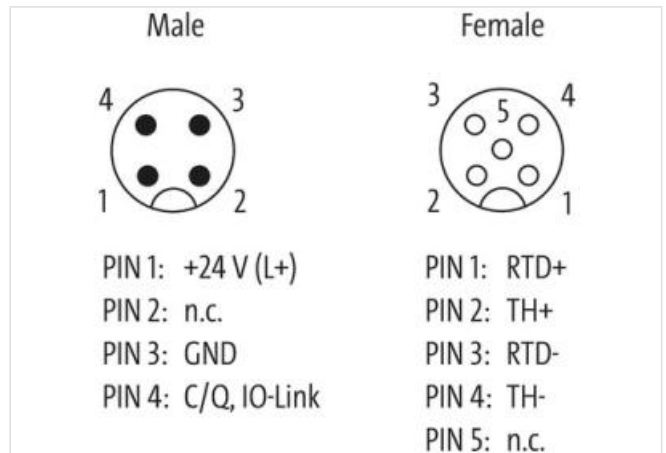
IO-Link / analog converter

AI Multi Thermo Element, M12

16Bit, IP65/67, IO-Link V1.1, Class A

Link to Product

Illustration



Product may differ from Image



Commercial data

ECLASS-6.1	27242602
ECLASS-7.0	27242602
ECLASS-8.0	27242602
ECLASS-9.0	27242602
ECLASS-10.1	27242602
ECLASS-11.1	27242602

ECLASS-12.0	27242602
customs tariff number	85437090
GTIN	4048879588447
Packaging unit	1

Electrical data | Supply

Operating voltage DC	24 V
Operating voltage DC min.	18 V
Operating voltage DC max.	30 V
Norm operating voltage	EN 61131-2
Operating voltage US DC	24 V
Current consumption max.	15 mA

Electrical data | Input

Parameterizable input averaging filter process data	yes
Current carrying capacity max.	0,2 A
Conversion time with net suppression	OFF: 10 ms, 50 Hz: 60 ms, 60 Hz: 100 ms

Industrial communication | IO-Link

Port Class	A
IO-Link revision ID	V1.1
IO-Link transmission rate	COM2 (38.4 kbit/s)
IO-Link process data length input	2 Bytes
IO-Link cycle time min.	10 ms

Diagnostics

Diagnostic via IO-Link	yes
Diagnostic via LED	yes
IO-Link events	Device defect, Overtemperature, Overvoltage supply, Undervoltage supply, lower limit, upper limit
Short circuit diagnosis	yes
LED display	Ethernet connection/data traffic
Temperature control	yes
Overload diagnosis	yes

Device protection | Electrical

Degree of protection (EN IEC 60529)	IP65, IP67
Invers-polarity protection	yes
Short circuit protection sensor supply	yes
Resistance to loads with regenerative power	yes
Over voltage protection	yes

Mechanical data | Material data

Material housing	Plastic
------------------	---------

Mechanical data | Mounting data

Height	32,3 mm
Width	77,2 mm
Depth	15 mm

Environmental characteristics | Climatic

Operating temperature min.	-30 °C
Operating temperature max.	70 °C
Storage temperature min.	-40 °C
Storage temperature max.	85 °C

Connection type 2

Connection type 1	AI
Connection type 2	IO-Link Port
Family construction form	M12

Gender	female
Color contact carrier	black
Coding	A
No. of poles	5
PIN 1	RTD +
PIN 2	TH +
PIN 3	RTD -
PIN 4	TH -
PIN 5	n.c.
Family construction form	M12
Gender	male
Color contact carrier	black
Coding	A
No. of poles	4
PIN 1	24 V DC (L +)
PIN 2	n.c.
PIN 3	0 V (L -)
PIN 4	C / Q / IO-Link

X-ON Electronics

Largest Supplier of Electrical and Electronic Components

Click to view similar products for [I/O Modules](#) category:

Click to view products by [Murr Elektronik](#) manufacturer:

Other Similar products are found below :

[70L-OAC-L](#) [G21960000700](#) [G34960002700](#) [G88104401](#) [IDC-5B](#) [OACU](#) [C4SWOUT](#) [FC6A-T32K3](#) [SNAP-OAC5MA](#) [FC6A-N16B3](#)
[FC6A-N32B3](#) [FC6A-T16P3](#) [G3TAOD201SDC24](#) [PB32HQ](#) [PB16T](#) [PB8](#) [PB8H](#) [C200H-OD211](#) [GT1-AD04CST](#) [GT1-DA04](#) [70GRCQ24-](#)
[HS](#) [M-OAC5](#) [G4OAC24AMA](#) [2736505](#) [6202](#) [6402](#) [IL MOD BK DI8 DO4-PAC](#) [FC6A-J2C1](#) [FC6A-KC1C](#) [FC6A-N08A11](#) [FC6A-M24BR1](#)
[FC6A-K4A1](#) [FC6A-T32P3](#) [9-1393028-2](#) [GP32900003700](#) [641-480-5022](#) [PB16H](#) [WISE-4050/LAN-B](#) [WISE-S614T-A](#) [ADAM-4068-C](#)
[56475](#) [ADAM-4017+-F](#) [ADAM-4118-C](#) [AMAX-4856-B](#) [WISE-4050-B](#) [ADAM-4051-C](#) [ADAM-4053-F](#) [GT1-AD08MX](#) [TM5SDO6TBFS](#)
[70Q3446](#)