

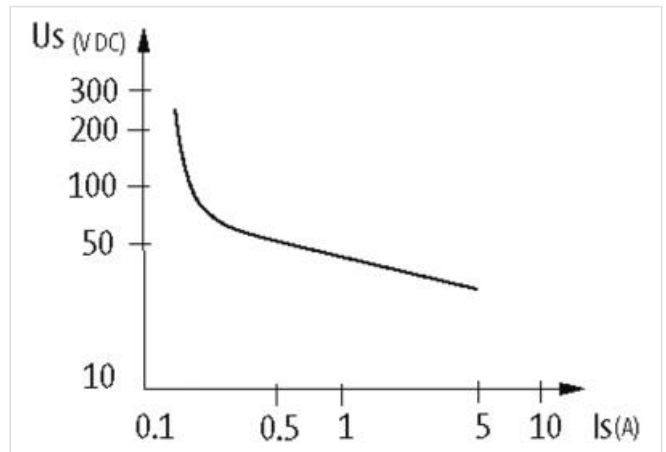
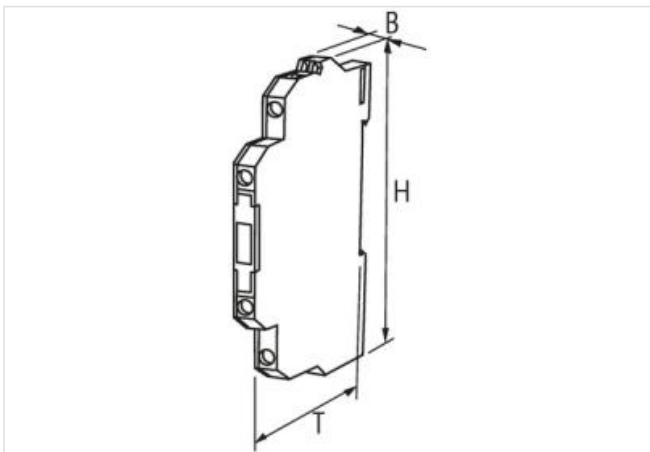
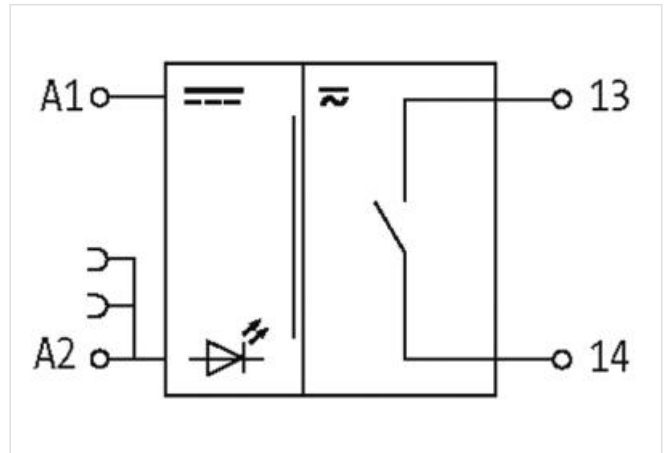
MIRO 6.2 24V OUTPUT RELAY

IN: 24 VAC/DC - OUT: 250 VAC/DC / 6 A

- 1 NO contact
- 6 A
- 24 V AC/DC
- Screw terminals
- safe separation (EN 60947-1)

[Link to Product](#)

Illustration



Product may differ from Image



Commercial data

ECLASS-6.0	27371001
ECLASS-6.1	27371601
ECLASS-7.0	27371601
ECLASS-8.0	27371601
ECLASS-9.0	27371601

The information in this Product-PDF has been compiled with the utmost care. Liability for the correctness completeness and topicality of the information is restricted to gross negligence. Version: 2024-06-08

ECLASS-10.1	27371601
ECLASS-11.1	27371601
ECLASS-12.0	27371601
ETIM-5.0	EC001437
customs tariff number	85364900
GTIN	4048879027229
Packaging unit	1

Electrical data | Input

Input voltage DC	24 V
Input voltage DC min.	19,2 V
Input voltage DC max.	30 V
Input current	17 mA

Electrical data | Output

Utilization category AC-12 (EN IEC 60947-5-1)	6 A @ 24, 6 A @ 110 V, 6 A @ 230 V
Utilization category AC-15 (EN IEC 60947-5-1)	3 A @ 24 V, 3 A @ 110 V, 3 A @ 230 V
Utilization category DC-13 (EN IEC 60947-5-1)	1 A @ 24 V, 0,2 A @ 110 V, 0,1 A @ 230 V
Switching frequency max.	10 Hz
Power rating AC max.	1500 VA
Power rating DC max.	120 W
Switching voltage AC max.	250 V
Switching voltage DC max.	250 V
Switching current DC	100 mA
Switching current max.	6 A

Diagnostics

Status indication LED	green
-----------------------	-------

Device protection

Condition lifetime	load-dependent
--------------------	----------------

Device protection | Electrical

Rated surge voltage	4 kV
Electrical lifetime	20000000 Cycles

Device protection | Mechanical

Mechanical endurance	20000000 Cycles
----------------------	-----------------

Mechanical data

Drop-out time max.	15 ms
Response time max.	10 ms
Bounce time max.	1,5 ms

Mechanical data | Material data

Material contact	Ag Sn O2
------------------	----------

Mechanical data | Mounting data

Mounting method	geschnappt
Suitable for mounting type	mounting rail, (EN 60715)
Height	78 mm
Width	6,2 mm
Depth	70 mm

Environmental characteristics | Climatic

Operating temperature min.	-20 °C
Operating temperature max.	55 °C

Connection type 4

Connection	Screw terminals SK
Family construction form	terminal

Gender	female
Color contact carrier	green
No. of poles	1
PIN 1	13
Connection	Screw terminals SK
Family construction form	terminal
Gender	female
Color contact carrier	green
No. of poles	1
PIN 1	14
Connection	Screw terminals SK
Family construction form	terminal
Gender	female
Color contact carrier	green
No. of poles	1
PIN 1	A 1
Connection	Screw terminals SK
Family construction form	terminal
Gender	female
Color contact carrier	green
No. of poles	1
PIN 1	A 2

X-ON Electronics

Largest Supplier of Electrical and Electronic Components

Click to view similar products for [Solid State Relays - Industrial Mount](#) category:

Click to view products by [Murr Elektronik](#) manufacturer:

Other Similar products are found below :

[D2440-C](#) [H10CA4890](#) [H10CD4890](#) [D4840B](#) [D4875C](#) [1395831-1](#) [SE-K4EN](#) [A-1326](#) [H10CA4850](#) [H12CA4890VL](#) [RA2410-D06](#)
[RA2410HA06T](#) [TD1205](#) [D53TP50-10](#) [W230E-1-12](#) [W230T-3-12](#) [1-1617030-3](#) [MS2-D2420](#) [MS2-D2430](#) [A-1440](#) [G3TAOD201SDC24](#) [1-](#)
[1617033-0](#) [G3SD-Z01P-PE](#) [DC24](#) [SMT8628521](#) [ESUC0480](#) [SRH3-1440R](#) [XKA70420](#) [G3PH-5150BAC100-240](#) [GN325DSZH](#)
[GN350ASZH](#) [GN325ASZH](#) [GN350DSZH](#) [1109564](#) [G3NB-225B-1](#) [DC5-24](#) [GNRD06CDL](#) [GN325DSRH](#) [GNR25DCZH](#) [52511](#) [CWH-62-](#)
[WO](#) [E-1048-8I4-C3D4V1-4U3-10A](#) [E-1048-8I4-C3D1V0-4U3-5A](#) [RGC1P60CM25KEN](#) [48ATE3S00X204](#) [48BTG3S00X204](#) [GNR25ACZH](#)
[RA4025H10PCS](#) [RKD2A60D50P](#) [RK2A60D50P](#) [RK2A60D75P](#) [PVG612](#)