

## MIRO TR 24VDC 20KHZ IN<1MA OPTO-COUPLER MODULE

IN: 30 VDC - OUT: 48 VDC / 0.2 A

Transistor 0.2 A

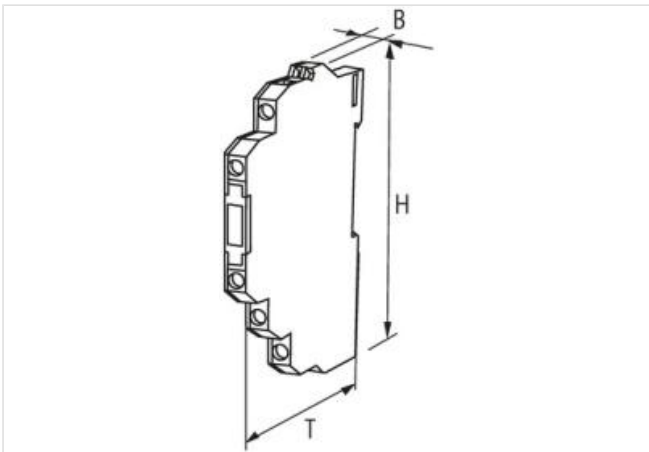
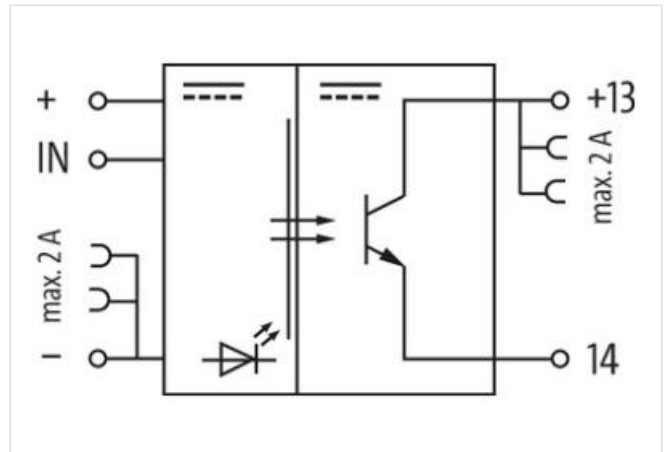
24 V DC

Control current 0.1 mA (5 V DC)

Screw terminals

### [Link to Product](#)

#### Illustration



Product may differ from Image



#### Commercial data

ECLASS-6.0	27371604
ECLASS-6.1	27371604
ECLASS-7.0	27371604
ECLASS-8.0	27371604
ECLASS-9.0	27371604
ECLASS-10.1	27371604

ECLASS-11.1	27371604
ECLASS-12.0	27371604
ETIM-5.0	EC001504
customs tariff number	85414900
GTIN	4048879026857
Packaging unit	1

**Electrical data | Input**

Input voltage OFF DC min.	0 V
Input voltage OFF DC max.	2 V
Input voltage DC min.	15 V
Input voltage DC max.	30 V
Input current DC max.	16 mA
Control current	0,1 mA

**Electrical data | Output**

Switch off delay max.	18 µs
Quiescent current OFF max.	0,1 mA
Switching frequency max.	20000 Hz
Voltage switching DC min.	5 V
Switching voltage DC max.	48 V
Switching current min.	0,1 mA
Switching current max.	0,2 A
Voltage drop DC max.	1,2 V

**Diagnostics**

Status indication LED	yellow
-----------------------	--------

**Device protection | Electrical**

Rated insulation voltage	3750 V
--------------------------	--------

**Device protection | Media**

Flame resistance	flame retardant
------------------	-----------------

**Mechanical data | Material data**

Color housing	black
Material housing	Plastic

**Mechanical data | Mounting data**

Mounting method	geschnappt
Suitable for mounting type	mounting rail, (EN 60715)
Height	91 mm
Width	6,2 mm
Depth	71 mm

**Environmental characteristics | Climatic**

Operating temperature min.	-20 °C
Operating temperature max.	60 °C

**Connection type 5**

Connection	Screw terminals SK
Family construction form	terminal
Gender	female
Color contact carrier	green
No. of poles	1
PIN 1	-
Connection	Screw terminals SK
Family construction form	terminal
Gender	female
Color contact carrier	green

No. of poles	1
PIN 1	+
Connection	Screw terminals SK
Family construction form	terminal
Gender	female
Color contact carrier	green
No. of poles	1
PIN 1	In
Connection	Screw terminals SK
Family construction form	terminal
Gender	female
Color contact carrier	green
No. of poles	1
PIN 1	14
Connection	Screw terminals SK
Family construction form	terminal
Gender	female
Color contact carrier	green
No. of poles	1
PIN 1	13 +

## X-ON Electronics

Largest Supplier of Electrical and Electronic Components

*Click to view similar products for [Solid State Relays - Industrial Mount](#) category:*

*Click to view products by [Murr Elektronik](#) manufacturer:*

Other Similar products are found below :

[D2440-C](#) [H10CA4890](#) [H10CD4890](#) [D4840B](#) [D4875C](#) [1395831-1](#) [SE-K4EN](#) [A-1326](#) [H10CA4850](#) [H12CA4890VL](#) [RA2410-D06](#)  
[RA2410HA06T](#) [TD1205](#) [D53TP50-10](#) [W230E-1-12](#) [W230T-3-12](#) [1-1617030-3](#) [MS2-D2420](#) [MS2-D2430](#) [A-1440](#) [G3TAOD201SDC24](#) [1-](#)  
[1617033-0](#) [G3SD-Z01P-PE](#) [DC24](#) [SMT8628521](#) [ESUC0480](#) [SRH3-1440R](#) [XKA70420](#) [G3PH-5150BAC100-240](#) [GN325DSZH](#)  
[GN350ASZH](#) [GN325ASZH](#) [GN350DSZH](#) [1109564](#) [G3NB-225B-1](#) [DC5-24](#) [GNRD06CDL](#) [GN325DSRH](#) [GNR25DCZH](#) [52511](#) [CWH-62-](#)  
[WO](#) [E-1048-8I4-C3D4V1-4U3-10A](#) [E-1048-8I4-C3D1V0-4U3-5A](#) [RGC1P60CM25KEN](#) [48ATE3S00X204](#) [48BTG3S00X204](#) [GNR25ACZH](#)  
[RA4025H10PCS](#) [RKD2A60D50P](#) [RK2A60D50P](#) [RK2A60D75P](#) [PVG612](#)