

## CUBE20 BUS NODE ETHERNET-IP

8 digital inputs

Bus nodes

DI8 - (BN-E)

EtherNet/IP

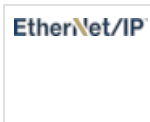
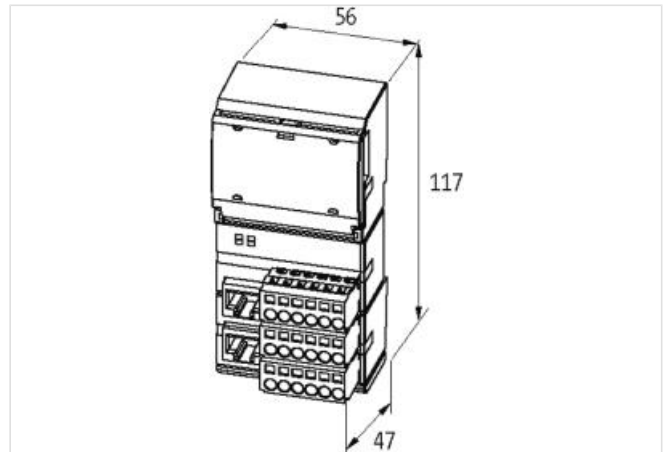
Connection cables are in the online shop under "Connection Technology".

### Link to Product

#### Illustration



Product may differ from Image



#### General data

Mounting method	DIN-rail mountable (EN 60715)
Temperature range	0...+55 °C (storage temperature -20...+85 °C)
Protection	IP20
Dimensions HxWxD	117x56x47 mm

#### Module supply

Operating voltage	24 V DC (EN 61131-2)
Current consumption	max. 150 mA

#### Input

Sensor supply US	24 V DC (EN 61131-2), max. 700 mA per module
Type	PNP (EN 61131-2)
Galvanic isolation	500 V DC between I/O and system electronics
Input filter	1 ms

#### Cube system

Module capacity	max. 15
I/O capacity	max. 504 Byte (Input), max. 500 Byte (Output)

#### Parameterization

Terminal row X3 (4 channels)	Input
Terminal row X2 (4 channels)	Input

#### Connections

Fieldbus	Ethernet 10/100 Mbit/s; 2× RJ45 (female)
Sensor-system/actuator supply	4× spring clamp plug-in terminals, max. 2.5 mm <sup>2</sup> (max. 12 A)
I/O ports	8× spring clamp plug-in terminals, max. 2.5 mm <sup>2</sup>
Internal system connection	4× spring clamp plug-in terminals, max. 2.5 mm <sup>2</sup> (max. 12 A)

**EtherNet/IP**

Addressing	DHCP, BOOTP or IP address by rotary switch
------------	--

**Diagnostic**

Communication status	via LED and BUS
Diagnostic via LED	per module
Diagnostic via BUS	per module and channel
Monitoring - under voltage	yes
Monitoring - no voltage	no
Short-circuit and overload	yes

**Commercial data**

country of origin	CZ
customs tariff number	85389099
EAN	4048879049498
eClass	27242604
Packaging unit	1.000

## X-ON Electronics

Largest Supplier of Electrical and Electronic Components

*Click to view similar products for [Ethernet Modules](#) category:*

*Click to view products by [Murr Elektronik](#) manufacturer:*

Other Similar products are found below :

[TDKEZW3](#) [V23993-USB1029A](#) [100-POE4](#) [X520QDA1](#) [BCM84794A1KFSBG](#) [X520DA2OCP](#) [808-38157](#) [7506GX2](#) [TC EXTENDER 2001](#)  
[ETH-2S](#) [105FX-SC-MDR](#) [110FX2-SC](#) [7000-P3201-P050150](#) [750-451](#) [750-494](#) [750-495](#) [750-501](#) [750-612](#) [750-627](#) [750-643](#) [750-652](#) [750-](#)  
[653/003-000](#) [753-440](#) [753-540](#) [852-1812](#) [852-1813](#) [852-1816](#) [LANTICK PE-0-16](#) [LANTICK PE-16-0](#) [RBMTXLITE-L4X2.X.X.X.X.](#) [EKI-](#)  
[7708E-4F-AE](#) [EKI-7708E-4FP-AE](#) [EKI-7708G-4FP-AE](#) [2352903-2](#) [EKI-2706G-1GFPI-BE](#) [SW-125](#) [7000-74712-4780030](#) [7000-74712-](#)  
[4780060](#) [7000-74712-4780100](#) [7000-74712-4780150](#) [750-331](#) [753-649](#) [852-1200](#) [852-1210](#) [852-1280](#) [PM02TWA](#) [ICR-1601G](#) [BOXER-](#)  
[6641-A1-1110](#) [EKI-7712G-4F-AE](#) [55150](#) [56005](#)