

CUBE20 BN-PNIO DI8

Bus nodes

DI8 - (BN-PNIO)

PROFINET IO

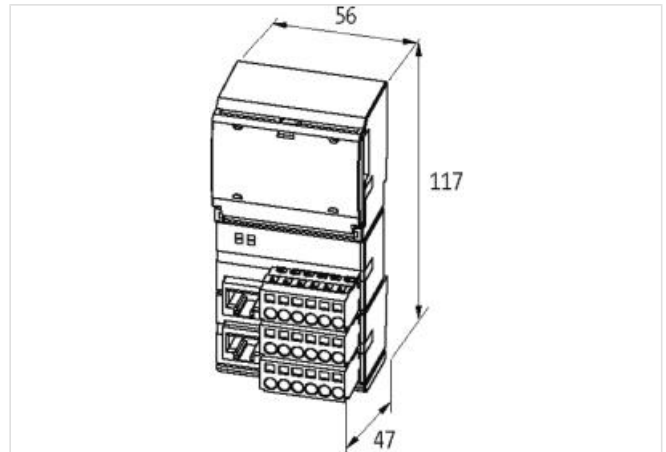
Connection cables are in the online shop under "Connection Technology".

[Link to Product](#)

Illustration



Product may differ from Image



General data

Mounting method	DIN-rail mountable (EN 60715)
Temperature range	0...+55 °C (storage temperature -20...+85 °C)
Protection	IP20
Dimensions H×W×D	117×56×47 mm

Module supply

Operating voltage	24 V DC (EN 61131-2)
Current consumption	max. 150 mA

Input

Sensor supply US	24 V DC (EN 61131-2), max. 700 mA per module
Type	PNP (EN 61131-2)
Galvanic isolation	500 V DC between I/O and system electronics
Input filter	1 ms

Cube system

Module capacity	max. 15
Machine Option Management	yes
I/O capacity	max. 1 024 Byte (Input), max. 1 024 Byte (Output)

Parameterization

Terminal row X3 (4 channels)	Input
Terminal row X2 (4 channels)	Input

Connections

Fieldbus	Ethernet 10/100 Mbit/s; 2× RJ45 (female)
----------	--

The information in this brochure has been compiled with the utmost care.

Liability for the correctness completeness and topicality of the information is restricted to gross negligence. Version: 2022-05-25

Murrelektronik GmbH | Falkenstr. 3 | 71570 Oppenweiler | Fon +49 (71 91) 47-0 | Fax +49 (71 91) 47-491000 | shop@murrelektronik.com | shop.murrelektronik.com

Sensor-system/actuator supply	4× spring clamp plug-in terminals, max. 2.5 mm ² (max. 12 A)
I/O ports	8× spring clamp plug-in terminals, max. 2.5 mm ²
Internal system connection	4× spring clamp plug-in terminals, max. 2.5 mm ² (max. 12 A)

PROFINET

Specification	V2.2, Conformance Class B
Addressing	DCP

Diagnostic

Communication status	via LED and BUS
Diagnostic via LED	per module
Diagnostic via BUS	per module and channel
Monitoring - under voltage	yes
Monitoring - no voltage	no
Short-circuit and overload	yes

Commercial data

country of origin	CZ
customs tariff number	85176200
EAN	4048879049481
eClass	27242604
Packaging unit	1.000

X-ON Electronics

Largest Supplier of Electrical and Electronic Components

Click to view similar products for [Ethernet Modules](#) category:

Click to view products by [Murr Elektronik](#) manufacturer:

Other Similar products are found below :

[TDKEZW3](#) [V23993-USB1029A](#) [100-POE4](#) [X520QDA1](#) [BCM84794A1KFSBG](#) [X520DA2OCP](#) [808-38157](#) [7506GX2](#) [TC EXTENDER 2001](#)
[ETH-2S](#) [105FX-SC-MDR](#) [110FX2-SC](#) [7000-P3201-P050150](#) [750-451](#) [750-494](#) [750-495](#) [750-501](#) [750-612](#) [750-627](#) [750-643](#) [750-652](#) [750-](#)
[653/003-000](#) [750-940](#) [753-440](#) [753-540](#) [852-1812](#) [852-1813](#) [852-1816](#) [LANTICK PE-0-16](#) [LANTICK PE-16-0](#) [RBMTXLITE-](#)
[L4X2.X.X.X.X.](#) [EKI-7708E-4F-AE](#) [EKI-7708E-4FP-AE](#) [EKI-7708G-4FP-AE](#) [2352903-2](#) [753-620](#) [EKI-2706G-1GFPI-BE](#) [SW-125](#) [SW-525](#)
[7000-74712-4780030](#) [7000-74712-4780060](#) [7000-74712-4780100](#) [7000-74712-4780150](#) [750-331](#) [753-649](#) [852-1200](#) [852-1210](#) [852-1280](#)
[PM02TWA](#) [ICR-1601G](#) [BOXER-6641-A1-1110](#)