

CUBE20 DIGITAL IN-/OUTPUT MODULE

16 digital inputs and 16 digital outputs

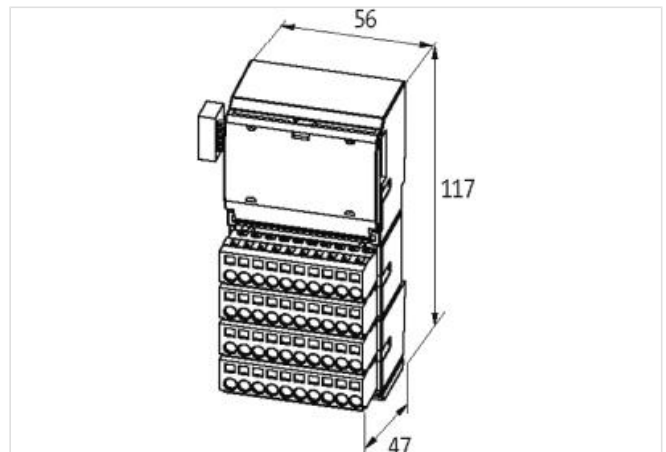
Expansion module
Digital inputs
Digital outputs
DI16/DO16 - (E)

[Link to Product](#)

Illustration



Product may differ from Image



General data

Mounting method	DIN-rail mountable (EN 60715)
Temperature range	0...+55 °C (storage temperature -20...+85 °C)
Protection	IP20
Dimensions H×W×D	117×56×47 mm

Output

Lamp load	10 W
Galvanic isolation	500 V DC between outputs and internal communication
Actuator supply UA	24 V DC (EN 61131-2), max. 12 A
Switching current per output	max. 0.5 A (short-circuit and overload protected)

Input

Sensor supply US	24 V DC (EN 61131-2), max. 700 mA per module
Type	PNP (EN 61131-2)
Galvanic isolation	500 V DC between inputs and internal communication
Input filter	1 ms

Internal communication

Current consumption	max. 25 mA
Module supply	via system connection

Connections

Fieldbus	Ribbon cable connection
Sensor-system/actuator supply	8× spring clamp plug-in terminals, max. 2.5 mm ² (max. 12 A)
I/O ports	32× spring clamp plug-in terminals, max. 2.5 mm ²

Diagnostic

Communication status	via LED
Diagnostic via LED	per module and channel (only outputs)

The information in this brochure has been compiled with the utmost care.

Liability for the correctness completeness and topicality of the information is restricted to gross negligence. Version: 2022-05-25

Murrelektronik GmbH | Falkenstraße 3 | 71570 Oppenweiler | Fon +49 (71 91) 47-0 | Fax +49 (71 91) 47-491000 | shop@murrelektronik.com | shop.murrelektronik.com

Diagnostic via BUS	per module and channel
--------------------	------------------------

Monitoring - under voltage	yes
----------------------------	-----

Monitoring - no voltage	no
-------------------------	----

Short-circuit and overload	yes
----------------------------	-----

Commercial data

country of origin	CZ
-------------------	----

customs tariff number	85176200
-----------------------	----------

EAN	4048879049245
-----	---------------

eClass	27242604
--------	----------

Packaging unit	1.000
----------------	-------

X-ON Electronics

Largest Supplier of Electrical and Electronic Components

Click to view similar products for [Ethernet Modules](#) category:

Click to view products by [Murr Elektronik](#) manufacturer:

Other Similar products are found below :

[TDKEZW3](#) [V23993-USB1029A](#) [100-POE4](#) [X520QDA1](#) [BCM84794A1KFSBG](#) [X520DA2OCP](#) [808-38157](#) [7506GX2](#) [TC EXTENDER 2001](#)
[ETH-2S](#) [105FX-SC-MDR](#) [110FX2-SC](#) [7000-P3201-P050150](#) [750-451](#) [750-494](#) [750-495](#) [750-501](#) [750-612](#) [750-627](#) [750-643](#) [750-652](#) [750-](#)
[653/003-000](#) [750-940](#) [753-440](#) [753-540](#) [852-1812](#) [852-1813](#) [852-1816](#) [LANTICK PE-0-16](#) [LANTICK PE-16-0](#) [RBMTXLITE-](#)
[L4X2.X.X.X.X.](#) [EKI-7708E-4F-AE](#) [EKI-7708E-4FP-AE](#) [EKI-7708G-4FP-AE](#) [2352903-2](#) [753-620](#) [EKI-2706G-1GFPI-BE](#) [SW-125](#) [SW-525](#)
[7000-74712-4780030](#) [7000-74712-4780060](#) [7000-74712-4780100](#) [7000-74712-4780150](#) [750-331](#) [753-649](#) [852-1200](#) [852-1210](#) [852-1280](#)
[PM02TWA](#) [ICR-1601G](#) [BOXER-6641-A1-1110](#)