

MASI20 I/O MODULE K3

4 digital inputs, 4 digital, passive safety outputs

Digital inputs/outputs

DI4 - 0.15 A DO4 - 2 A (K3)

Safe outputs (Safety)

passive safety

Output groups up to PLd (EN ISO 13849-1) can be switched off via safety relays

Standard-Slave

Protection IP20

Current manuals can be downloaded at: www.murrelektronik.com

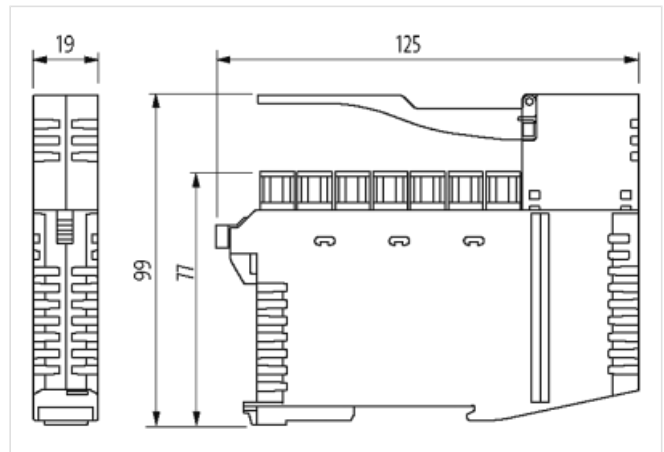
24 V DC (20...30 V DC) EN 61131-2 by additional supply, safely separated from input supply

Link to Product

Illustration



Product may differ from Image



Commercial data

ECLASS-6.0	27242604
ECLASS-6.1	27242604
ECLASS-7.0	27242604
ECLASS-8.0	27242604
ECLASS-9.0	27242604
ECLASS-10.1	27242604
ECLASS-11.1	27242604
ECLASS-12.0	27242604
ETIM-5.0	EC001599
customs tariff number	85176200
GTIN	4048879705257
Packaging unit	1

Electrical data | Supply

Operating voltage external DC min.	12 V
Operating voltage external DC max.	30 V

Bus voltage AS-Interface DC min.	26,5 V
Bus voltage AS-Interface DC max.	31,6 V
Current consumption AS-i port max.	190 mA
Total current max.	4 A
module supply	Via system connection or by additional feed-in

Electrical data | Input

Overload resistant	yes
Short-circuit protected	yes
Type input	PNP, for 3-wire sensors or mechanical switches
Input current max.	5,6 mA
Current carrying capacity max.	0,15 A

Electrical data | Output

Switch off time in case of short circuit	20 ms
Overload resistant	yes
Short-circuit protected	yes
Output current per pin max.	2 A

Industrial communication | Bus data

Address setting type	Addressing socket, Master
Slave address range	(0), 1 ...

Industrial communication | AS-Interface

Profile (IO.ID.ID2)	S-7.0.E
---------------------	---------

Diagnostics

Diagnostic	No voltage
Diagnostic via LED	per module
LED display	Ethernet connection/data traffic

Device protection | Electrical

Degree of protection (EN IEC 60529)	IP20
-------------------------------------	------

Mechanical data | Mounting data

Mounting method	geschnappt
Suitable for mounting type	mounting rail, (EN 60715)
Height	125 mm
Width	19 mm
Depth	99 mm

Environmental characteristics | Climatic

Operating temperature min.	-25 °C
Operating temperature max.	70 °C
Derating from	60 °C
Storage temperature min.	-25 °C
Storage temperature max.	85 °C

Connection type 3

Connection type 1	Asi Bus
Connection type 2	I / O
Connection type 3	Power
Connection	Spring clamp terminals FK
Family construction form	terminal
Gender	female
Color contact carrier	yellow
No. of poles	4
PIN 25	AS-i +
PIN 26	AS-i +
PIN 27	AS-i -

PIN 28	AS-i -
Connection	Spring clamp terminals FK
Family construction form	terminal
Gender	female
Color contact carrier	black
No. of poles	20
PIN 1	I 1
PIN 2	I 2
PIN 3	I 3
PIN 4	I 4
PIN 5	I -
PIN 6	I -
PIN 7	I -
PIN 8	I -
PIN 9	I +
PIN 10	I +
PIN 11	I +
PIN 12	I +
PIN 13	O 1
PIN 14	O 2
PIN 15	O 3
PIN 16	O 4
PIN 17	O -
PIN 18	O -
PIN 19	O -
PIN 20	O -
Connection	Spring clamp terminals FK
Family construction form	terminal
Gender	female
Color contact carrier	gray
No. of poles	4
PIN 21	AUX +
PIN 22	AUX +
PIN 23	AUX -
PIN 24	AUX -

X-ON Electronics

Largest Supplier of Electrical and Electronic Components

Click to view similar products for [I/O Modules](#) category:

Click to view products by [Murr Elektronik](#) manufacturer:

Other Similar products are found below :

[70L-OAC-L](#) [G21960000700](#) [G34960002700](#) [G88104401](#) [IDC-5B](#) [OACU](#) [C4SWOUT](#) [FC6A-T32K3](#) [SNAP-OAC5MA](#) [FC6A-N16B3](#)
[FC6A-N32B3](#) [FC6A-T16P3](#) [G3TAOD201SDC24](#) [PB32HQ](#) [PB16T](#) [PB8](#) [PB8H](#) [C200H-OD211](#) [GT1-AD04CST](#) [GT1-DA04](#) [70GRCQ24-](#)
[HS](#) [M-OAC5](#) [G4OAC24AMA](#) [2736505](#) [6202](#) [6402](#) [IL MOD BK DI8 DO4-PAC](#) [FC6A-J2C1](#) [FC6A-KC1C](#) [FC6A-N08A11](#) [FC6A-M24BR1](#)
[FC6A-K4A1](#) [FC6A-T32P3](#) [9-1393028-2](#) [GP32900003700](#) [641-480-5022](#) [PB16H](#) [WISE-4050/LAN-B](#) [WISE-S614T-A](#) [ADAM-4068-C](#)
[56475](#) [ADAM-4017+-F](#) [ADAM-4118-C](#) [AMAX-4856-B](#) [WISE-4050-B](#) [ADAM-4051-C](#) [ADAM-4053-F](#) [GT1-AD08MX](#) [TM5SDO6TBFS](#)
[70Q3446](#)