

**MVP8-P3 DIO4 DIO4 8xM8-3 IOLB12 B0**

IO-Link Class B Hub

IO-Link hub in 30 mm plastic housing

1 × M12 IO-Link Class B

8 × M8 I/O

8 configurable digital inputs/outputs

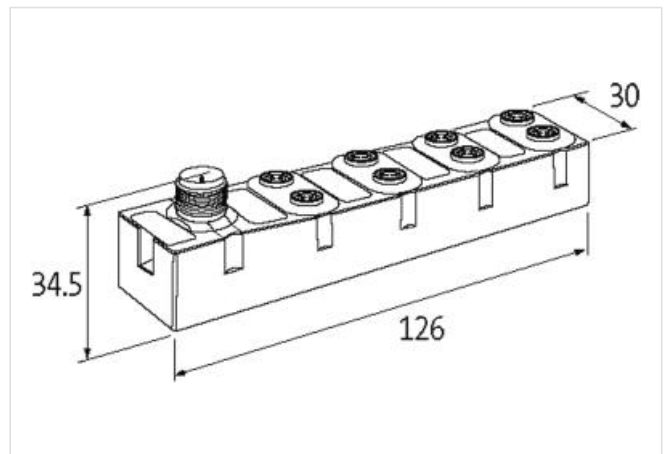
Galvanically isolated voltage groups

Preconfigured parameter range

Connection cables are in the online shop under "Connection Technology".

[Link to Product](#)**Illustration**

Product may differ from Image

**Commercial data**

ECLASS-6.0	27242604
ECLASS-6.1	27242604
ECLASS-7.0	27242604
ECLASS-8.0	27242604
ECLASS-9.0	27242604
ECLASS-10.1	27242604
ECLASS-11.1	27242604
ECLASS-12.0	27242604
customs tariff number	85389099
GTIN	4048879865029
Packaging unit	1

**Electrical data | Supply**

Operating voltage DC	24 V
Operating voltage US DC	24 V
Operating voltage US DC min.	18 V
Operating voltage US DC max.	30 V
Operating voltage UA DC	24 V
Operating voltage UA DC min.	18 V

Operating voltage UA DC max.	30 V
Current consumption max.	50 mA
Total current UA max.	4 A
Total current US max.	4 A

**Electrical data | Input**

Type input	Type 1, Type 3
Current operating per 2 ports max.	1 A (X0+X1, X2+X3, X4+X5, X6+X7)
Input filter time	1 ms

**Electrical data | Output**

Output current per pin max.	2 A
-----------------------------	-----

**Industrial communication | IO-Link**

IO-Link process data length output	2 Bytes
IO-Link process data length input	2 Bytes
IO-Link revision ID	V1.1.2
IO-Link revision compatibility	V1.1.3
IO-Link type	Device
IO-Link cycle time min.	1 ms
IO-Link transmission rate	COM3 (230.4 kbit/s)
Port Class	B

**Diagnostics**

Actuator warning	yes
Diagnostic via LED	per module and channel
IO-Link events	No voltage, Undervoltage supply
Short circuit diagnosis	yes
LED display	Ethernet connection/data traffic
Status indication LED	green
Overload diagnosis	yes

**Device protection | Electrical**

Installation height max. ASL	3000 m
Degree of protection (EN IEC 60529)	IP68
Overload resistant	yes
Short-circuit protected	yes
Galvanic separation US/UA	yes

**Mechanical data | Mounting data**

Suitable for mounting type	2-hole screw mounting
Height	126 mm
Width	30 mm
Depth	34,5 mm

**Environmental characteristics | Climatic**

Operating temperature min.	-25 °C
Operating temperature max.	70 °C
Storage temperature min.	-40 °C
Storage temperature max.	85 °C

**Conformity**

Product standard	EN 61131-2
------------------	------------

**Connection type 3**

Connection type 1	X0-X3
Connection type 2	X4-X7
Connection type 3	XZ1
Family construction form	M8
Gender	female

Color contact carrier	black
Coding	A
No. of poles	3
PIN 1	24 V DC UA
PIN 3	0 V UA
PIN 4	DIO UA
Family construction form	M8
Gender	female
Color contact carrier	black
Coding	A
No. of poles	3
PIN 1	24 V DC US
PIN 3	0 V US
PIN 4	DIO US
Family construction form	M12
Gender	male
Coding	A
No. of poles	5
PIN 1	24 V DC US (L +)
PIN 2	24 V DC UA (P 24)
PIN 3	0 V US (L -)
PIN 4	C / Q / IO-Link
PIN 5	0 V UA (N 24)

## X-ON Electronics

Largest Supplier of Electrical and Electronic Components

*Click to view similar products for [I/O Modules](#) category:*

*Click to view products by [Murr Elektronik](#) manufacturer:*

Other Similar products are found below :

[70L-OAC-L](#) [G21960000700](#) [G34960002700](#) [G88104401](#) [IDC-5B](#) [OACU](#) [C4SWOUT](#) [FC6A-T32K3](#) [SNAP-OAC5MA](#) [FC6A-N16B3](#)  
[FC6A-N32B3](#) [FC6A-T16P3](#) [G3TAOD201SDC24](#) [PB32HQ](#) [PB16T](#) [PB8](#) [PB8H](#) [C200H-OD211](#) [GT1-AD04CST](#) [GT1-DA04](#) [70GRCQ24-](#)  
[HS](#) [M-OAC5](#) [G4OAC24AMA](#) [2736505](#) [6202](#) [6402](#) [IL MOD BK DI8 DO4-PAC](#) [FC6A-J2C1](#) [FC6A-KC1C](#) [FC6A-N08A11](#) [FC6A-M24BR1](#)  
[FC6A-K4A1](#) [FC6A-T32P3](#) [9-1393028-2](#) [GP32900003700](#) [641-480-5022](#) [PB16H](#) [WISE-4050/LAN-B](#) [WISE-S614T-A](#) [ADAM-4068-C](#)  
[56475](#) [ADAM-4017+-F](#) [ADAM-4118-C](#) [AMAX-4856-B](#) [WISE-4050-B](#) [ADAM-4051-C](#) [ADAM-4053-F](#) [GT1-AD08MX](#) [TM5SDO6TBFS](#)  
[70Q3446](#)