

EUROCARD HOLDER

SKP 32/1 F, 250V/4A, row b,z

Screw terminals
32-pole F (EN 60603)
Row b, z
250 V AC

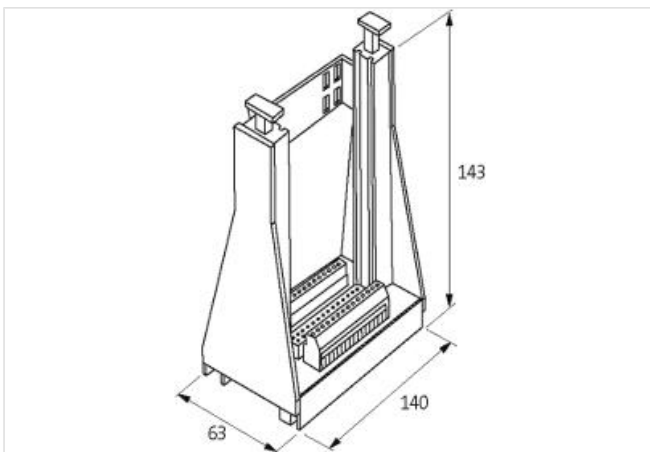
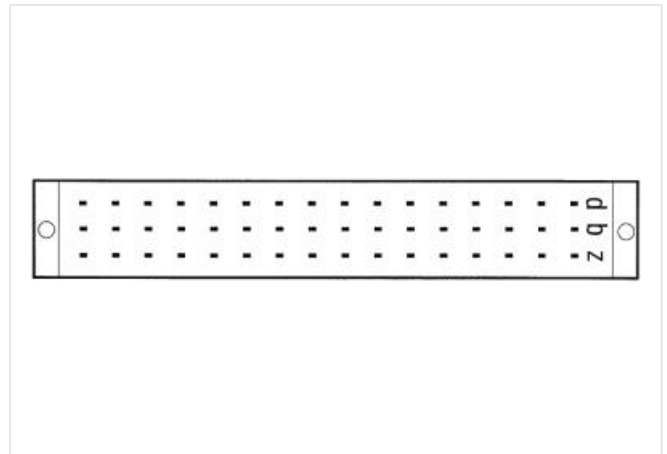
With the vertical snap adapter SASA 135 Art.-No. 63900 the holder can be mounted at right-angles on the rail.

The D2 size is for a card without a front plate.

To insert the card first press down the 2 yellow buttons. Then slide the Eurocard into the guide slots pushing until fully engaged. The card is now locked into position. It can be removed by pressing down on the 2 yellow buttons.

[Link to Product](#)

Illustration



Product may differ from Image



Commercial data

ECLASS-6.0	27260710
ECLASS-6.1	27260704

ECLASS-7.0	27440402
ECLASS-8.0	27440402
ECLASS-9.0	27440402
ECLASS-10.1	27440402
ECLASS-11.1	27460201
ECLASS-12.0	27460201
ETIM-5.0	EC002780
customs tariff number	85366990
GTIN	4048879042192
Packaging unit	1

Electrical data | Supply

Operating voltage AC	250 V
Operating current max.	4 A

Installation

Connection cross-section solid max.	4 mm ²
-------------------------------------	-------------------

Installation | Pin assignment

No. of poles	32
--------------	----

Device protection | Electrical

Overvoltage category (EN 60664-1)	I
-----------------------------------	---

Device protection | Media

Flame resistance	flame retardant
------------------	-----------------

Mechanical data

Type of socket connector	F (EN 60603)
--------------------------	--------------

Mechanical data | Material data

Material housing	Plastic
------------------	---------

Mechanical data | Mounting data

Mounting method	screwed, geschnappt
Suitable for mounting type	mounting rail, (EN 60715)

X-ON Electronics

Largest Supplier of Electrical and Electronic Components

Click to view similar products for [PCI Express/PCI Connectors](#) category:

Click to view products by [Murr Elektronik](#) manufacturer:

Other Similar products are found below :

[PCIEEXT16HOT](#) [UEX220-6U](#) [10025026-10003PLF](#) [10125756-980000LF](#) [GPCP442628110HR](#) [GPCP245400111HR](#) [10082378-10000TLF](#)
[MDT580M03001](#) [MPE-D-52-R-SMT-9.2-TR](#) [2041216-1](#) [MDT580M01001](#) [10141523-111T0LF](#) [10146070-112Y0LF](#) [10150657-052R0LF](#)
[1759513-1](#) [10082378-10213TLF](#) [10123920-A20LF](#) [10124928-001LF](#) [10125101-A15RLF](#) [10125101-A30RLF](#) [10125756-642010LF](#)
[10125756-A42010LF](#) [1612257-7](#) [1-1612257-2](#) [10125756-A40010LF](#) [10151114-001TLF](#) [SM3ZS067U215AMR1500](#) [10146070-113X0LF](#)
[MDT320M01004](#) [MDT580M01003](#) [10146070-123X0LF](#) [MDT420STD001](#) [10146070-113B0LF](#) [10146069112X0LF](#) [1-1734774-2](#) [63010](#)
[74540-0201](#) [74540-0501](#) [7-1734774-7](#) [3-1761465-1](#) [10039755-10111TLF](#) [10039755-10112TLF](#) [10018783-10211TLF](#) [10018784-10212TLF](#)
[1761465-2](#) [87715-9202](#) [87715-9208](#) [1871058-1](#) [5-1761465-4](#) [10018783-10200MLF](#)