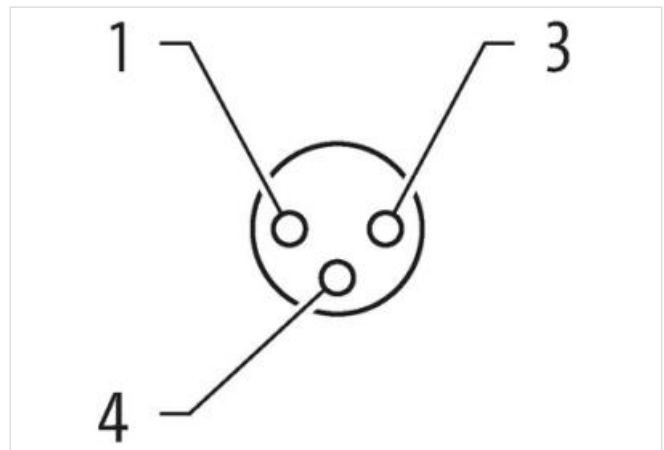
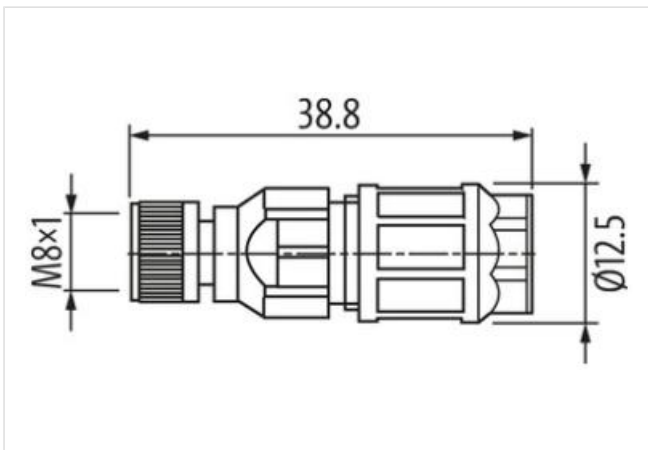
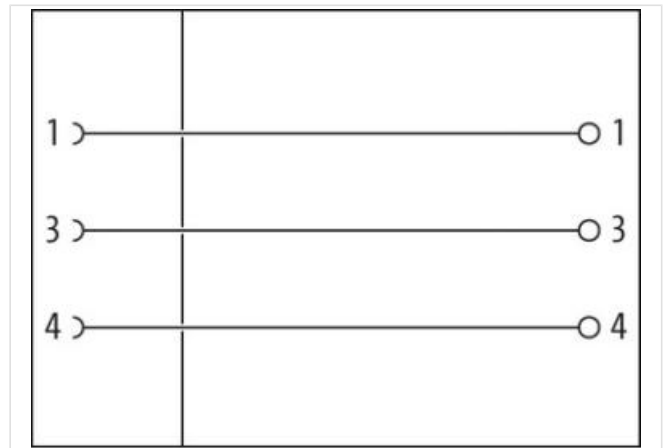


M8 female 0° A-cod. IDC3-pol., 0,25 - 0,5mm², 2,5 - 5mm

IDC terminals

Female straight

M8, 3-pole

Connection cross section: 0.25...0.5 mm²[Link to Product](#)**Illustration**

Product may differ from Image

**Side 1**

| | |
|-------------------------------------|-------------------|
| Mounting method | inserted, screwed |
| Family construction form | M8 |
| Material contact | Copper alloy |
| Material | PA |
| No. of poles | 3 |
| Degree of protection (EN IEC 60529) | IP65, IP67 |

| Commercial data | |
|--|---|
| ECLASS-6.0 | 27279221 |
| ECLASS-7.0 | 27440104 |
| ECLASS-8.0 | 27440104 |
| ECLASS-9.0 | 27440102 |
| ECLASS-10.1 | 27440102 |
| ECLASS-11.1 | 27440102 |
| ECLASS-12.0 | 27440116 |
| ETIM-5.0 | EC002635 |
| customs tariff number | 85366990 |
| GTIN | 4048879784801 |
| Packaging unit | 1 |
| Electrical data Supply | |
| Operating voltage AC max. | 48 V |
| Operating voltage DC max. | 60 V |
| Current operating per contact max. | 4 A |
| Installation | |
| Connection cross section min. | 0,25 mm ² |
| Connection cross section max. | 0,5 mm ² |
| Installation Connection | |
| Wire insulation diameter min. | 1,1 mm |
| Wire insulation diameter max. | 1,55 mm |
| Connection | Cut clamps IDC |
| Mounting set | M8 x 1 |
| Mating cycles min. | 100 |
| Device protection Electrical | |
| Additional condition protection degree | inserted, screwed |
| Pollution Degree | 3 |
| Rated surge voltage | 0,8 kV |
| Insulation resistance min. | 100 MΩ |
| Material group (IEC 60664-1) | III |
| Overvoltage category (EN 60950-1) | II |
| Mechanical data Material data | |
| Coating contact | gold plated |
| Coating locking | Nickel |
| Material gasket | NBR |
| Material contact carrier | TPU |
| Locking material | Zinc die-casting |
| Mechanical data Mounting data | |
| Mounting method | Hexagonal screw, Hexagonal nut |
| Clamping range min. | 2,5 mm |
| Clamping range max. | 5 mm |
| Looking techniques | Schraubgewinde |
| Environmental characteristics Climatic | |
| Operating temperature min. | -25 °C |
| Operating temperature max. | 80 °C |
| Important installation notes | |
| Note on strain relief | Protect the connectors by suitable measures from mechanical loads, e.g. by the usage of cable ties. |
| Note on bending radius | Attention: Observe the permissible bending radii when laying cables, as the IP protection class can be endangered by excessive bending forces. |
| Conformity | |

Product standard

DIN EN 61076-2-114 (M8)

X-ON Electronics

Largest Supplier of Electrical and Electronic Components

Click to view similar products for [Circular DIN Connectors](#) category:

Click to view products by [Murr Elektronik](#) manufacturer:

Other Similar products are found below :

[D38999/20MJ37PB](#) [75-190222-09G](#) [FRCIR030FP-36-10P-F80](#) [FRCIR08F-18-19S-F80](#) [FRCIR08R-36-7S-F80](#) [8R3006A18M0033](#) [PT05A-14-18SW\(023\)](#) [PT05A-14-5SX](#) [GTC01A-22-28P](#) [PT05A1832SW](#) [PT05A2041SX](#) [PT05SE1832SWLC](#) [PT05SE1832SYLC](#)
[GTC030-20-27PW-LC](#) [ACC06AF-20-23P\(003\)](#) [1210500311](#) [1210503216](#) [ACS00F-16-10S\(003\)](#) [ACS06AF-16-10P\(003\)](#) [D38999/42FE35AN](#)
[D38999/46WE6SN](#) [MS3100F22-23S](#) [MS3100R36-5S](#) [MS3101E28-21S](#) [MS3101E2821SX](#) [MS3102E184PW](#) [MS310314S-5P](#) [MS310314S-6P](#) [MS310314S-7P](#) [MS310322-8S](#) [MS3114F10-6P](#) [MS3116E8-4SW](#) [MS3122E10-6PW](#) [MS3456W28-21PZ-LC](#) [C18213N21](#) [CA3100E14S-9PB](#) [CA3100E14SA7P](#) [CA3100E16-10S](#) [CA3100E16S-8PBF80](#) [CA3100E18-1SBF80A176](#) [CA3100E20-7SB-F80-A176](#) [CA3100E22-14SB](#) [CA3100E22-14SBF80](#) [CA3100E22-19PBF80](#) [CA3100E22-22SB](#) [CA3100E22-22SBF80](#) [CA3100E22-2SBF80](#) [CA3100E22-7PB](#)
[CA3100E28-21PWB02](#) [CA3100E32-15PB](#)