

**MSUD valve plug A-18mm with cable**

PVC 3x0.75 gy 1.5m

MSUD

Form A (18 mm)

110 V AC/DC ±10%

LED and suppression

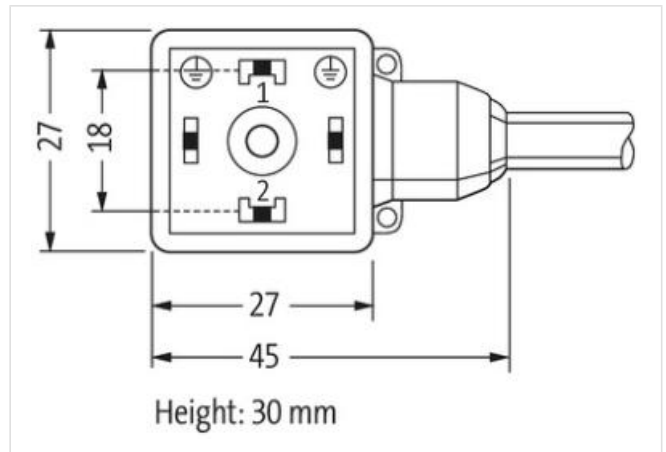
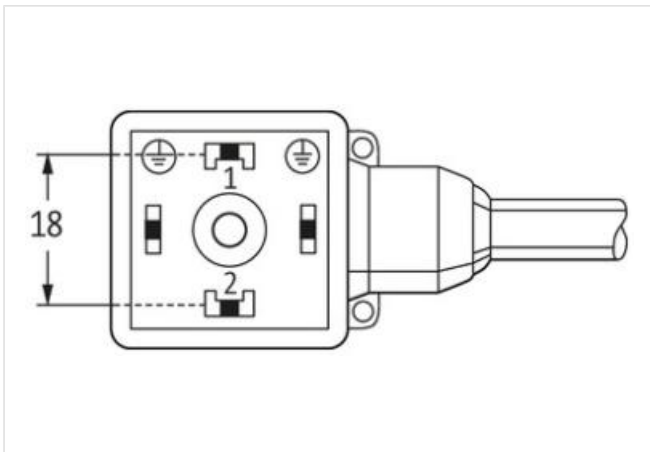
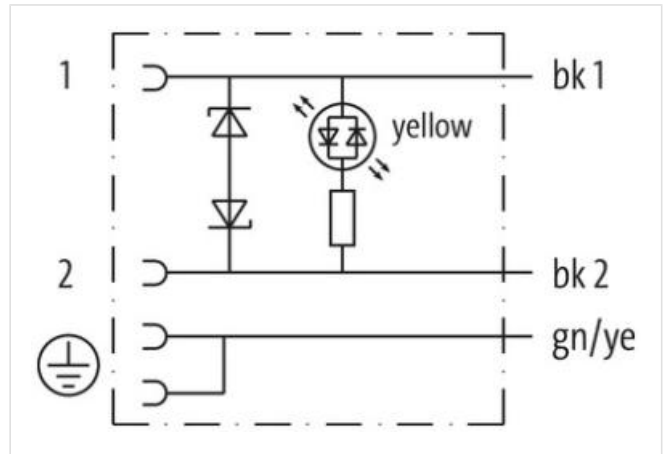
Further cable lengths on request.

Plastic housings with good resistance against chemicals and oils.

The resistance to aggressive media should be individually tested for your application. Further details on request.

[Link to Product](#)

**Illustration**



Product may differ from Image



Cable length 1,5 m

**classifications**

ECLASS-6.0 27279218

|             |          |
|-------------|----------|
| ECLASS-6.1  | 27279218 |
| ECLASS-7.0  | 27279218 |
| ECLASS-8.0  | 27279218 |
| ECLASS-9.0  | 27060312 |
| ECLASS-10.1 | 27060312 |
| ECLASS-11.1 | 27060312 |
| ECLASS-12.0 | 27060312 |
| ETIM-5.0    | EC001855 |

#### Technical Data

|                               |  |
|-------------------------------|--|
| Operating voltage             | 110 V AC/DC $\pm 10\%$                 |
| Operating current per contact | max. 4 A                               |
| Switch off peak               | max. 250 V                             |
| Locking of ports              | M3 (recommended torque 0.4 Nm)         |
| Protection                    | IP67 inserted and tightened (EN 60529) |
| Housing                       | Black plastic (gray on request)        |
| Switch off delay time         | max. 20 ms                             |

#### General data

|                   |  |
|-------------------|--|
| Temperature range | -25...+85 °C, depending on cable quality |
|-------------------|--|

#### Cable

|                                     |  |
|-------------------------------------|--|
| Cable identification                | 216  |
| Cable Type                          | 1 (PVC)  |
| Approval (cable)                    | CE conform                                     |
| Cable weight [g/m]                  | 63,8 g   |
| Material wire                       | Cu wire, bare                                  |
| Resistor (core)                     | max. 26 $\Omega$ /km (20 °C)                   |
| Single wire $\varnothing$ (core)    | 0.2 mm   |
| Construction (core)                 | 24 $\times$ 0.2 mm (multi-strand wire class 5) |
| Diameter (core)                     | 3 $\times$ 0.75 mm <sup>2</sup>                |
| AWG                                 | similar to AWG 18                              |
| Material wire isolation             | PVC  |
| Material property wire insulation   | CFC-, cadmium-, silicone- and lead-free        |
| Shore hardness wire isolation       | 43 $\pm$ 5 D                                   |
| Wire- $\varnothing$ incl. isolation | 1.8 mm $\pm 5\%$                               |
| Color/numbering of wires            | bk numbered, gnye longitudinally striped       |
| Stranding combination               | 3 wires twisted                                |
| Shield                              | no   |
| Material jacket                     | PVC  |
| Material property (jacket)          | CFC-, cadmium-, silicone- and lead-free        |
| Shore hardness jacket               | 80 $\pm$ 5 A                                   |
| Outer- $\varnothing$ (jacket)       | 5.9 mm $\pm 5\%$                               |
| Color jacket                        | gray   |
| chemical resistance                 | good resistance to oil, gasoline and chemicals |
| Nominal voltage                     | 300/500 V AC                                   |
| Test voltage                        | 3000 V AC                                      |
| Current load capacity               | to DIN VDE 0298-4                              |
| Temperature range (fixed)           | -30...+70 °C                                   |
| Temperature range (mobile)          | -5...+70 °C                                    |
| Bend radius (fixed)                 | 5 $\times$ outer $\varnothing$                 |
| Bend radius (moving)                | 10 $\times$ outer $\varnothing$                |

#### Commercial data

|                       |               |
|-----------------------|---------------|
| customs tariff number | 85444290      |
| GTIN                  | 4048879193214 |
| Packaging unit        | 1             |



## X-ON Electronics

Largest Supplier of Electrical and Electronic Components

*Click to view similar products for [Sensor Cables / Actuator Cables](#) category:*

*Click to view products by [Murr Elektronik](#) manufacturer:*

Other Similar products are found below :

[60963](#) [60964](#) [M83513/19-F01CP](#) [703000D02F2002](#) [703000D02F300](#) [703001D02F0602](#) [703001D02F1201](#) [703001D02F300](#)  
[773032K02F030](#) [802027213811-1](#) [804001A09M150](#) [805001A09M0502](#) [84914-0235](#) [84914-0237](#) [885030A09M010](#) [8R4006A18M010](#)  
[8R4J30E03C3003](#) [1200650503](#) [1200651713](#) [1200660844](#) [1200660845](#) [1200661173](#) [1200680071](#) [1200720053](#) [1200720081](#) [1200720099](#)  
[1200720217](#) [1200800231](#) [1200860125](#) [1200870123](#) [1200660183](#) [1200660782](#) [1200660849](#) [1200661295](#) [1200661297](#) [1200661342](#)  
[1200661343](#) [1200670080](#) [1200680331](#) [1200720252](#) [1200720255](#) [1200720597](#) [1200730184](#) [1200860344](#) [1200870359](#) [1200870643](#)  
[1200980008](#) [1200980031](#) [1210502211](#) [1210400542](#)