

M12 male 0° / M12 male 0° D-cod. shielded

TPE 2x2x24AWG SF/UTP CAT5e bu UL/CSA. CM 3m

USA

Ethernet CAT5

The resistance to aggressive media should be individually tested for your application. Further details on request.

Male straight – male straight

M12 – M12, 4-pole

D-coded

shielded

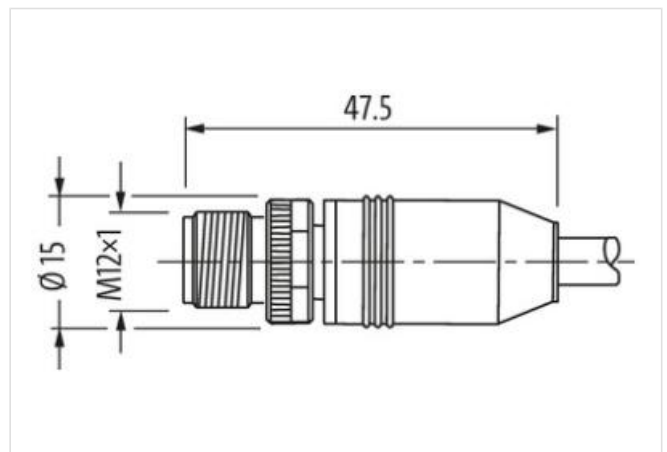
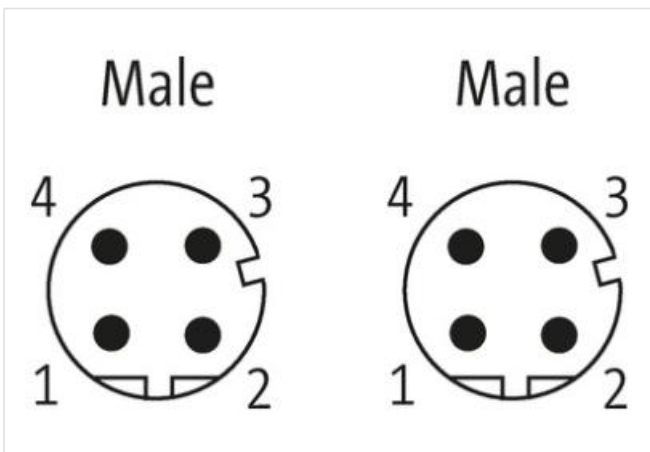
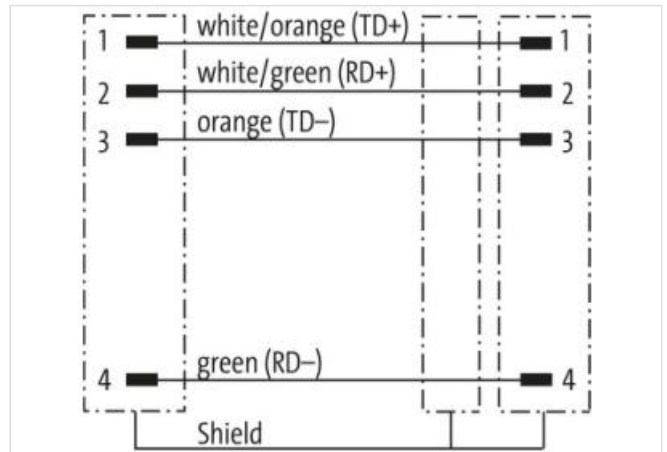
without cable sleeves

Further cable lengths on request.

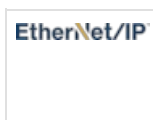
Plastic housings with good resistance against chemicals and oils.

[Link to Product](#)

Illustration



Product may differ from Image



Cable length 3 m

classifications

| | |
|-------------|----------|
| ECLASS-6.0 | 27061801 |
| ECLASS-7.0 | 27061801 |
| ECLASS-8.0 | 27061801 |
| ECLASS-9.0 | 27061801 |
| ECLASS-10.1 | 27060307 |
| ECLASS-11.1 | 27060307 |
| ECLASS-12.0 | 27060307 |
| ETIM-5.0 | EC002599 |

Technical Data

| | |
|---|--|
| Operating voltage | max. 60 V DC |
| Rated surge voltage | 1.5 kV |
| Operating current per contact | max. 4 A |
| | 1.5 A |
| No. of poles | 4 |
| Transfer parameters | CAT5, Class D (ISO/IEC 11801:2002), (EN 50173-1) |
| Transfer rate | up to 100 Mbit/s full duplex |
| Material group | IEC 60664-1, category I |
| Coding | D-coded |
| LED display | no |
| Locking of ports | Screw thread (M12×1 mm) recommended torque 0.6 Nm, self-securing |
| Protection | IP65, IP66K, IP67 inserted and tightened (EN 60529) |
| Material | PUR |
| Locking material | Zinc die casting, matte nickel plated |
| suitable for corrugated tube (internal Ø) | without |
| Compression gland | M12 (SW13) |

General data

| | |
|-------------------|--|
| Standards | DIN EN 61076-2-101 (M12) |
| Mounting method | inserted, tightened |
| Pollution Degree | 3 |
| Temperature range | -25...+85 °C, depending on cable quality |

Cable

| | |
|----------------------------|----------------------------|
| Cable identification | S4U |
| Cable weight [g/m] | 55,66 g |
| Material wire | Cu wire, tin plated |
| Construction (core) | 7× 0.203 mm |
| Diameter (core) | 2× 2× 0.25 mm ² |
| AWG | similar to AWG 24 |
| Material wire isolation | HDPE |
| Wire-Ø incl. isolation | 1.22 mm ±5% |
| Color/numbering of wires | (wh-or, or) + (wh-gn, gn) |
| Stranding combination | 2 pairs twisted together |
| Shield | yes |
| Shield (Type) | Copper braid |
| Optical shield cover | min. 75% |
| Material jacket | TPE |
| Outer-Ø (jacket) | 6.6 mm ±5% |
| Color jacket | blue |
| Nominal voltage | 1500 V AC |
| Temperature range (fixed) | -40...+80 °C |
| Temperature range (mobile) | -40...+80 °C |
| Bend radius (moving) | 10× outer Ø |

The information in this Product-PDF has been compiled with the utmost care.

Liability for the correctness completeness and topicality of the information is restricted to gross negligence. Version: 2023-09-16

Murrelektronik Inc. | 1327 Northbrook Parkway, Suite 460 | Suwanee, GA 30024 | Fon +1 770 497-9292 | Fax +1 770 497-9391 | shop@murrinc.com | shop.murrinc.com

| | |
|---------------------------------|---------------------------|
| No. of bending cycles (C-track) | max. 35 Mio. (25 °C) |
| Travel speed (C-track) | max. 1.2 m/s |
| Acceleration (C-track) | max. 2.4 m/s ² |
| Torsion stress | ±270°/m |
| No. of torsion cycles | max. 3 Mio. (25 °C) |
| Torsion speed | 60 cycles/min |

Commercial data

| | |
|-----------------------|---------------|
| customs tariff number | 85444290 |
| GTIN | 4048879605847 |
| Packaging unit | 1 |

X-ON Electronics

Largest Supplier of Electrical and Electronic Components

Click to view similar products for [Sensor Cables / Actuator Cables](#) category:

Click to view products by [Murr Elektronik](#) manufacturer:

Other Similar products are found below :

[60963](#) [60964](#) [M83513/19-F01CP](#) [703000D02F2002](#) [703000D02F300](#) [703001D02F0602](#) [703001D02F1201](#) [703001D02F300](#)
[773032K02F030](#) [802027213811-1](#) [804001A09M150](#) [805001A09M0502](#) [84914-0235](#) [84914-0237](#) [885030A09M010](#) [8R4006A18M010](#)
[8R4J30E03C3003](#) [1200650503](#) [1200651713](#) [1200660844](#) [1200660845](#) [1200661173](#) [1200680071](#) [1200720053](#) [1200720081](#) [1200720099](#)
[1200720217](#) [1200800231](#) [1200860125](#) [1200870123](#) [1200660183](#) [1200660782](#) [1200660849](#) [1200661295](#) [1200661297](#) [1200661342](#)
[1200661343](#) [1200670080](#) [1200680331](#) [1200720252](#) [1200720255](#) [1200720597](#) [1200730184](#) [1200860344](#) [1200870359](#) [1200870643](#)
[1200980008](#) [1200980031](#) [1210502211](#) [1210400542](#)