

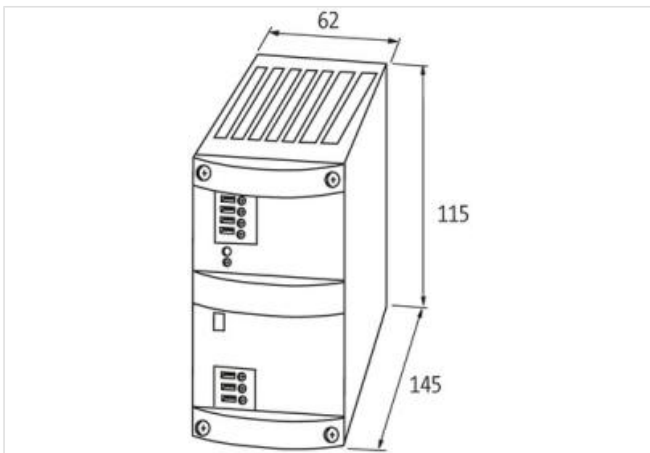
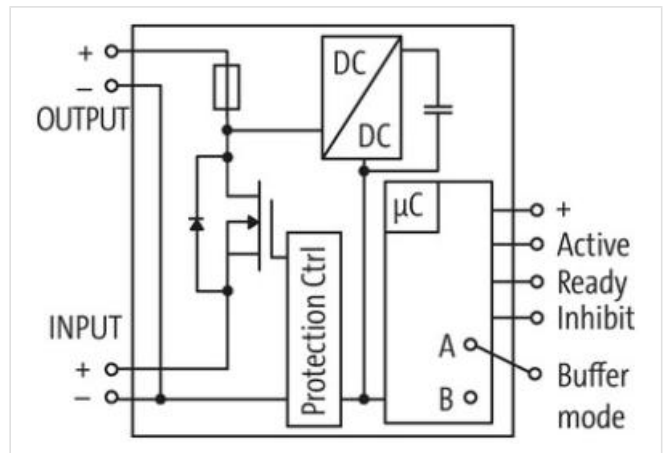
MB CAP BUFFER MODULE

IN:23-30 VDC OUT:22-28VDC/20A for 200ms

INPUT: 24 V DC (SELV/PELV)
 OUTPUT: max. 20 A
 0.2 s (20 A); 4 s (1 A)

[Link to Product](#)

Illustration



Product may differ from Image



Input

Input voltage	23...30 V DC (SELV/PELV)
Protection of voltage spikes	max. 35 V DC
Loading current	max. 500 mA
Loading time	20...45 s
Input current	85 mA

Output

The information in this Product-PDF has been compiled with the utmost care. Liability for the correctness completeness and topicality of the information is restricted to gross negligence. Version: 2023-06-22

Output voltage	24 V DC (22...28 V DC)
Parallel circuit	possible
Current limit	26 A
Buffer time	0.2 s (20 A); 4 s (1 A)
Output current	max. 20 A (+70 °C)
Ripple	max. 200 mV ss/pp

General data

Standards	EN 61000-6-2, EN 61000-6-3, EN 55022 B, EN 60950-1, SELV
Mounting method	DIN-rail mountable TH35 (EN 60715)
Temperature range	0...+70 °C (storage temperature -25...+85 °C)
Efficiency	95%

X-ON Electronics

Largest Supplier of Electrical and Electronic Components

Click to view similar products for [DIN Rail Power Supplies](#) category:

Click to view products by [Murr Elektronik](#) manufacturer:

Other Similar products are found below :

[DVP01PU-S](#) [DVP06AD-S](#) [DVPPS02](#) [PS9Z-5R1G](#) [PS-C24024](#) [ADNB017-24-1PM-C](#) [ADNB040-24-1PM-C](#) [ADNB034-12-1PM-C](#)
[SS14011524](#) [PS-UPS40](#) [S8T-BUS03](#) [PS-S4024](#) [NTPS-24-1.3](#) [PS-10024](#) [PS-S10024](#) [PS-C12024](#) [PSP-480S24](#) [PS-C48024](#) [PS-C480P24](#)
[PSC-2024](#) [PSC-4012](#) [PSC-4048](#) [PSC-9615](#) [PSC-15124](#) [PSC-15148](#) [PSC-24148](#) [PSC-48148](#) [TRIO-PS-2G/1AC/12DC/5/C2LP](#)
[PSS18/24/0.75](#) [PSS120/24/5](#) [96PSD-A40W24-MM](#) [PSD-A120W12](#) [NDR-7524](#) [NDR-12024](#) [SCP30D512-DN](#) [SCP30S24-DN](#)
[SDN20-24-100C](#) [SDN40-24-480C](#) [AMED75-48SJZ](#) [1SVR427043R1200](#) [1110466](#) [50995](#) [50903](#) [50997](#) [EL50-D](#) [18924-9989](#) [50996](#) [HDN-3024](#) [LWR1601-6ER](#) [1170952](#)