

MB REDUNDANCY BALANCE

IN: 24VDC/2x20ADC OUT: 24V/20-40ADC

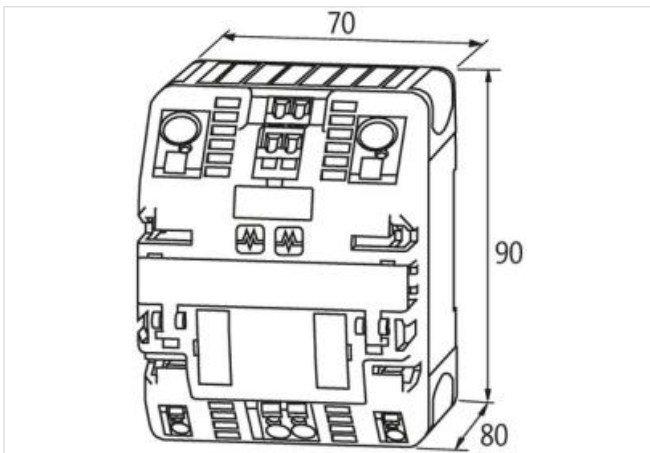
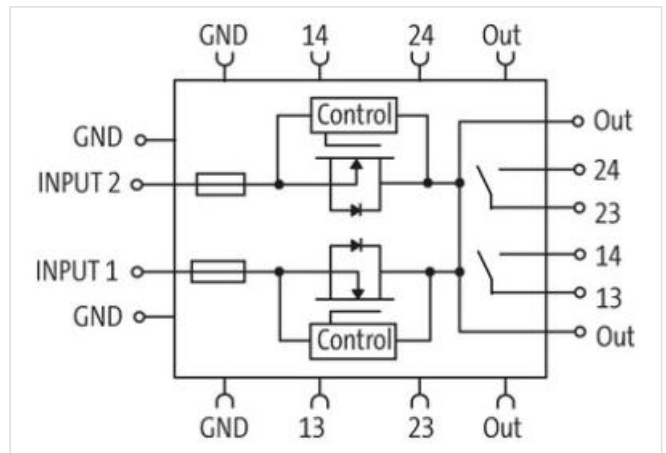
INPUT: 24 V DC (SELV/PELV)

OUTPUT: max. 2x 20/1x 40 A

low power loss (MOSFET-Technology)

[Link to Product](#)

Illustration



Product may differ from Image



Commercial data

ECLASS-6.0	27049190
ECLASS-6.1	27049002
ECLASS-7.0	27049002
ECLASS-8.0	27049002
ECLASS-9.0	27040701
ECLASS-10.1	27040701

ECLASS-11.1	27040701
ECLASS-12.0	27040701
ETIM-5.0	EC002540
customs tariff number	85044095
GTIN	4048879384698
Packaging unit	1

Electrical data

Number of devices parallel connection max.	2
Parallel connection	yes

Electrical data | Supply

Total current max.	40 A
--------------------	------

Electrical data | Input

Input voltage DC	24 V
Input voltage DC min.	18 V
Input voltage DC max.	30 V
Current input AC	20 A
Total current bridge set max.	40 A
Efficiency	99,5 %

Electrical data | Output

Output voltage DC	24 V
Output voltage DC min.	18 V
Output voltage DC max.	30 V
Output voltage adjustable	yes
Output current	26 A

Diagnostics

Alarm contact	yes
Alarm contact message content	input voltage / load distribution
Alarm contact potential free	yes

Installation | Connection

Connection	Spring clamp terminals FK
------------	---------------------------

Device protection | Electrical

Invers-polarity protection	yes
----------------------------	-----

Mechanical data | Mounting data

Mounting method	geschnappt
Suitable for mounting type	Mounting rail TH35, (EN 60715)

Environmental characteristics | Climatic

Operating temperature min.	-25 °C
Operating temperature max.	60 °C
Storage temperature min.	-40 °C
Storage temperature max.	85 °C
Relative humidity min. (operation)	5 %
Relative humidity max. (operation)	95 % no condensation

X-ON Electronics

Largest Supplier of Electrical and Electronic Components

Click to view similar products for [Solid State Relays - Industrial Mount](#) category:

Click to view products by [Murr Elektronik](#) manufacturer:

Other Similar products are found below :

[D2440-C](#) [H10CA4890](#) [H10CD4890](#) [D4840B](#) [D4875C](#) [1395831-1](#) [SE-K4EN](#) [A-1326](#) [H10CA4850](#) [H12CA4890VL](#) [RA2410-D06](#)
[RA2410HA06T](#) [TD1205](#) [D53TP50-10](#) [W230E-1-12](#) [W230T-3-12](#) [1-1617030-3](#) [MS2-D2420](#) [MS2-D2430](#) [A-1440](#) [G3TAOD201SDC24](#) [1-](#)
[1617033-0](#) [G3SD-Z01P-PE](#) [DC24](#) [SMT8628521](#) [ESUC0480](#) [SRH3-1440R](#) [XKA70420](#) [G3PH-5150BAC100-240](#) [GN325DSZH](#)
[GN350ASZH](#) [GN325ASZH](#) [GN350DSZH](#) [1109564](#) [G3NB-225B-1](#) [DC5-24](#) [GNRD06CDL](#) [GN325DSRH](#) [GNR25DCZH](#) [52511](#) [CWH-62-](#)
[WO](#) [E-1048-8I4-C3D4V1-4U3-10A](#) [E-1048-8I4-C3D1V0-4U3-5A](#) [RGC1P60CM25KEN](#) [48ATE3S00X204](#) [48BTG3S00X204](#) [GNR25ACZH](#)
[RA4025H10PCS](#) [RKD2A60D50P](#) [RK2A60D50P](#) [RK2A60D75P](#) [PVG612](#)