

EMPARRO IP67 Power Supply 1-phase

OUT: 24VDC 10A - 7/8" 5P - SELV

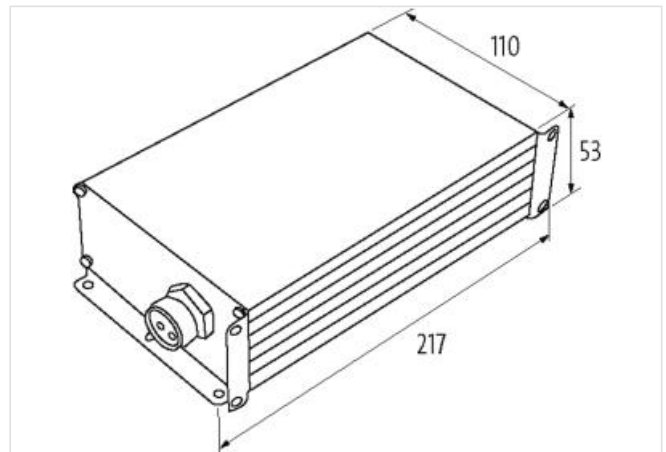
Emparro®67 Hybrid
 2× MICO 7/8" IOL
 5-pole
 Current: 10 A
 INPUT: 90...265 V AC/90...265 V DC
 OUTPUT: 24...28 V DC
 Preventive Diagnostic
 Over current protection device
 controllable via IO-Link

Link to Product

Illustration



Product may differ from Image



Electrical data

Parallel connection	no
Series connection	no
Security level	SELV

Electrical data | Supply

Power frequency	50 ... 60 Hz
-----------------	--------------

Electrical data | Input

Fuse protection primary side internal	6,3 A
Characteristic back-up fuse	Inertia
Voltage input AC	240 V
Input voltage AC min.	90 V
Input voltage AC max.	265 V
Input voltage DC min.	90 V
Input voltage DC max.	265 V
Current input AC	1,2 A
Inrush current max.	5,9 A @ 230 V

Efficiency 91,6 % @ 115 V AC, 92,8 % @230 V AC

Electrical data | Output

Number of output channels	2
Output voltage DC	24 V
Output voltage DC min.	24 V
Output voltage DC max.	28 V
Output voltage adjustable	yes
Output current per channel max.	8 A
Output current max.	10 A
Min. mains failure bridging	20 ms @ 230 V AC
Ripple effective max.	10 mV
Spikes (s-s) max.	150 mV

Device protection | Electrical

Degree of protection (EN IEC 60529)	IP67
Short-circuit protection output	yes
Overload protection output	yes
Overtemperature protection output	yes

Mechanical data | Mounting data

Suitable for mounting type	6 hole screw mounting
Height	216 mm
Width	110 mm
Depth	53 mm

Environmental characteristics | Climatic

Operating temperature min.	-25 °C
Operating temperature max.	80 °C
Derating from	50 °C
Storage temperature min.	-25 °C
Storage temperature max.	85 °C
Relative humidity min. (operation)	4 %
Relative humidity max. (operation)	100 %

Technical Data | Reliability

MTBF	430000 h
------	----------

Conformities, approvals, certificates

Product standard	IEC 61010-2-201
EMC	EN 55022 B, EN 61000-3-2
Low Voltage Directive	EN 61204-3

Connection type 2

Connection type 1	Output
Connection type 2	Signal
Family construction form	7/8"
Gender	female
Color contact carrier	black
No. of poles	5
PIN 1	0 V DC (Out 2)
PIN 2	0 V DC (Out 1)
PIN 3	PE
PIN 4	24 V DC (Out 1)
PIN 5	24 V DC (Out 2)
Family construction form	M12
Gender	male
Color contact carrier	black

Coding	A
No. of poles	4
PIN 1	L + (24 V DC) (In)
PIN 2	DI / DO (I / Q)
PIN 3	L - (0 V)
PIN 4	IO-Link (C / Q)

Commercial data

customs tariff number	85044095
GTIN	4048879634922
Packaging unit	1

X-ON Electronics

Largest Supplier of Electrical and Electronic Components

Click to view similar products for [Switching Power Supplies](#) category:

Click to view products by [Murr Elektronik](#) manufacturer:

Other Similar products are found below :

[70841011](#) [73-551-0005](#) [73-551-0048](#) [EVS57-5R3/A](#) [AAD600S-4-OP](#) [MS924](#) [HWS50A-5/RA](#) [KD0204](#) [LDIN100150](#) [FP80](#) [FRV7000G](#)
[22929](#) [PS3E-F12F](#) [CQM1IA121](#) [VI-PU22-EXX](#) [LDIN5075](#) [432703037161](#) [09-160CFG](#) [LPM000-BBAR-08](#) [LPM000-BBAR-07](#) [08-30466-](#)
[1055G](#) [DMB-EWG](#) [CQM1IPS01](#) [SP-300-5](#) [CQM1-IPS02](#) [VI-MUL-ES](#) [22829](#) [08-30466-0028G](#) [09-250CFG](#) [CA400](#) [H47251](#) [96PSR-](#)
[A460WOTH-2](#) [VP-E2935648E](#) [G08-L](#) [G06-Q01](#) [GHA300F-12-SNF](#) [MTA040009A](#) [FSA150024A](#) [VI-RUR22-EWXX](#) [VI-PU03-EYW](#)
[PM1-03B-48-2](#) [VI-LUF-EW](#) [VI-QCWB3-CSV](#) [HLS30ZE-NT8](#) [UT1404-7](#) [ERP-350-12](#) [S8FSG01512C](#) [S8FSG03012C](#) [VI-PU22-EYY](#)
[XPFM201A+](#) [S8FS-G15015C](#)