

Emparro Power Supply 3-PHASE

IN: 360 - 500VAC OUT: 24-28V/20ADC

INPUT: 3× 324...572 V AC / 450...745 V DC

OUTPUT: 24...28 V DC

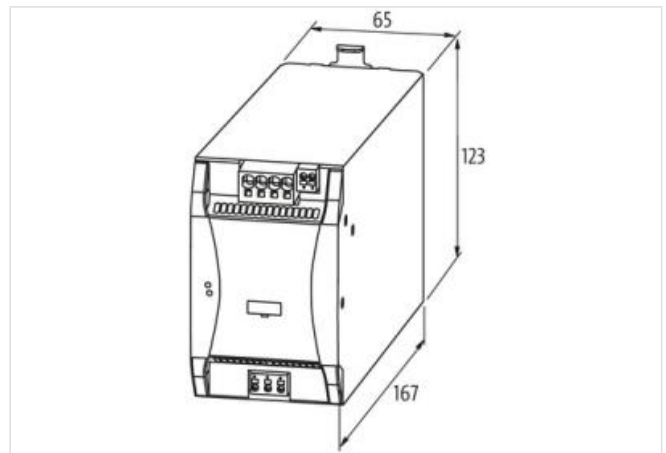
Current: 20 A

[Link to Product](#)

Illustration



Product may differ from Image



Commercial data

ECLASS-6.0	27049002
ECLASS-6.1	27049002
ECLASS-7.0	27049002
ECLASS-8.0	27049002
ECLASS-9.0	27040701
ECLASS-10.1	27040701
ECLASS-11.1	27040701
ECLASS-12.0	27040701
ETIM-5.0	EC002540
customs tariff number	85044095
GTIN	4048879538633
Packaging unit	1

Electrical data

Number of devices parallel connection max.	3
Number of devices series connection max.	3
Parallel connection	yes
Series connection	yes
Security level	SELV

Electrical data | Supply

Power frequency	50 ... 60 Hz
-----------------	--------------

Electrical data | Input

The information in this Product-PDF has been compiled with the utmost care.

Liability for the correctness completeness and topicality of the information is restricted to gross negligence. Version: 2023-10-06

Murrelektronik Inc. | 1327 Northbrook Parkway, Suite 460 | Suwanee, GA 30024 | Fon +1 770 497-9292 | Fax +1 770 497-9391 | shop@murrinc.com | shop.murrinc.com

Fuse protection primary side internal	6,3 A
Characteristic back-up fuse	Inertia
Input voltage 1 AC	360 V
Input voltage 2 AC	500 V
Input voltage AC min.	324 V
Input voltage AC max.	572 V
Input voltage DC min.	450 V
Input voltage DC max.	745 V
Current input at input voltage 1	1,3 A
Current input at input voltage 2	1 A
Inrush current max.	13 A @ 500 V
Phase number input	3
Efficiency	94,8 % @ 3× 400 V AC, 94,5 % @3× 480 V AC

Electrical data | Output

Output voltage DC	24 V
Output voltage DC min.	24 V
Output voltage DC max.	28 V
Output voltage adjustable	yes
Output current	24 A
Duration Power Boost min.	5 s
Min. mains failure bridging	40 ms @ 3× 500 V AC
Power Boost	150 %
Ripple effective max.	20 mV
Spikes (s-s) max.	90 mV

Device protection | Electrical

Short-circuit protection output	yes
Degree of protection (EN IEC 60529)	IP20
Overload protection output	yes

Mechanical data | Mounting data

Mounting method	geschnappt
Suitable for mounting type	Mounting rail TH35, (EN 60715)
Height	143 mm
Width	65 mm
Depth	167 mm

Environmental characteristics | Climatic

Operating temperature min.	-40 °C
Operating temperature max.	70 °C
Derating from	45 °C
Storage temperature min.	-40 °C
Storage temperature max.	85 °C
Relative humidity min. (operation)	5 %
Relative humidity max. (operation)	95 % no condensation

Conformities, approvals, certificates

Product standard	IEC 61010-2-201
SEMI F47	compliant
EMC	EN 55011 B, EN 61000-3-2
Low Voltage Directive	EN 61204-3

Connection type 3

Connection type 1	Alarm
Connection type 2	Input
Connection type 3	Input / Output
Connection	Spring clamp terminals FK

Family construction form	terminal
Gender	female
Color contact carrier	green
No. of poles	2
Connection	Spring clamp terminals FK
Family construction form	terminal
Gender	female
Color contact carrier	green
No. of poles	4
Connection	Spring clamp terminals FK
Family construction form	terminal
Gender	female
Color contact carrier	green
No. of poles	4

X-ON Electronics

Largest Supplier of Electrical and Electronic Components

Click to view similar products for [DIN Rail Power Supplies](#) category:

Click to view products by [Murr Elektronik](#) manufacturer:

Other Similar products are found below :

[PS-3015](#) [DVP01PU-S](#) [DVP06AD-S](#) [DVPPS02](#) [PS9Z-5R1G](#) [PS-C24024](#) [ADNB040-24-1PM-C](#) [SS14011524](#) [PSW-12024](#) [S8T-BUS03](#) [PS-S4024](#) [NTPS-24-1.3](#) [PS-10024](#) [PS-C12024](#) [PSP-480S24](#) [PS-C48024](#) [PS-C480P24](#) [PSC-2024](#) [PSC-4012](#) [PSC-4048](#) [PSC-9615](#) [PSC-15124](#) [PSC-15148](#) [PSC-24148](#) [PSC-48148](#) [PSS18/24/0.75](#) [PSS120/24/5](#) [PSD-A120W12](#) [NDR-7524](#) [NDR-12024](#) [AMED15-48SNZ-B](#) [AMED15-5SNZ-B](#) [AMED120-48SJZ](#) [AMED120-24SJZ](#) [AMED15-24SNZ-B](#) [AMED75-48SJZ](#) [1SVR427043R1200](#) [1110466](#) [50995](#) [50903](#) [50997](#)
[EL50-D](#) [18924-9989](#) [50996](#) [HDN-3024](#) [ISEDR-120-24](#) [1335699](#) [1335698](#) [LWR1601-6ER](#) [1170952](#)