

MTS 1-PHASE CONTROL AND ISOLATION TRANSFORMER

P: 63VA IN: 208...550VAC OUT: 2x115VAC

Single-phase - Control and Isolation Transformers

63 VA

Isolation class T 40/B

Other voltages on request.

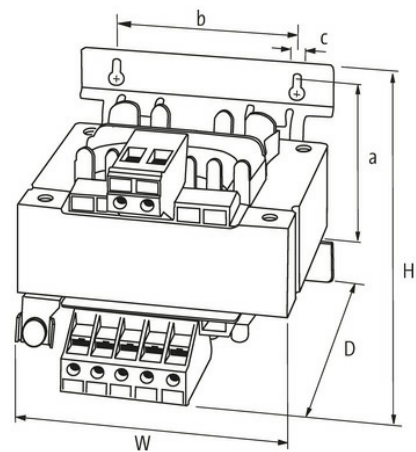
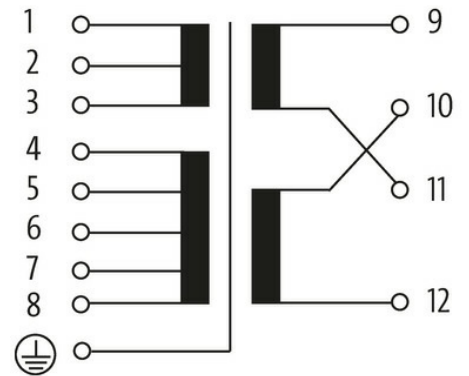
[Link to Product](#)

Illustration



INPUT

OUTPUT



Product may differ from Image

Approvals



More Info

Bus technologies

General data

The information in this brochure has been compiled with the utmost care. Liability for the correctness completeness and topicality of the information is restricted to gross negligence. Version: 05/21

| | |
|------------------------|--|
| Standards | EN 61558-1, EN 61558-2-4, EN 62041 category 0 |
| Mounting method | Long-hole mounting or DIN-rail mountable TH35 (EN 60715) |
| Temperature range | -20...+40 °C (storage temperature -20...+80 °C) |
| Test isolation voltage | 4 kV (prim./sec.) |
| Drill hole Ø | 4.8×8.4 mm |
| Fixing centers a×b×c | 56×56 mm |
| Dimensions H×W×D | 97×78×93 mm |
| Output | |
| Output voltage | 1× 230, 1× 115, 2× 115 V AC |
| Output rating | 63 VA |
| Input | |
| Input voltage | 208, 230, 380, 400, 420, 440, 460, 480, 500, 525, 550 V AC |
| Inrush current | 5.2 A (208 V AC); 2.0 A (550 V AC) |
| Short-circuit current | 3.6 A (208 V AC); 1.4 A (550 V AC) |
| Input current | 0.37 A (208 V AC); 0.14 A (550 V AC) |
| Frequency | 50...60 Hz |
| Commercial data | |
| country of origin | CZ |
| customs tariff number | 85043180 |
| EAN | 4048879444705 |
| eClass | 27031302 |
| Packaging unit | 1.000 |

X-ON Electronics

Largest Supplier of Electrical and Electronic Components

Click to view similar products for [Power Transformers](#) category:

Click to view products by [Murr Elektronik](#) manufacturer:

Other Similar products are found below :

[ET-030A](#) [F-102X](#) [F-120X](#) [F-14X-1](#) [F-181U](#) [F-18A](#) [F-199U](#) [F-19X](#) [F-202U](#) [F-204U](#) [F-206U](#) [F-227X](#) [F-238U](#) [F-239U-1](#) [F-23U](#) [F24-250-B](#)
[F-242U](#) [F-245U](#) [F-264U](#) [F-265U](#) [F-267U](#) [F-281U](#) [F-283U](#) [F-290X](#) [F-295Z](#) [F-296Z](#) [F-298Z](#) [F-3143P](#) [F-3298Z](#) [F-33U](#) [F-346X](#) [F-35U](#) [F-](#)
[364U](#) [F-392A](#) [F-395X](#) [F-397U](#) [F-412X](#) [F-47U](#) [F-55X-1](#) [F-60U](#) [F-68U](#) [F-71U](#) [F-72Z](#) [F-74U](#) [F-83A](#) [F-84AC](#) [F-85U](#) [F-86U](#) [F-9U](#) [PCT-02](#)