

Emparro IP67 POWER SUPPLY 1-PHASE

OUT: 24VDC 3,8A - 7/8" 4P NEC - PELV

Emparro@67

INPUT: 90...265 V AC/90...372 V DC

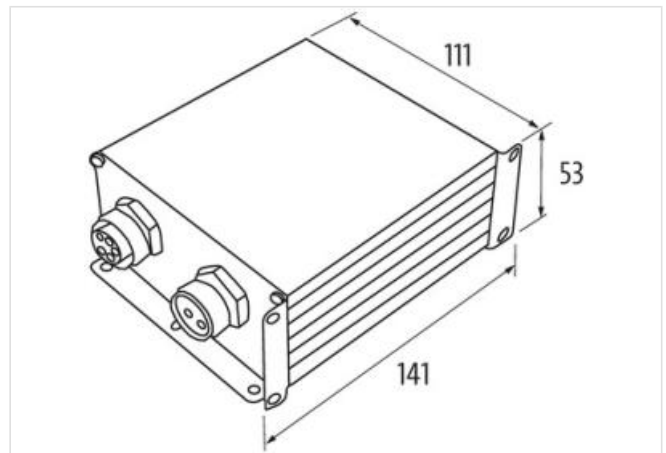
OUTPUT: 24 V DC (PELV), $\pm 2\%$

Current: 3.8 A

NEC Class 2

Link to Product

Illustration



Product may differ from Image



classifications

ECLASS-6.1	27049002
ECLASS-7.0	27049002
ECLASS-8.0	27049002
ECLASS-9.0	27040701
ECLASS-10.1	27040701
ECLASS-11.1	27040701
ECLASS-12.0	27040701

Output

Output voltage	24 V DC (SELV), $\pm 2\%$
LED display	LED (green): OK; LED (red): overload, overheating or short-circuit
Connection	7/8" (female), 4-pole
Output current	3.8 A
Mains failure bridging time	min. 80 ms (230 V AC); 3.8 A (24 V DC)
Ripple	max. 15 mV eff/rms
Spikes	max. 130 mV ss/pp
Unit protection	Short-circuit, overload and temperature

Input

Input voltage	90...265 V AC/90...372 V DC
Connection	7/8" (male), 3-pole

Input current	1.1 A (100 V AC); 0.5 A (240 V AC)
Inrush current after 1 ms	max. 8.9 A (230 V AC)
Power factor	0.95 (230 V AC)
Frequency	50...60 Hz
Input fuse (internal)	6.3 A (T)

General data

Standards	IEC 61010-2-201, EN 61204-3, EN 55011 B, EN 61000-3-2
Mounting method	6 hole screw mounting
Temperature range	-40...+85 °C, ...+60 °C derating (storage temperature -40...+85 °C)
Relative humidity	4...100%
Protection	IP67
Efficiency	91.4% (115 V AC); 92.1% (230 V AC)
Dimensions H×W×D	53×111×141 mm

Commercial data

customs tariff number	85044095
GTIN	4048879799102
Packaging unit	1

X-ON Electronics

Largest Supplier of Electrical and Electronic Components

Click to view similar products for [Switching Power Supplies](#) category:

Click to view products by [Murr Elektronik](#) manufacturer:

Other Similar products are found below :

[70841011](#) [73-551-0005](#) [73-551-0048](#) [EVS57-5R3/A](#) [AAD600S-4-OP](#) [MS924](#) [HWS50A-5/RA](#) [KD0204](#) [LDIN100150](#) [FP80](#) [FRV7000G](#)
[22929](#) [PS3E-F12F](#) [CQM1IA121](#) [VI-PU22-EXX](#) [LDIN5075](#) [432703037161](#) [09-160CFG](#) [LPM000-BBAR-08](#) [LPM000-BBAR-07](#) [08-30466-](#)
[1055G](#) [DMB-EWG](#) [CQM1IPS01](#) [SP-300-5](#) [CQM1-IPS02](#) [VI-MUL-ES](#) [22829](#) [08-30466-0028G](#) [09-250CFG](#) [CA400](#) [H47251](#) [96PSR-](#)
[A460WOTH-2](#) [VP-E2935648E](#) [G08-L](#) [G06-Q01](#) [GHA300F-12-SNF](#) [MTA040009A](#) [FSA150024A](#) [VI-RUR22-EWXX](#) [VI-PU03-EYW](#)
[PM1-03B-48-2](#) [VI-LUF-EW](#) [VI-QCWB3-CSV](#) [HLS30ZE-NT8](#) [UT1404-7](#) [ERP-350-12](#) [S8FSG01512C](#) [S8FSG03012C](#) [VI-PU22-EYY](#)
[XPFM201A+](#) [S8FS-G15015C](#)