

Mico Pro PS 5-100-240/24

IN: 90 - 265VAC OUT: 24-28V/5ADC

INPUT: 90...265 V AC

OUTPUT: 24...28 V DC

Current: 5 A

Build your own Mico Pro® online:

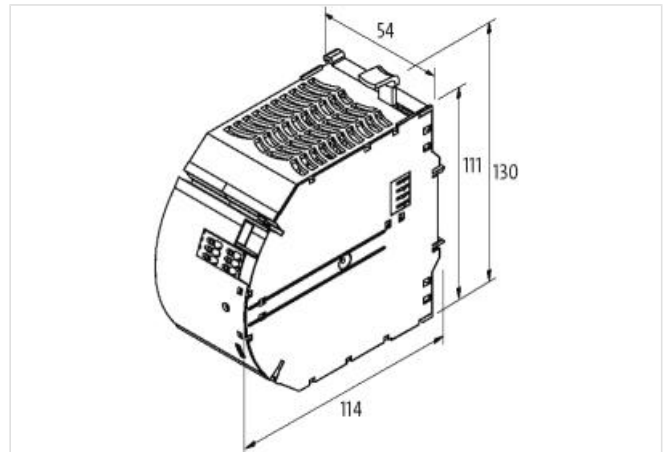
[START](#)

Min. mains failure bridging

min. 20 ms (115 V AC); min. 65 ms (230 V AC)

[Link to Product](#)**Illustration**

Product may differ from Image

**Commercial data**

ECLASS-6.0	27141901
ECLASS-6.1	27049002
ECLASS-7.0	27049002
ECLASS-8.0	27049002
ECLASS-9.0	27040701
ECLASS-10.1	27040701
ECLASS-11.1	27040701
ECLASS-12.0	27040701
ETIM-5.0	EC001440
customs tariff number	85044083
GTIN	4048879695664
Packaging unit	1

Electrical data

Parallel connection	no
Series connection	no
Security level	SELV

Electrical data | Supply

The information in this Product-PDF has been compiled with the utmost care.

Liability for the correctness completeness and topicality of the information is restricted to gross negligence. Version: 2023-12-19

Murrelektronik Inc. | 1327 Northbrook Parkway, Suite 460 | Suwanee, GA 30024 | Fon +1 770 497-9292 | Fax +1 770 497-9391 | shop@murrinc.com | shop.murrinc.com

Power frequency 50 ... 60 Hz

Electrical data | Input

Fuse protection primary side internal	3,15 A
CTRL input voltage control inputs high min.	9 V
CTRL input voltage control inputs high max.	30 V
CTRL signal	ON/OFF
Characteristic back-up fuse	Inertia
Input voltage 1 AC	115 V
Input voltage 2 AC	230 V
Input voltage AC min.	90 V
Input voltage AC max.	265 V
Input current at input voltage 1 AC	1,1 A
Input current at input voltage 2 AC	2,3 A
Inrush current max.	30 A
ON input voltage control inputs min.	9 V
ON input voltage control inputs max.	30 V
ON pulse length control inputs high min.	120 ms
Efficiency	89,4 % @ 115 V AC, 90,8 % @ 230 V AC

Electrical data | Output

Output voltage DC	24 V
Output voltage DC min.	24 V
Output voltage DC max.	28 V
Output voltage adjustable	yes
Output current	5 A
Ripple effective max.	15 mV
Switching voltage AC max.	30 V
Switching voltage DC max.	30 V
Spikes (s-s) max.	230 mV

Installation | Connection

Connection Push-In spring clamp terminals

Device protection | Electrical

Degree of protection (EN IEC 60529)	IP20
Short-circuit protection output	yes
Overload protection output	yes
Overtemperature protection output	yes

Mechanical data | Mounting data

Mounting method	geschnappt
Suitable for mounting type	Mounting rail TH35, (EN 60715)
Height	130 mm
Width	54 mm
Depth	114 mm

Environmental characteristics | Climatic

Operating temperature min.	-25 °C
Operating temperature max.	55 °C
Storage temperature min.	-40 °C
Storage temperature max.	85 °C
Relative humidity min. (operation)	5 %
Relative humidity max. (operation)	95 % no condensation

Conformities, approvals, certificates

Product standard	IEC 61010-2-201
EMC	EN 61000-3-2

Low Voltage Directive

EN 61204-3

X-ON Electronics

Largest Supplier of Electrical and Electronic Components

Click to view similar products for [DIN Rail Power Supplies](#) category:

Click to view products by [Murr Elektronik](#) manufacturer:

Other Similar products are found below :

[PS-3015](#) [DVP01PU-S](#) [DVP06AD-S](#) [DVPPS02](#) [PS9Z-5R1G](#) [PS-C24024](#) [ADNB040-24-1PM-C](#) [SS14011524](#) [PSW-12024](#) [S8T-BUS03](#) [PS-S4024](#) [NTPS-24-1.3](#) [PS-10024](#) [PS-C12024](#) [PSP-480S24](#) [PS-C48024](#) [PS-C480P24](#) [PSC-2024](#) [PSC-4012](#) [PSC-4048](#) [PSC-9615](#) [PSC-15124](#) [PSC-15148](#) [PSC-24148](#) [PSC-48148](#) [PSS18/24/0.75](#) [PSS120/24/5](#) [PSD-A120W12](#) [NDR-7524](#) [NDR-12024](#) [AMED15-48SNZ-B](#) [AMED15-5SNZ-B](#) [AMED120-48SJZ](#) [AMED120-24SJZ](#) [AMED15-24SNZ-B](#) [AMED75-48SJZ](#) [1SVR427043R1200](#) [1110466](#) [50995](#) [50903](#) [50997](#)
[EL50-D](#) [18924-9989](#) [50996](#) [HDN-3024](#) [ISEDR-120-24](#) [1335699](#) [1335698](#) [LWR1601-6ER](#) [1170952](#)