

**Mico Pro PS 10-100-240/24**

IN: 90- 265VAC OUT: 24-28V/10ADC

INPUT: 90...265 V AC

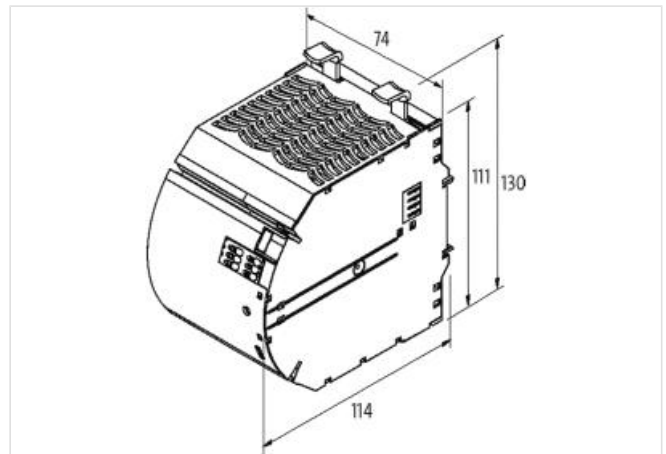
OUTPUT: 24...28 V DC

Current: 10 A

Build your own Mico Pro® online:

[START](#)**Link to Product****Illustration**

Product may differ from Image

**Classifications**

ECLASS-6.0	27141901
ECLASS-6.1	27049002
ECLASS-7.0	27049002
ECLASS-8.0	27049002
ECLASS-9.0	27040701
ECLASS-10.1	27040701
ECLASS-11.1	27040701
ECLASS-12.0	27040701
ETIM-5.0	EC001440

**Output**

Output voltage	24 V DC (SELV), ±1%; 24...28 V adjustable
Output current	10 A
Mains failure bridging time	min. 44 ms (115 V AC); min. 44 ms (230 V AC)
Ripple	max. 20 mV eff/rms
Spikes	max. 380 mV ss/pp
Unit protection	Short-circuit, overload and temperature
Parallel usage/serial usage	max. 2 units/no

**Control outputs**

Early warning (90%)	max. 30 V AC/DC
Group alarm output	max. 30 V AC/DC

**Input**

Input voltage	90...265 V AC
Input current	3.7 A (115 V AC); 1.7 A (230 V AC)
Inrush current after 1 ms	max. 25 A
Power factor	0.69 (115 V AC); 0.62 (230 V AC)
Frequency	50...60 Hz
Input fuse (internal)	6.3 A (T)

**General data**

Standards	IEC 61010-2-201, EN 61204-3, EN 61000-3-2
Mounting method	DIN-rail mountable TH35 (EN 60715)
Temperature range	-25...+55 °C (storage temperature -40...+85 °C)
Relative humidity	5...95%, no condensation
Protection	IP20
Efficiency	91.8% (115 V AC); 93.6% (230 V AC)
Connection	Push-In spring clamp terminals
Dimensions H×W×D	130×74×114 mm

**Control inputs**

Input voltage (ON)	9...30 V DC
Impulse length (CTRL)	OFF "high" 40/400 ms, ON "high" 20/200 ms
Input voltage (CTRL)	9...30 V DC
Impulse length (ON)	"high" 120 ms

**Commercial data**

customs tariff number	85044083
GTIN	4048879695817
Packaging unit	1

## X-ON Electronics

Largest Supplier of Electrical and Electronic Components

*Click to view similar products for [DIN Rail Power Supplies](#) category:*

*Click to view products by [Murr Elektronik](#) manufacturer:*

Other Similar products are found below :

[PS-3015](#) [DVP01PU-S](#) [DVP06AD-S](#) [DVPPS02](#) [PS9Z-5R1G](#) [PS-C24024](#) [ADNB040-24-1PM-C](#) [SS14011524](#) [PSW-12024](#) [S8T-BUS03](#) [PS-S4024](#) [NTPS-24-1.3](#) [PS-10024](#) [PS-C12024](#) [PSP-480S24](#) [PS-C48024](#) [PS-C480P24](#) [PSC-2024](#) [PSC-4012](#) [PSC-4048](#) [PSC-9615](#) [PSC-15124](#) [PSC-15148](#) [PSC-24148](#) [PSC-48148](#) [PSS18/24/0.75](#) [PSS120/24/5](#) [PSD-A120W12](#) [NDR-7524](#) [NDR-12024](#) [AMED15-48SNZ-B](#) [AMED15-5SNZ-B](#) [AMED120-48SJZ](#) [AMED120-24SJZ](#) [AMED15-24SNZ-B](#) [AMED75-48SJZ](#) [1SVR427043R1200](#) [1110466](#) [50995](#) [50903](#) [50997](#)  
[EL50-D](#) [18924-9989](#) [50996](#) [HDN-3024](#) [ISEDR-120-24](#) [1335699](#) [1335698](#) [LWR1601-6ER](#) [1170952](#)