

MYD-C7Z010/20 Development Board

- *MYC-C7Z010/20 CPU Module as Controller Board*
- *Two 0.8mm pitch 140-pin Connectors for Board-to-Board Connections*
- *667MHz Xilinx XC7Z010/20 Dual-core ARM Cortex-A9 Processor with Xilinx 7-series FPGA logic*
- *1GB DDR3 SDRAM (2 x 512MB, 32-bit), 4GB eMMC, 32MB QSPI Flash*
- *Serial port, 4 x USB2.0 Host, Gigabit Ethernet, CAN, RTC, HDMI, LCD, TF*
- *1 x XADC, 3 x PMoD, 1 x FMC*
- *Optional 4.3- or 7-inch LCD/TSP*
- *Ready-to-Run Linux 4.14.0*

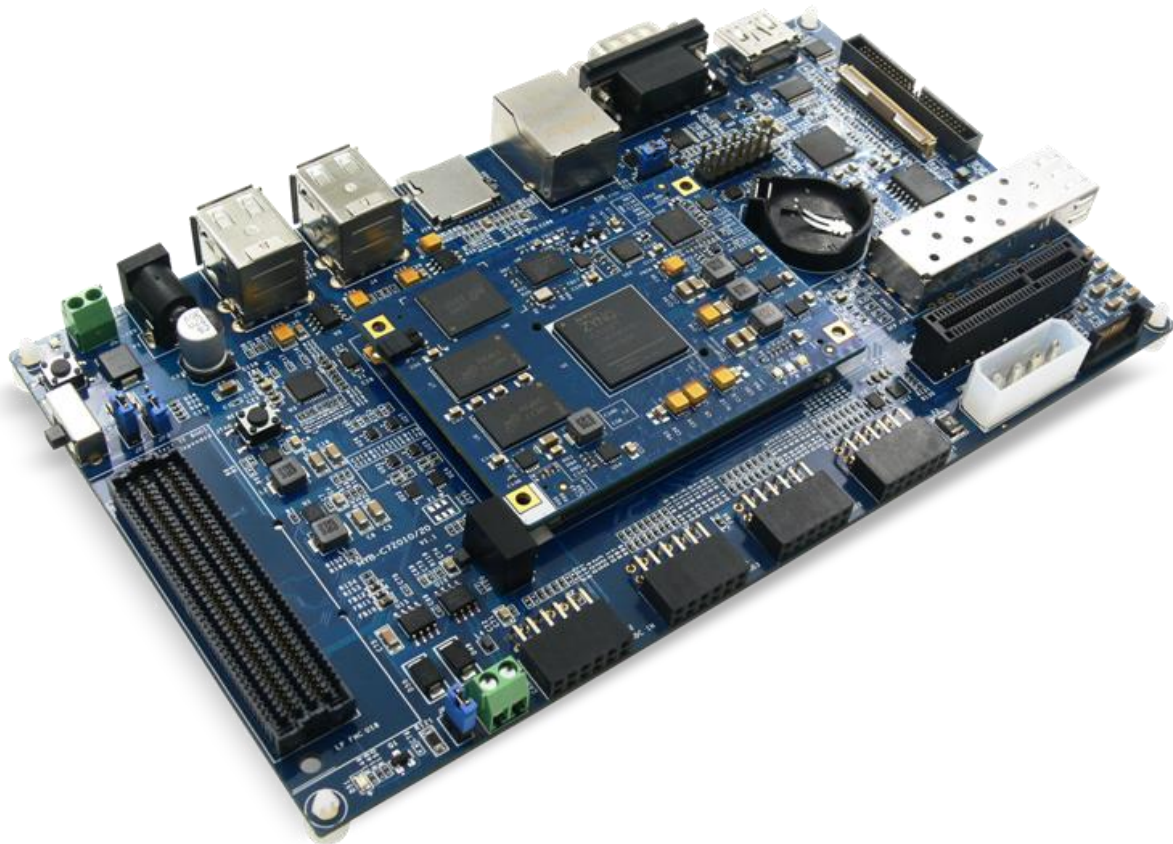


Figure 1-1 MYD-C7Z010/20 Development Board

The MYD-C7Z010/20 development board is built around the MYC-C7Z010/20 CPU Module which is a compact Linux-ready ZYNQ-based SOM (System on Module). The MYC-C7Z010/20 combines the Xilinx XC7Z010-1CLG400C or XC7Z020-1CLG400C SoC device, 1GB DDR3 SDRAM, 4GB eMMC, 32MB quad SPI Flash, a Gigabit Ethernet PHY, a USB PHY and external watchdog. It is connected to the MYD-C7Z010/20 base board through two 0.8mm pitch 140-pin board-to-board connectors.

The MYD-C7Z010/20 development board takes full features of the Zynq-7010 and Zynq-7020 SoCs' powerful dual-core ARM Cortex-A9 processing system and Xilinx 7-series Field Programmable Gate Array (FPGA) logic unit to create a rich set of peripherals to the base board through headers and connectors including one RS232 serial port, four USB Host ports, one Gigabit Ethernet port, CAN, HDMI, LCD/Touch

screen, TF card slot, RTC, one XADC header to allow you take advantage of Xilinx XADC; it has three PMoD headers to meet your I/O needs with PMoDs (only for 7020); it also has a low-pin count FMC connector to allow various FMC cards for custom I/O options. User can integrate a MYC-C7Z010 or a MYC-C7Z020 SOM on the same base board, thus making two variants of Zynq evaluation boards.

- *MYD-C7Z010 Development Board* – with *MYC-C7Z010 CPU Module* for Xilinx *XC7Z010-1CLG400C*
- *MYD-C7Z020 Development Board* – with *MYC-C7Z020 CPU Module* for Xilinx *XC7Z020-1CLG400C*

The MYD-C7Z010/20 development board is delivered with necessary cable accessories and MYIR offers optional 4.3-inch and 7-inch LCD. The board is preloaded with Linux. It is a high-performance and low-cost development platform for evaluation and prototype based on Xilinx Zynq-7000 All Programmable SoC family.

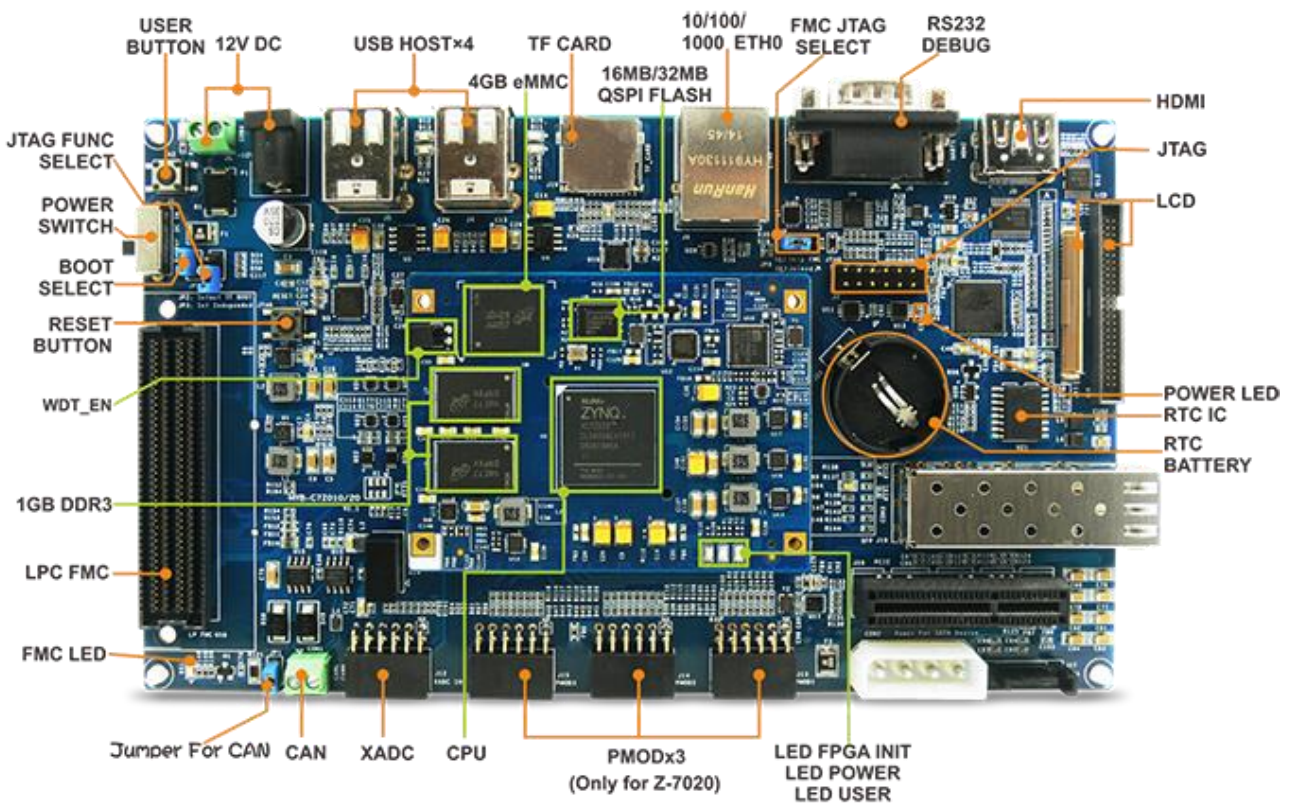


Figure 1-2 MYD-XC7Z010/20 Development Board

Hardware Specification

The Zynq™-7000 family of devices combines the software programmability of a Processor with the hardware programmability of an FPGA, resulting in unrivaled levels of system performance, flexibility, scalability while providing system benefits in terms of power reduction, lower cost with fast time to market. Unlike traditional SoC processing solutions, the flexible programmable logic of the Zynq-7000 devices enables optimization and differentiation, allowing designers to add peripherals and accelerators to adapt to a broad base of applications.

The Zynq-7000 AP SoC leverages the 28nm scalable optimized programmable logic used in Xilinx’s 7 series FPGAs. Each device is designed to meet unique requirements across many use cases and applications. The Z-7010, Z-7015, and Z-7020 leverage the [Artix®-7 FPGA](#) programmable logic and offer lower power and lower cost for high-volume applications. The Z-7030, Z-7035, Z-7045, and Z-7100 are based on the [Kintex®-7 FPGA](#) programmable logic for higher-end applications that require higher performance and high I/O throughput.

	Z-7010	Z-7015	Z-7020	Z-7030	Z-7035	Z-7045	Z-7100
Processor Core	Dual ARM® Cortex™-A9 MPCore™ with CoreSight™						
Processor Extensions	NEON™ & Single / Double Precision Floating Point for each processor						
L1 Cache	32 KB Instruction, 32 KB Data per processor						
L2 Cache	512 KB						
On-Chip Memory	256 KB						
Memory Interfaces	DDR3, DDR3L, DDR2, LPDDR2, 2x Quad-SPI, NAND, NOR						
Peripherals	2x USB 2.0 (OTG), 2x Tri-mode Gigabit Ethernet, 2x SD/SDIO						
Logic Cells	28K Logic Cells	74K Logic Cells	85K Logic Cells	125K Logic Cells	275K Logic Cells	350K Logic Cells	444K Logic Cells
BlockRAM (Mb)	240 KB	380 KB	560 KB	1,060 KB	2,000 KB	2,180 KB	3,020 KB
DSP Slices	80	160	220	400	900	900	2,020
Transceiver Count		4 (6.25 Gb/s)		up to 4 (12.5 Gb/s)	up to 16 (12.5 Gb/s)	up to 16 (12.5 Gb/s)	up to 16 (10.3125 Gb/s)

Table 1-1 ZYNQ-7000 Devices

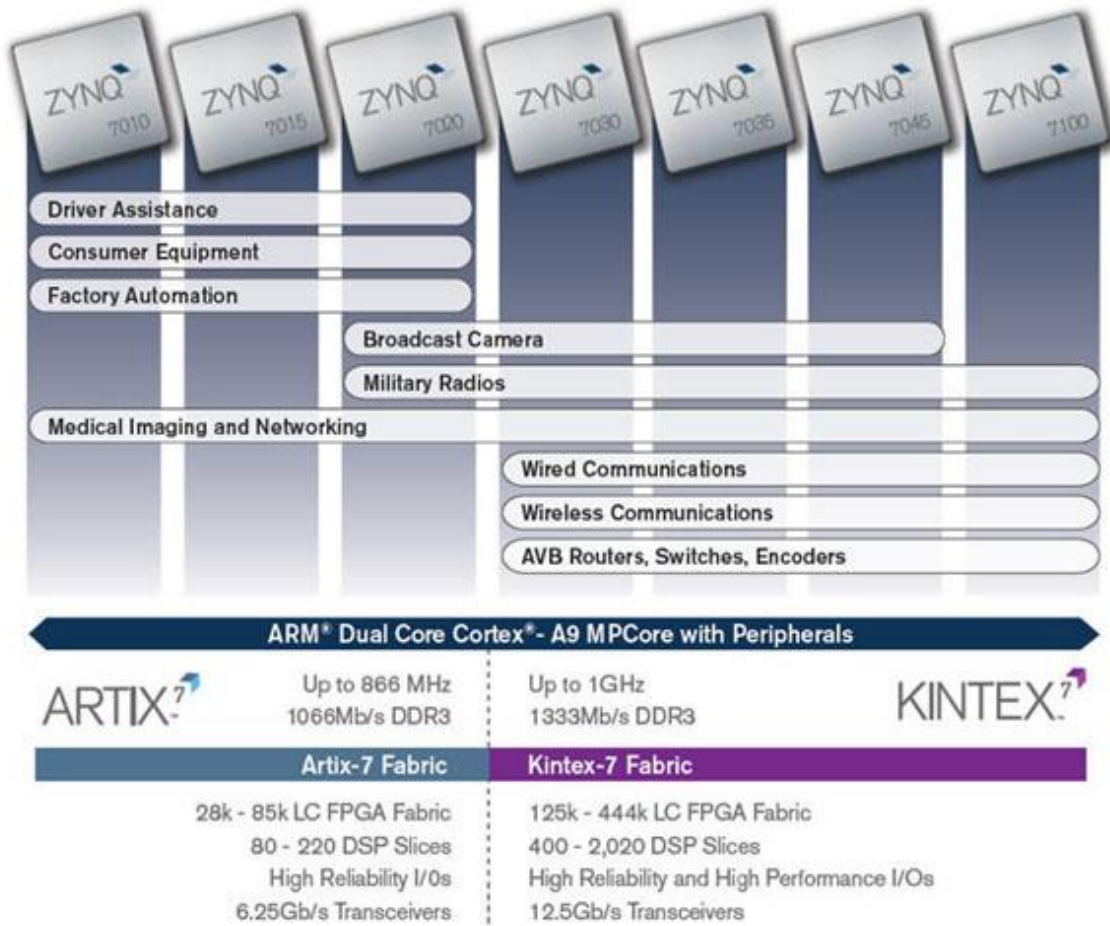


Figure 1-3 Zynq-7000 Devices

Mechanical Parameters

- ✓ Dimensions: 190mm x 110mm (base board), 75mm x 55mm (CPU Module)
- ✓ PCB layers: 4-layer design (base board), 10-layer design (CPU Module)
- ✓ Power supply: 12V/0.5A (base board), 5V/0.5A (CPU Module)
- ✓ Working temp.: 0~70 Celsius (commercial grade) or -40~85 Celsius (industrial grade)

The MYD-C7Z010/20 Controller Board (MYC-C7Z010/20 CPU Module)

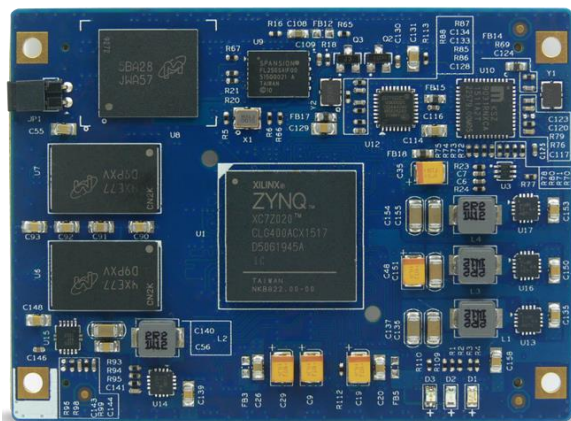


Figure 1-4 MYC-C7Z010/20 CPU Module Top-view

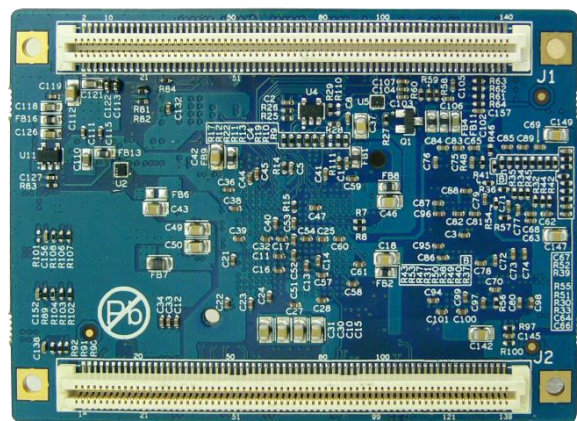


Figure 1-5 MYC-C7Z010/20 CPU Module Bottom-view

SoC

- ✓ Xilinx XC7Z010-1CLG400C (Zynq-7010) or XC7Z020-2CLG400C (Zynq-7020)
 - 667MHz ARM® dual-core Cortex™-A9 MPCore processor (up to 866MHz)
 - Integrated Artix-7 class FPGA subsystem with 28K logic cells, 17,600 LUTs, 80 DSP slices (for XC7Z010) with 85K logic cells, 53,200 LUTs, 220 DSP slices (for XC7Z020)
 - NEON™ & Single / Double Precision Floating Point for each processor
 - Supports a Variety of Static and Dynamic Memory Interfaces

Memory

- ✓ 1GB DDR3 SDRAM (512MB*2)
- ✓ 4GB eMMC
- ✓ 32MB QSPI Flash (16MB is optional)

Peripherals and Signals Routed to Pins

- ✓ 10/100/1000M Ethernet PHY
- ✓ External watchdog
- ✓ Three LEDs
 - One blue LED for power indicator
 - One red LED for FPGA program done indicator
 - One green user LED
- ✓ Two 0.8mm pitch 140-pin board-to-board expansion connectors bring out below signals:
 - One Gigabit Ethernet
 - One USB OTG 2.0
 - Two Serial ports
 - Two I2C
 - Two CAN BUS
 - ** Serial ports, I2C and CAN signals will be reused in PS part, or implemented through PL pins*
 - Two SPI (can be implemented through PL pins)
 - ADC (one independent differential ADC, 16-channel ADC brought out through PL pins)
 - One SDIO

The MYD-C7Z010/20 Base Board (MYB-C7Z010/20)



Figure 1-6 MYD-C7Z010/20 Base Board for MYC-C7Z010/20 CPU Module

PS Unit

- ✓ Four USB 2.0 Host ports (through USB Hub)
- ✓ One RS232 (DB9 port)
- ✓ One TF card slot (bootable)
- ✓ One CAN interface
- ✓ One 10/100/1000M Ethernet
- ✓ One 2.54mm pitch 14-pin JTAG interface (PS, PL reused)
- ✓ Battery backed RTC
- ✓ One User Button (One I2C, can be connected to LCD and Resistive Touch Screen)
- ✓ Jumpers
 - One for booting selection from TF card or QSPI
 - One for JTAG selection for using PS and PL reused or independent JTAG configured through PL pins
 - One for selection if adding FMC module to JTAG

PL Unit

- ✓ One XADC interface
- ✓ One Xilinx standard LPFMC interface
- ✓ One HDMI interface (16-bit YCrCb, support 1080p display, do not support audio)
- ✓ LCD/Touch screen interface (16-bit RGB, signals reused with HDMI, supports resistive and capacitive touch screen)
- ✓ Two LEDs (one for FMC module detection, one for power indicator)
- ✓ Three-channel PMoD (only for XC7Z020)

Function Block Diagram

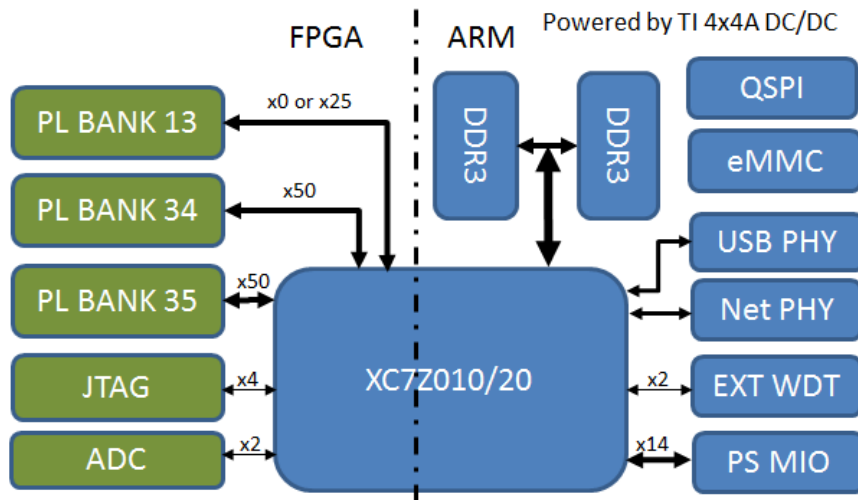


Figure 1-7 MYC-C7Z010/20 CPU Module Function Block Diagram

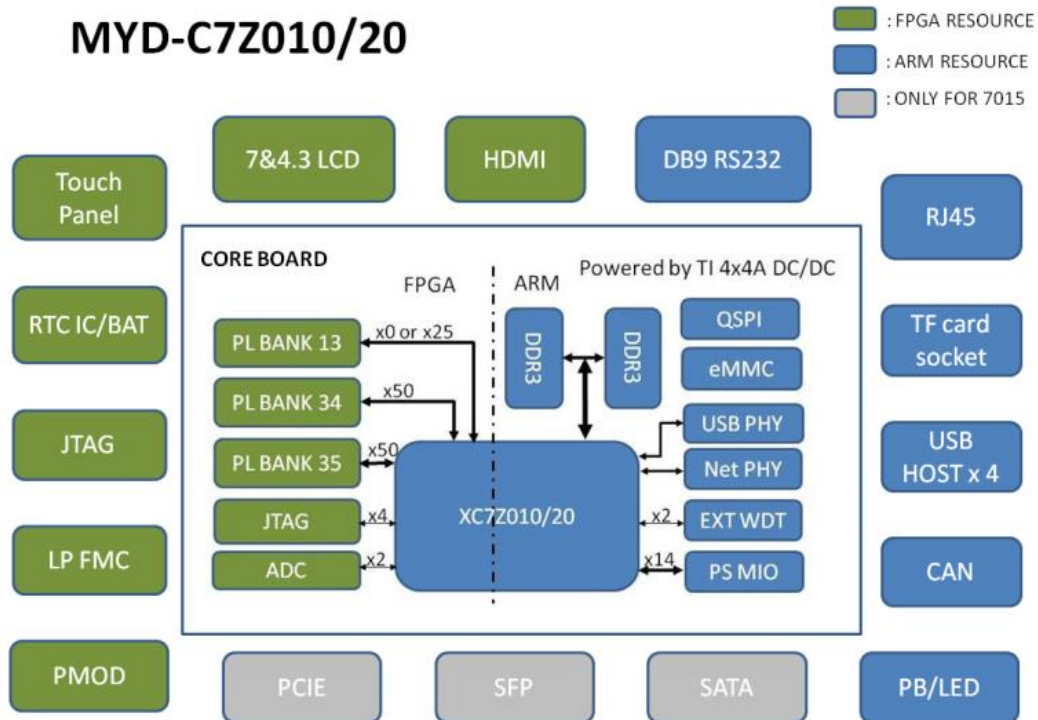


Figure 1-8 MYD-C7Z010/20 Development Board Function Block Diagram

Dimension Chart

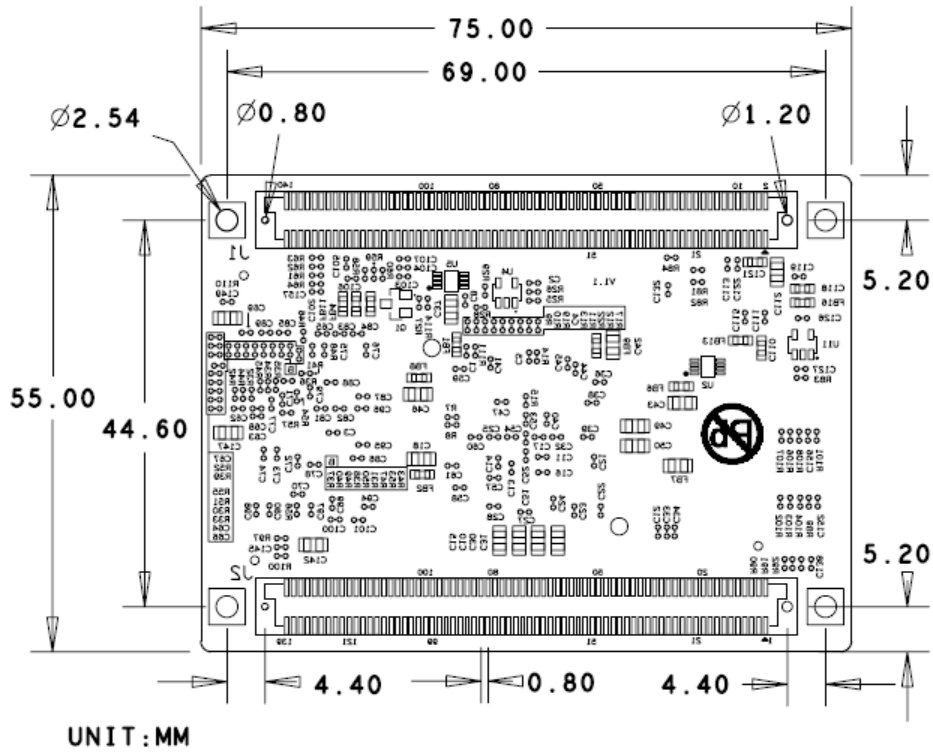


Figure 1-9 Dimensions of MYC-C7Z010/20 CPU Module

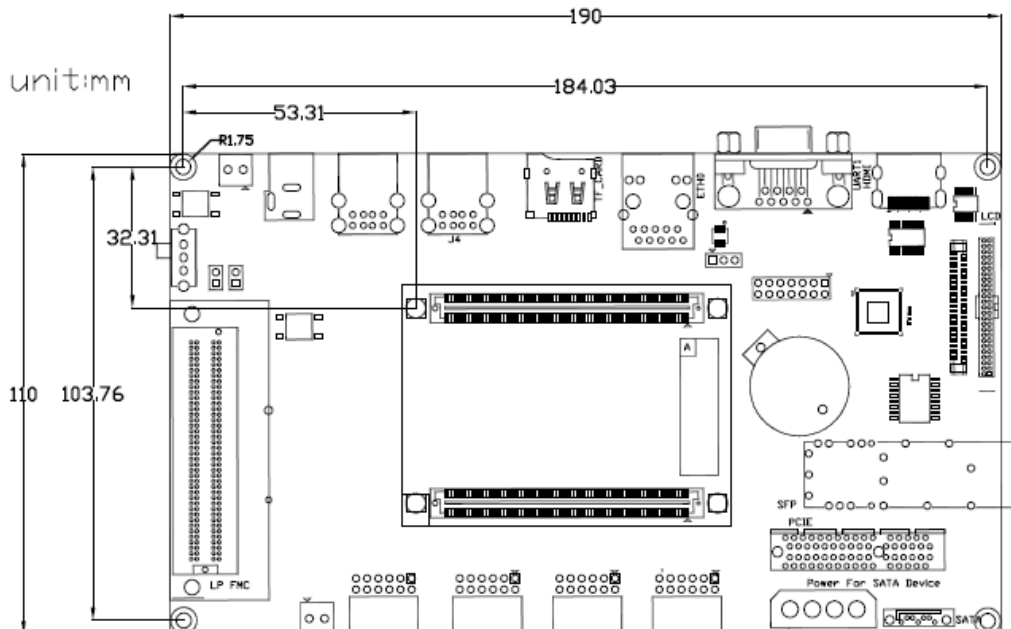


Figure 1-10 Dimensions of MYD-C7Z010/20 Development Board

Software Features

The MYC-C7Z010/20 CPU Module is capable of running Linux 4.14.0. MYIR provides software package in product disk along with the goods delivery. The software package features as below:

Item	Features	Description	Remark
Cross compiler	gcc 4.6.1	gcc version 4.6.1 (Sourcery CodeBench Lite 2011.09-50)	
Boot program	BOOT.BIN	First boot program including FSBL, bitstream	Source code provided
	u-boot	Secondary boot program	Source code provided
Linux Kernel	Linux 4.14.0	Customized kernel for MYD-C7Z010/20	Source code provided
Drivers	USB Host	USB Host driver	Source code provided
	Ethernet	Gigabit Ethernet driver	Source code provided
	MMC/SD/TF	MMC/SD/TF card driver	Source code provided
	CAN	CAN driver	Source code provided
	LCD Controller	XYLON LCD driver	Source code provided
	HDMI	HDMI (SH902X chip) driver	Source code provided
	Button	Button driver	Source code provided
	UART	UART driver	Source code provided
	LED	LED driver	Source code provided
	GPIO	GPIO driver	Source code provided
	QSPI	QSPI Flash S25FL256S driver	Source code provided
	RTC	DS3231 RTC driver	Source code provided
	Resistive Touch	TSC2007 resistive touch screen driver	Source code provided
	Capacitive Touch	FT5X0X capacitive touch screen driver	Source code provided
ADC	ADC driver	Source code provided	
File System	Ramdisk	Ramdisk system image	
	Rootfs.tar	Tar file	

Table 1-2 Linux Software Package Features

Order Information

Item	Part No.	Packing List
MYD-C7Z010 Development Board	MYD-C7Z010-4E1D-667-C	- One MYD-C7Z010 or MYD-C7Z020 board
	MYD-C7Z010-4E1D-667-I	- One 1.5m cross Ethernet cable - One DB9 UART to USB cable - One HDMI cable
MYD-C7Z020 Development Board	MYD-C7Z020-4E1D-667-C	- One 12V/1.25A Power adapter
	MYD-C7Z020-4E1D-667-I	- One 16GB TF Card - One product disk (including user manual, base board schematic in PDF format, datasheets and software package)
MY-LCD43TP LCD Module	MY-TFT043RV2	4.3-inch LCD Module with resistive touch screen
MY-LCD70TP LCD Module	MY-TFT070RV2	7-inch LCD Module with resistive touch screen
MY-LCD70TP-C LCD Module	MY-TFT070CV2	7-inch LCD Module with capacitive touch screen


MYIR Tech Limited

Room 04, 6th Floor, Building No.2, Fada Road, Yunli Smart Park,
Bantian, Longgang District, Shenzhen, Guangdong, China 518129

E-mail: sales@myirtech.com

Phone: +86-755-22984836

Fax: +86-755-25532724

Website: <http://www.myirtech.com>

X-ON Electronics

Largest Supplier of Electrical and Electronic Components

Click to view similar products for [Development Boards & Kits - ARM category](#):

Click to view products by [MYIR manufacturer](#):

Other Similar products are found below :

[SAFETI-HSK-RM48](#) [PICOHOBBITFL](#) [CC-ACC-MMK-2443](#) [TWR-MC-FRDMKE02Z](#) [EVALSPEAR320CPU](#) [EVB-SCMIMX6SX](#)
[MAX32600-KIT#](#) [TMDX570LS04HDK](#) [TXSD-SV70](#) [OM13080UL](#) [EVAL-ADUC7120QSPZ](#) [OM13082UL](#) [TXSD-SV71](#)
[YGRPEACHNORMAL](#) [OM13076UL](#) [PICODWARFFL](#) [YR8A77450HA02BG](#) [3580](#) [32F3348DISCOVERY](#) [ATTINY1607](#) [CURIOSITY](#)
[NANO](#) [PIC16F15376](#) [CURIOSITY NANO BOARD](#) [PIC18F47Q10](#) [CURIOSITY NANO](#) [VISIONSTK-6ULL V.2.0](#) [80-001428](#) [DEV-17717](#)
[EAK00360](#) [YR0K77210B000BE](#) [RTK7EKA2L1S00001BE](#) [MAX32651-EVKIT#](#) [SLN-VIZN-IOT](#) [USB-202](#) [MULTIFUNCTION DAQ](#)
[DEVICE](#) [USB-205](#) [MULTIFUNCTION DAQ DEVICE](#) [ALLTHINGSTALK](#) [LTE-M RAPID DEV. KIT](#) [LV18F V6](#) [DEVELOPMENT](#)
[SYSTEM](#) [READY FOR AVR BOARD](#) [READY FOR PIC BOARD](#) [READY FOR PIC \(DIP28\)](#) [EVB-VF522R3](#) [AVRPLC16](#) [V6 PLC](#)
[SYSTEM](#) [MIKROLAB FOR AVR XL](#) [MIKROLAB FOR PIC L](#) [MINI-AT BOARD - 5V](#) [MINI-M4 FOR STELLARIS](#) [MOD-09.Z](#) [BUGGY](#)
[+ CLICKER 2 FOR PIC32MX + BLUETOOT](#) [1410](#) [LETS MAKE PROJECT PROGRAM. RELAY PIC](#) [LETS MAKE - VOICE](#)
[CONTROLLED LIGHTS](#) [LPC-H2294](#) [DSPIC-READY2 BOARD](#)