



REV.	ECN NO.	REVISED	DATE

NOTE:

1.MATERIAL:

a.HOUSING:ABS BLACK

b.CONTACT:STEEL

(SURFACE PLATING: Ni-PLATING)

SEE ORDERING INFORMATION

2.ELECTRIC:

a.DIELECTRIC VOLTAGE: 500V AC ONE MINUTE

b.OPERATING TEMPERATURE: -10° C~ +100° C

ORDERING INFORMATION

BH-18650-A5BJ001-2D

电池盒

电池型号

DIP 90° TYPE

PLATING:

A-Au1U"

J-Ni-PLATING

K-Sn-PLATING

MATERIAL:

1A-PBT BLACK

1B-PA66 BLACK

2A-PPA BROWN

2B-PPA BLACK

3A-PPS BROWN

3B-PPS BLACK

4A-LCP WHITE

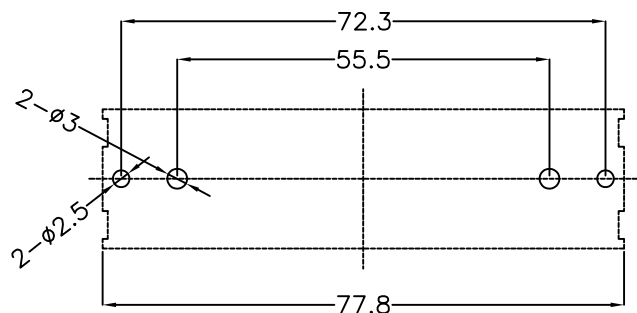
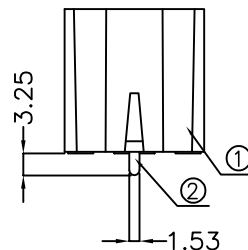
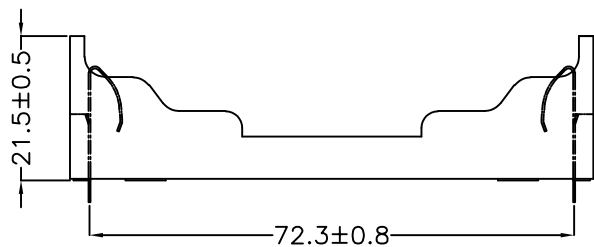
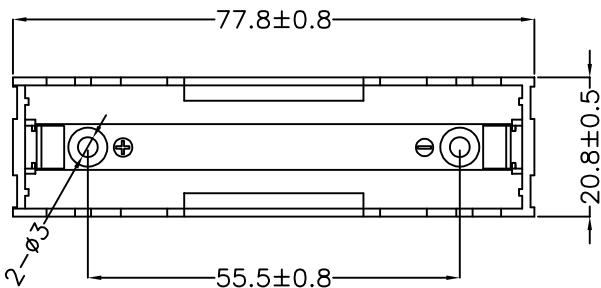
4B-LCP BLACK

5B-ABS BLACK

工程部

2023-09-08

H. WANG



PCB Layout Diagram
Bottom View

UNLESS OTHERWISE SPECIFIED TOLERANCES		MYOUNG 美阳 www.meiyangdz.com			
DECIMALS: X :±0.30 X.X :±0.25 X.XX :±0.20 X.XXX :±0.10	ANGLES: X :±1° X.X :±0.5°	DSND	YangFeng	DATE	2023-09-08
WEIGHT:		CHKD	ZhouRuicai	DATE	2023-09-08
SHEET 1 OF 1		APVD	XueShunyong	DATE	2023-09-08
NO. PART NAME Q'TY MATERIAL PLATING & COLOR		SCALE:	SIZE: A4	VIEW:	⊕ ⊖
		UNIT: mm	REV.: A/0	OBJECT: MY	
		TITLE:		PART NO.:	
		BH-18650-1J Ni DIP 二代		BH-18650-A5BJ001-2D	
		DRAW NO.:WD-CP-0336			

2	TERMINAL	1	STEEL, T=0.3MM	Ni-Plating
1	HOUSING	1	ABS	BLACK
NO.	PART NAME	Q'TY	MATERIAL	PLATING & COLOR

X-ON Electronics

Largest Supplier of Electrical and Electronic Components

Click to view similar products for [Coin Cell Battery Holders](#) category:

Click to view products by [MYOUNG](#) manufacturer:

Other Similar products are found below :

[PDSN-11-D](#) [799-2007](#) [BH44AAB](#) [BH48DL](#) [BH8000](#) [MY-2430-01-R](#) [BS-16-B4AA006-R](#) [KH-CR1220-2](#) [BH-18650-A1AJ006](#) [BS-02-A1BK007](#) [BH-18650-A1AJ005](#) [BS-12-B3AA009-R](#) [BS-02-A1AK010-X](#) [BS-02-A1AJ010](#) [BS-03-A1AJ001](#) [MY-FJ-131-J-R](#) [MY-FJ-04-J-R](#) [BS-08-B2AA025](#) [BS-24-A1AJ017](#) [BH-18650-A5BJ001-2D](#) [BS-12-A1AJ002-Z](#) [BS-08-B2AA032](#) [MY-2032-04-R](#) [BS-12-B3AA011-R](#) [BS-621-B4AA001-R](#) [MY-ZJ-110](#) [MY-FJ-127-R](#) [BS-06-B4AA002-R](#) [MY-1220-04](#) [BH-AAA-A1AJ001](#) [BS-12-B3AA003-T](#) [MY-FJ-115II-R](#) [BS-06-B4AK001-R](#) [BH-18650-B1BA007](#) [MY-FJ-115II](#) [BH-AAA-B5AA001](#) [BE-13-017](#) [MY-2477-01](#) [BS-12-B3AA013](#) [BC-25-5PD-300](#) [BS-08-B2AA016-R](#) [MY-AAA-22-J](#) [MY-AA-14-J](#) [MY-AAA-24-J](#) [MY-2032-28](#) [BS-06-A4BK016](#) [MY-FJ-01](#) [MY-1025-01](#) [MY-AA-5355-J](#) [BS-05-A1BJ018](#)