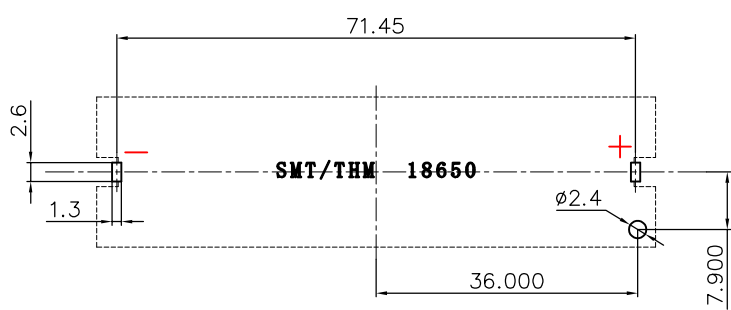
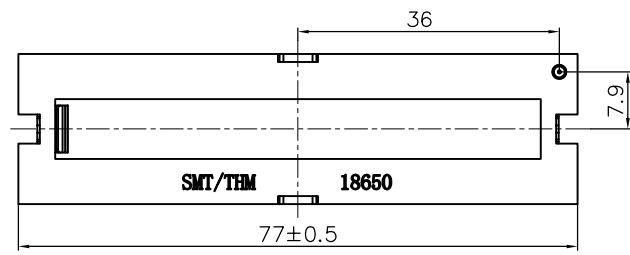
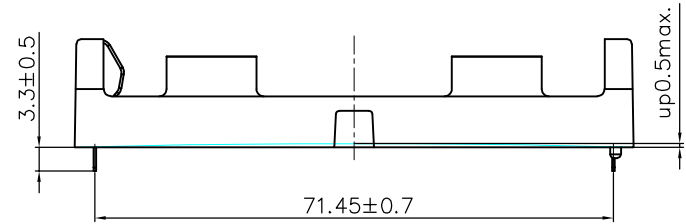
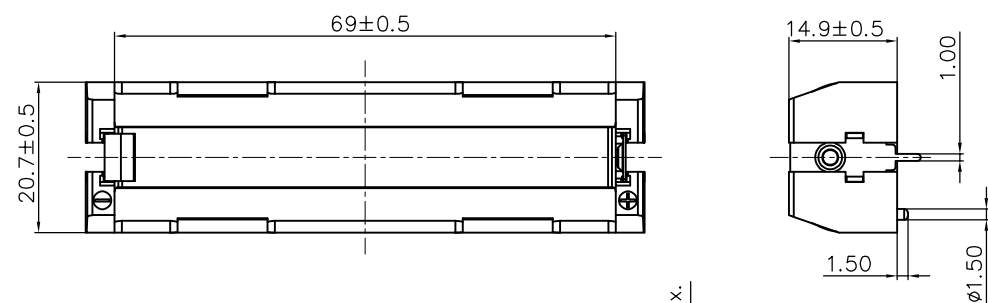


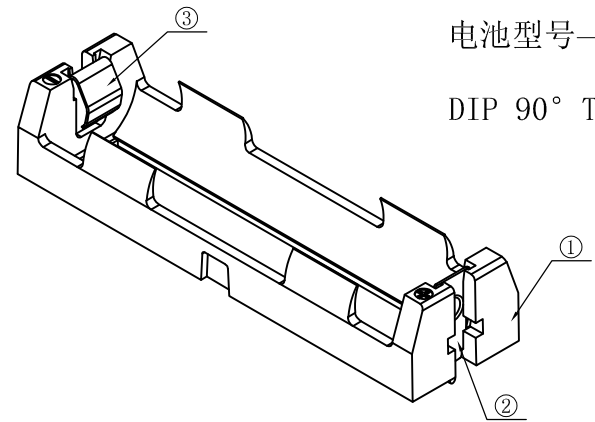


REV.	ECN NO.	REVISED	DATE

NOTE:
 1.MATERIAL:
 a.HOUSING:PA46 UL94 V-0 BLACK
 b.CONTACT:SUS304
 (SURFACE PLATING: Ni100U"~120U"")
 SEE ORDERING INFORMATION
 2.ELECTRIC:
 a.DIELECTNIC VOLTAGE: 500V AC ONE MINUTE
 b.OPERATING TEMPERATURE: -25°C~ +85°C



PCB Layout Diagram
TOP View



ORDERING INFORMATION
BH-18650-A6AJ002

电池盒

电池型号

DIP 90° TYPE

PLATING:
A-Au1U"
J-Ni100U"~120U"
K-Sn100U"~120U"

MATERIAL:
1A-PBT BLACK
1B-PA66 BLACK
2A-PPA BROWN
2B-PPA BLACK
3A-PPS BROWN
3B-PPS BLACK
4A-LCP WHITE
4B-LCP BLACK
5A-PA9T BLACK
6A-PA46 BLACK



3	TERMINAL-	1	SUS304 T=0.35MM	Ni(100-120u")-Plating
2	TERMINAL+	1	SUS304 T=0.35MM	Ni(100-120u")-Plating
1	HOUSING	1	PA46 UL94 V-0	BLACK
NO.	PART NAME	Q'TY	MATERIAL	PLATING & COLOR

UNLESS OTHERWISE SPECIFIED TOLERANCES		MYOUNG 美用 www.meiyangdz.com	
DECIMALS: X :±0.50 X.X :±0.30 X.XX :±0.25 X.XXX :±0.1	ANGLES: X :±3° X.X :±1°	DSND	Lieqinghuang
		DATE	2023-06-17
		CHKD	ZhouRuicai
		DATE	2023-06-17
		APVD	XueShunyong
		DATE	2023-06-17
		VIEW:	⊙ ⊚
		SCALE:	SIZE: A4
		UNIT: mm	REV.: A/0
		SHEET 1 OF 1	OBJECT: MY
		TITLE: 电池盒BH-18650-1J Ni DIP PA46	
		PART NO.: BH-18650-A6AJ002	
		DRAW NO.:WD-CP-0361	

X-ON Electronics

Largest Supplier of Electrical and Electronic Components

Click to view similar products for [Coin Cell Battery Holders](#) category:

Click to view products by [MYOUNG](#) manufacturer:

Other Similar products are found below :

[PDSN-11-D](#) [799-2007](#) [BH44AAB](#) [BH48DL](#) [BH8000](#) [MY-2430-01-R](#) [BS-16-B4AA006-R](#) [KH-CR1220-2](#) [BH-18650-A1AJ006](#) [BS-02-A1BK007](#) [BH-18650-A1AJ005](#) [BS-12-B3AA009-R](#) [BS-02-A1AK010-X](#) [BS-02-A1AJ010](#) [BS-03-A1AJ001](#) [MY-FJ-131-J-R](#) [MY-FJ-04-J-R](#) [BS-08-B2AA025](#) [BS-24-A1AJ017](#) [BH-18650-A5BJ001-2D](#) [BS-12-A1AJ002-Z](#) [BS-08-B2AA032](#) [MY-2032-04-R](#) [BS-12-B3AA011-R](#) [BS-621-B4AA001-R](#) [MY-ZJ-110](#) [MY-FJ-127-R](#) [BS-06-B4AA002-R](#) [MY-1220-04](#) [BH-AAA-A1AJ001](#) [BS-12-B3AA003-T](#) [MY-FJ-115II-R](#) [BS-06-B4AK001-R](#) [BH-18650-B1BA007](#) [MY-FJ-115II](#) [BH-AAA-B5AA001](#) [BE-13-017](#) [MY-2477-01](#) [BS-12-B3AA013](#) [BC-25-5PD-300](#) [BS-08-B2AA016-R](#) [MY-AAA-22-J](#) [MY-AA-14-J](#) [MY-AAA-24-J](#) [MY-2032-28](#) [BS-06-A4BK016](#) [MY-FJ-01](#) [MY-1025-01](#) [MY-AA-5355-J](#) [BS-05-A1BJ018](#)