



|      |         |         |      |
|------|---------|---------|------|
| REV. | ECN NO. | REVISED | DATE |
|      |         |         |      |

## NOTE:

## 1.MATERIAL:

- a.HOUSING:PA66 BLACK  
b.CONTACT:PHOSPHOR BRONZE  
(SURFACE PLATING: Au1u")

SEE ORDERING INFORMATION

## 2.ELECTRIC:

- a.CONTACT RESISTANCE: 30 MILLIOHMS MAX  
b.INSULATION RESISTANCE: 1000 MEGA OHMS MIN  
c.DIELECTRIC VOLTAGE: 500V AC ONE SEC LEVEL  
d.OPERATING TEMPERATURE: -25° C~ +85° C

## ORDERING INFORMATION

BH-18650-B\*\*\*002

电池盒

电池型号

SMT 180° TYPE

PLATING:

A-Au1U"

J-Ni100U"~120U"

K-Sn100U"~120U"

MATERIAL:

- 1A-PBT BLACK  
1B-PA66 BLACK  
2A-PPA BROWN  
2B-PPA BLACK  
3A-PPS BROWN  
3B-PPS BLACK  
4A-LCP WHITE  
4B-LCP BLACK  
5A-PA9T BLACK

工程部

2018-11-14

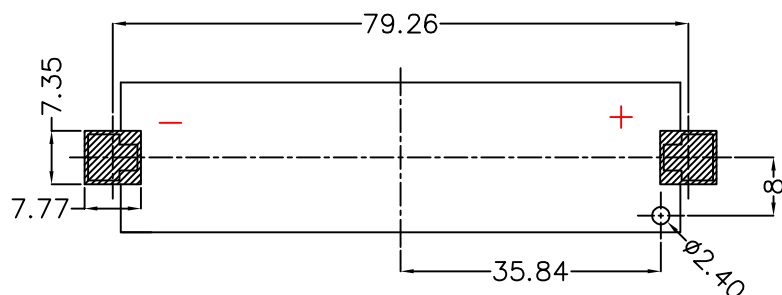
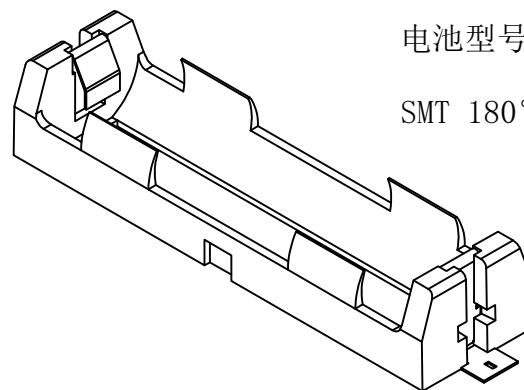
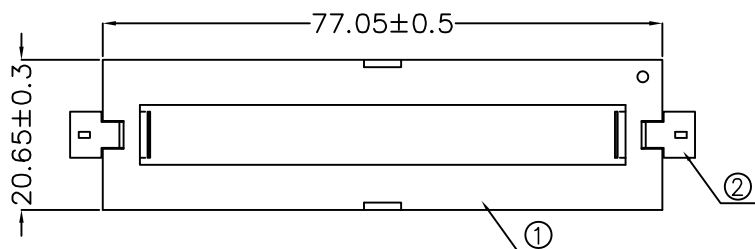
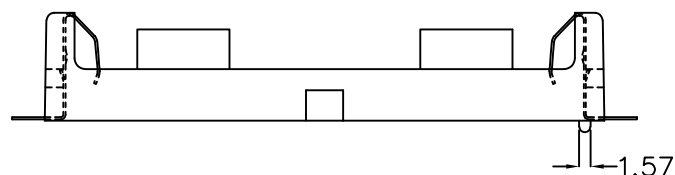
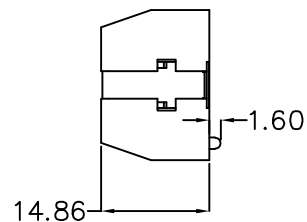
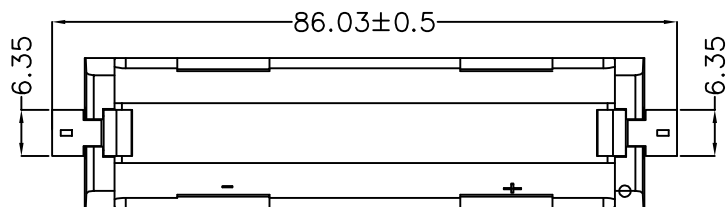
LQ. HUANG

UNLESS OTHERWISE SPECIFIED TOLERANCES

MYOUNG 美阳 www.meiyangdz.com

DECIMALS: ANGLES:  
X :±0.30 X :±1°  
X.X :±0.25 X.X :±0.5°  
X.XX :±0.20  
X.XXX :±0.10

|              |             |          |            |            |                       |
|--------------|-------------|----------|------------|------------|-----------------------|
| DSND         | YangFeng    | DATE     | 2018-11-14 | TITLE:     |                       |
| CHKD         | ZhouRuicai  | DATE     | 2018-11-14 |            | 电池盒BH-18650-1J Au SMT |
| APVD         | XueShunyong | DATE     | 2018-11-14 | PART NO.:  |                       |
| WEIGHT:      |             | SCALE:   | SIZE: A4   | VIEW:      | ⊕ ⊞                   |
| SHEET 1 OF 1 |             | UNIT: mm | REV.: A/0  | OBJECT: MY | DRAW NO.:WD-CP-0088   |



PCB Layout Diagram

Bottom View

|     |           |      |                           |                 |
|-----|-----------|------|---------------------------|-----------------|
| 2   | TERMINAL  | 1    | PHOSPHOR BRONZE, T=0.35MM | Au-Plating      |
| 1   | HOUSING   | 1    | PA66                      | BLACK           |
| NO. | PART NAME | Q'TY | MATERIAL                  | PLATING & COLOR |

1

2

3

4

5

6

7

8

## X-ON Electronics

Largest Supplier of Electrical and Electronic Components

*Click to view similar products for [Coin Cell Battery Holders](#) category:*

*Click to view products by [MYOUNG](#) manufacturer:*

Other Similar products are found below :

[9-1066-GF](#) [SMTU2450N-LF](#) [PDSN-11-D](#) [799-2007](#) [BH44AAB](#) [BH48DL](#) [BH8000](#) [MY-2430-01-R](#) [BS-16-B4AA006-R](#) [BS-24-B4AA016-R](#)  
[BS-08-B2AA025-R](#) [101](#) [3035](#) [1025](#) [1027](#) [103](#) [1060](#) [1063](#) [1065](#) [D3](#) [46400000](#) [BC-0403](#) [BH-121-1B](#) [BH-1/2AA-2A](#) [BH-131A](#) [BH-3101A](#)  
[BH-3103B](#) [BH-311-1A](#) [BH-311-1D](#) [BH-321-1B](#) [BH-321-1D](#) [BH-331-3D](#) [BH-331P](#) [BH-333A](#) [BH-341-1P](#) [BH-342-1A](#) [BH-351A](#) [BH-](#)  
[383A](#) [BH-422A](#) [BH-425A](#) [BH-431-1B](#) [BH-463A](#) [BH-511A](#) [46300000](#) [799-2001](#) [SBH-331A](#) [SBH-341-1A](#) [SBH-341-AS](#) [SBH-431-1AS](#)  
[SBH-441A](#)