



REV.	ECN NO.	REVISED	DATE

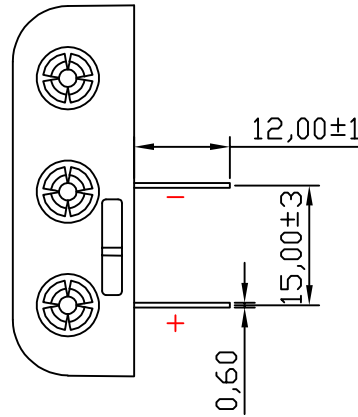
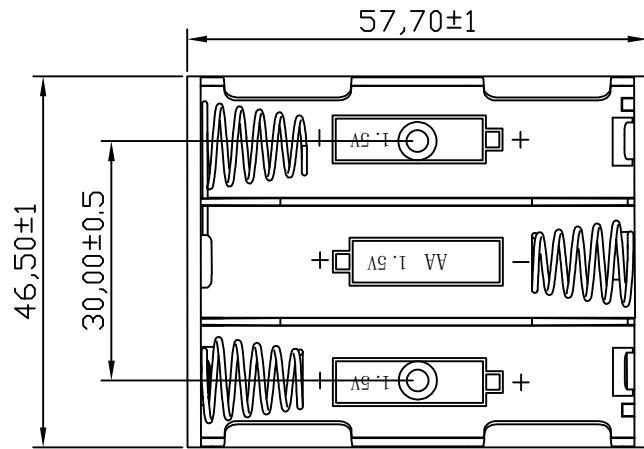
NOTE:

1.MATERIAL:

- a.HOUSING:PP RESIN BLACK
- b.PC TERMINALS:BRASS

2.ELECTRIC:

- a.DIELECTRIC VOLTAGE: 270V AC ONE SEC LEVEL
- b.OPERATING TEMPERATURE: -40°C~ +85°C



ORDERING INFORMATION

BH-AA-A*029**

电池盒

电池型号

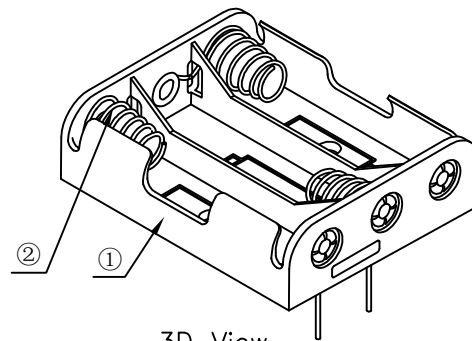
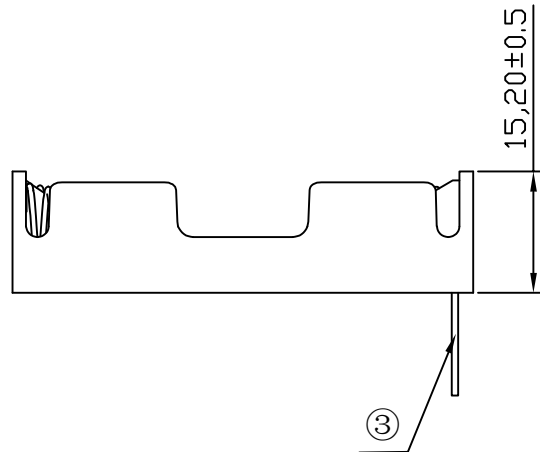
DIP 90° TYPE

PLATING:

- A-Au1U"
- J-Ni100U"~120U"
- K-Sn100U"~120U"

MATERIAL:

- 1A-PP BLACK
- 1B-PA66 BLACK
- 2A-PPA BROWN
- 2B-PPA BLACK
- 3A-PPS BROWN
- 3B-PPS BLACK
- 4A-LCP WHITE
- 4B-LCP BLACK
- 5A-PA9T BLACK



3D View

工程部
2020-06-03
H. WANG

3	PC TERMINALS	2	BRASS, ϕ 0.6MM	Ni-Plating
2	SPRING	3	MUSIC WIRE, ϕ 0.6MM	Ni-Plating
1	HOUSING	1	PP	BLACK
NO.	PART NAME	Q'TY	MATERIAL	PLATING & COLOR

UNLESS OTHERWISE SPECIFIED TOLERANCES		MYOUNG 美阳 www.meiyangdz.com	
DECIMALS: X :±0.30 X.X :±0.25 X.XX :±0.20 X.XXX :±0.10	ANGLES: X :±1° X.X :±0.5°	DSND YangFeng	DATE 2020-06-03
WEIGHT:		CHKD ZhouRuicai	DATE 2020-06-03
SHEET 1 OF 1		APVD XueShunyong	DATE 2020-06-03
SCALE:	SIZE: A4	VIEW:	TITLE: 电池盒BH-AA-3J DIP 单边两PIN12
UNIT: mm	REV.: A/1	OBJECT: MY	PART NO.: BH-AA-A1AJ029
DRAW NO.:WD-CP-0195			

X-ON Electronics

Largest Supplier of Electrical and Electronic Components

Click to view similar products for [Coin Cell Battery Holders](#) category:

Click to view products by [MYOUNG](#) manufacturer:

Other Similar products are found below :

[PDSN-11-D](#) [799-2007](#) [BH44AAB](#) [BH48DL](#) [BH8000](#) [MY-2430-01-R](#) [BS-16-B4AA006-R](#) [KH-CR1220-2](#) [BH-18650-A1AJ006](#) [BS-02-A1BK007](#) [BH-18650-A1AJ005](#) [BS-12-B3AA009-R](#) [BS-02-A1AK010-X](#) [BS-02-A1AJ010](#) [BS-03-A1AJ001](#) [MY-FJ-131-J-R](#) [MY-FJ-04-J-R](#) [BS-08-B2AA025](#) [BS-24-A1AJ017](#) [BH-18650-A5BJ001-2D](#) [BS-12-A1AJ002-Z](#) [BS-08-B2AA032](#) [MY-2032-04-R](#) [BS-12-B3AA011-R](#) [BS-621-B4AA001-R](#) [MY-ZJ-110](#) [MY-FJ-127-R](#) [BS-06-B4AA002-R](#) [MY-1220-04](#) [BH-AAA-A1AJ001](#) [BS-12-B3AA003-T](#) [MY-FJ-115II-R](#) [BS-06-B4AK001-R](#) [BH-18650-B1BA007](#) [MY-FJ-115II](#) [BH-AAA-B5AA001](#) [BE-13-017](#) [MY-2477-01](#) [BS-12-B3AA013](#) [BC-25-5PD-300](#) [BS-08-B2AA016-R](#) [MY-AAA-22-J](#) [MY-AA-14-J](#) [MY-AAA-24-J](#) [MY-2032-28](#) [BS-06-A4BK016](#) [MY-FJ-01](#) [MY-1025-01](#) [MY-AA-5355-J](#) [BS-05-A1BJ018](#)