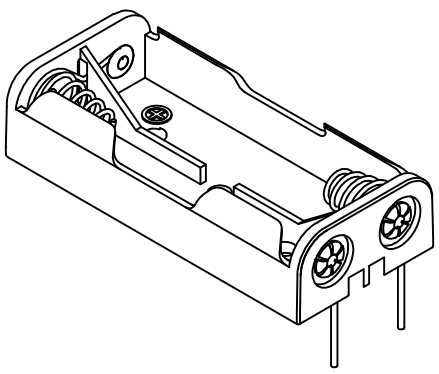
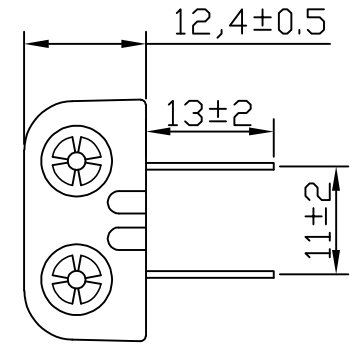
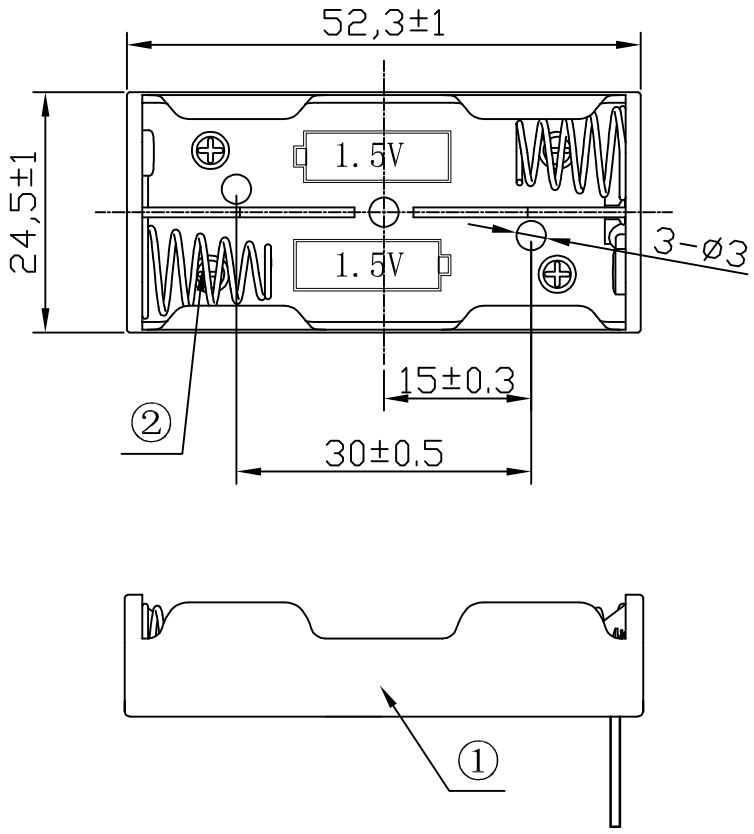




REV.	ECN NO.	REVISED	DATE

NOTE:
 1.MATERIAL:
 a.HOUSING:PP BLACK
 b.SPRING:MUSIC WIRE
 (SURFACE PLATING: Ni100u"~120u")
 SEE ORDERING INFORMATION
 2.ELECTRIC:
 a.DIELECTNIC VOLTAGE: 270V AC ONE SEC LEVEL
 b.OPERATING TEMPERATURE: -10°C~ +100°C



ORDERING INFORMATION
BH-AA-A1AJ020

电池盒 — PLATING:
 A-Au1U"
 J-Ni100U"~120U"
 K-Sn100U"~120U"
 电池型号 — MATERIAL:
 1A-PP BLACK
 1B-PA66 BLACK
 2A-PPA BROWN
 2B-PPA BLACK
 3A-PPS BROWN
 3B-PPS BLACK
 4A-LCP WHITE
 4B-LCP BLACK
 5A-PP BLACK
 5B-ABS BLACK
 DIP 90° TYPE



UNLESS OTHERWISE SPECIFIED TOLERANCES		MYOUNG 美阳 www.meiyangdz.com	
DECIMALS: X :±0.30 X.X :±0.25 X.XX :±0.20 X.XXX :±0.10	ANGLES: X :±1° X.X :±0.5°	DSND YangFeng	DATE 2022-11-15
WEIGHT: SHEET 1 OF 1		CHKD ZhouRuicai	DATE 2022-11-15
		APVD XueShunyong	DATE 2022-11-15
TITLE: 电池盒BH-AAA-2J DIP 单边两PIN		PART NO.: BH-AAA-A1AJ020	
SCALE: VIEW:		UNIT: mm	REV.: A/0
DRAW NO.:WD-CP-0164		OBJECT: MY	

2	SPRING	2	MUSIC WIRE	Ni-Plating
1	HOUSING	1	PP	BLACK
NO.	PART NAME	Q'TY	MATERIAL	PLATING & COLOR

X-ON Electronics

Largest Supplier of Electrical and Electronic Components

Click to view similar products for [Coin Cell Battery Holders](#) category:

Click to view products by [MYOUNG](#) manufacturer:

Other Similar products are found below :

[PDSN-11-D](#) [799-2007](#) [BH44AAB](#) [BH48DL](#) [BH8000](#) [MY-2430-01-R](#) [BS-16-B4AA006-R](#) [KH-CR1220-2](#) [BH-18650-A1AJ006](#) [BS-02-A1BK007](#) [BH-18650-A1AJ005](#) [BS-12-B3AA009-R](#) [BS-02-A1AK010-X](#) [BS-02-A1AJ010](#) [BS-03-A1AJ001](#) [MY-FJ-131-J-R](#) [MY-FJ-04-J-R](#) [BS-08-B2AA025](#) [BS-24-A1AJ017](#) [BH-18650-A5BJ001-2D](#) [BS-12-A1AJ002-Z](#) [BS-08-B2AA032](#) [MY-2032-04-R](#) [BS-12-B3AA011-R](#) [BS-621-B4AA001-R](#) [MY-ZJ-110](#) [MY-FJ-127-R](#) [BS-06-B4AA002-R](#) [MY-1220-04](#) [BH-AAA-A1AJ001](#) [BS-12-B3AA003-T](#) [MY-FJ-115II-R](#) [BS-06-B4AK001-R](#) [BH-18650-B1BA007](#) [MY-FJ-115II](#) [BH-AAA-B5AA001](#) [BE-13-017](#) [MY-2477-01](#) [BS-12-B3AA013](#) [BC-25-5PD-300](#) [BS-08-B2AA016-R](#) [MY-AAA-22-J](#) [MY-AA-14-J](#) [MY-AAA-24-J](#) [MY-2032-28](#) [BS-06-A4BK016](#) [MY-FJ-01](#) [MY-1025-01](#) [MY-AA-5355-J](#) [BS-05-A1BJ018](#)