



REV.	ECN NO.	REVISED	DATE

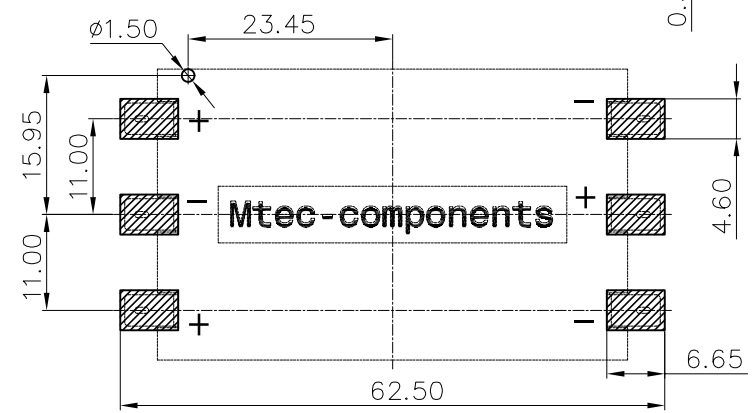
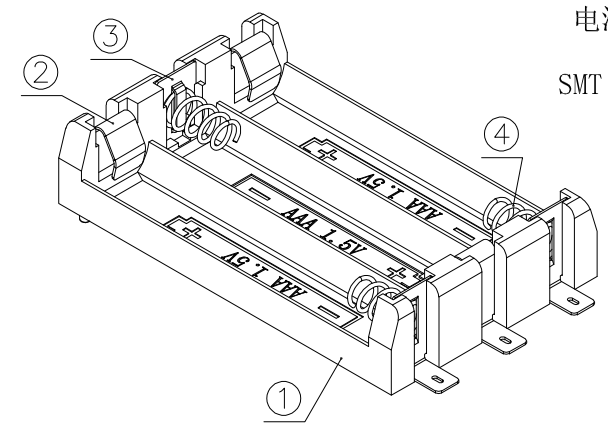
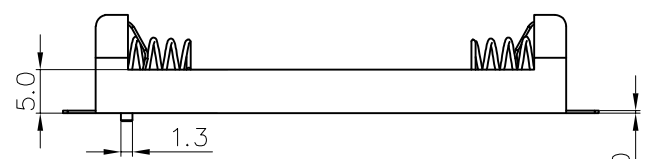
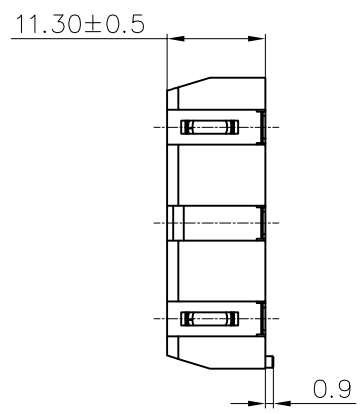
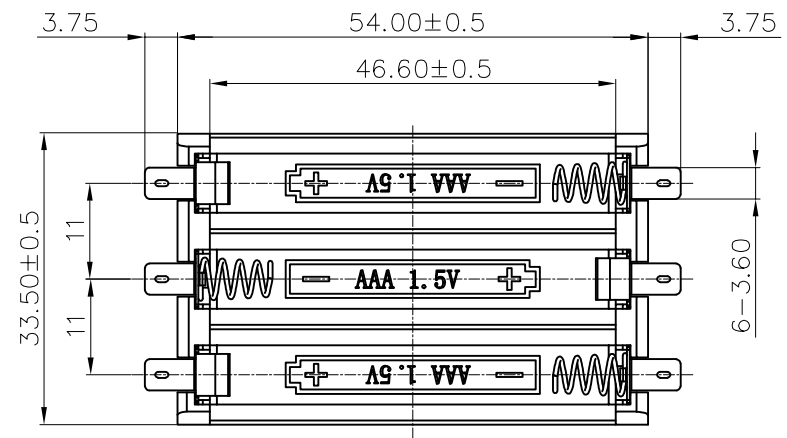
NOTE:
 1.MATERIAL:
 a.HOUSING:PA9T BLACK
 b.CONTACT:PHOSPHOR BRONZE
 c.SPRING: STAINLESS STEEL
 (SURFACE PLATING: Au 1u")
 SEE ORDERING

INFORMATION
 2.ELECTRIC:
 a.CONTACT RESISTANCE: 30 MILLIOHMS MAX
 b.INSULATION RESISTANCE: 100 MEGA OHMS
 MIN
 c.DIELECTNIC VOLTAGE: 500V AC ONE SEC
 LEVEL
 d.OPERATING TEMPERATURE: -25°C~ +85°C

ORDERING INFORMATION
BH-AAA-B5AA005

电池盒
 电池型号
 SMT 180° TYPE
 PLATING:
 A-Au1U"
 J-Ni100U"~120U"
 K-Sn100U"~120U"
 MATERIAL:
 1A-PBT BLACK
 1B-PA66 BLACK
 2A-PPA BROWN
 2B-PPA BLACK
 3A-PPS BROWN
 3B-PPS BLACK
 4A-LCP WHITE
 4B-LCP BLACK
 5A-PA9T BLACK

工程部
 2022-10-12
 LQ. HUANG



PCB Layout Diagram
 Bottom View

4	SPRING	3	SUS SPRING ø0.5	Au-Plating
3	TERMINAL-	3	PHOSPHOR BRONZE, T=0.3mm	Au-Plating
2	TERMINAL+	3	PHOSPHOR BRONZE, T=0.3mm	Au-Plating
1	HOUSING	1	PA9T BLACK	BLACK
NO.	PART NAME	Q'TY	MATERIAL	PLATING & COLOR

UNLESS OTHERWISE SPECIFIED TOLERANCES		MYOUNG 美用 www.meiyangdz.com	
DECIMALS: X.X :±0.30 X.XX :±0.25 X.XXX :±0.10	ANGLES: X :±1° X.X :±0.5°	DSND YangFeng	DATE 2022-10-12
WEIGHT:		CHKD ZhouRuicai	DATE 2022-10-12
SHEET 1 OF 1		APVD XueShunyong	DATE 2022-10-12
TITLE: 电池盒BH-AAA-3J Au SMT		SCALE:	VIEW:
PART NO.: BH-AAA-B5AA005		SIZE: A4	REV.: A/0
DRAW NO.:MY-CP-0241		UNIT: mm	OBJECT: MY

X-ON Electronics

Largest Supplier of Electrical and Electronic Components

Click to view similar products for [Coin Cell Battery Holders](#) category:

Click to view products by [MYOUNG](#) manufacturer:

Other Similar products are found below :

[9-1066-GF](#) [SMTU2450N-LF](#) [PDSN-11-D](#) [799-2007](#) [BH44AAB](#) [BH48DL](#) [BH8000](#) [MY-2430-01-R](#) [BS-16-B4AA006-R](#) [BS-24-B4AA016-R](#)
[BS-08-B2AA025-R](#) [101](#) [3035](#) [1025](#) [1027](#) [103](#) [1060](#) [1063](#) [1065](#) [D3](#) [46400000](#) [BC-0403](#) [BH-121-1B](#) [BH-1/2AA-2A](#) [BH-131A](#) [BH-3101A](#)
[BH-3103B](#) [BH-311-1A](#) [BH-311-1D](#) [BH-321-1B](#) [BH-321-1D](#) [BH-331-3D](#) [BH-331P](#) [BH-333A](#) [BH-341-1P](#) [BH-342-1A](#) [BH-351A](#) [BH-](#)
[383A](#) [BH-422A](#) [BH-425A](#) [BH-431-1B](#) [BH-463A](#) [BH-511A](#) [46300000](#) [799-2001](#) [SBH-331A](#) [SBH-341-1A](#) [SBH-341-AS](#) [SBH-431-1AS](#)
[SBH-441A](#)