



REV.	ECN NO.	REVISED	DATE

NOTE:

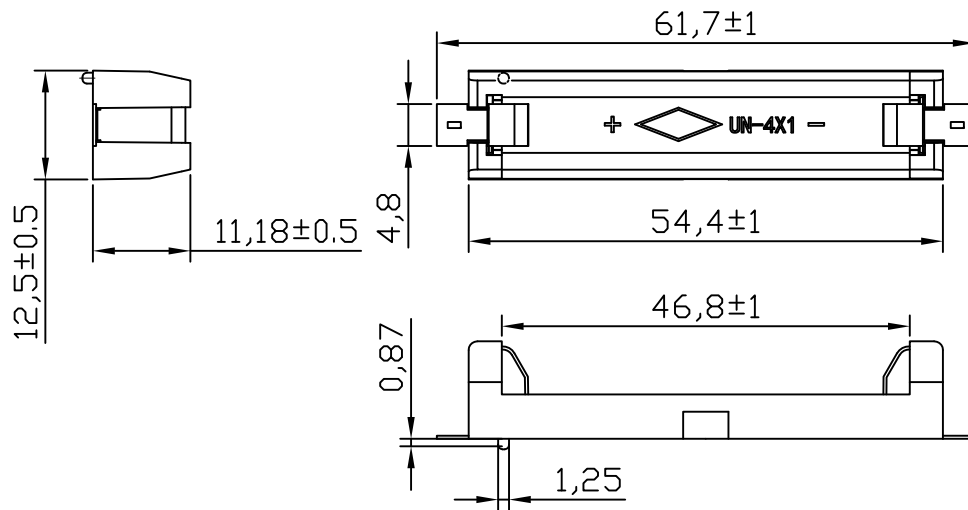
1.MATERIAL:

- a.HOUSING:NYLON BLACK
- b.CONTACT:PHOSPHOR BRONZE
(SURFACE PLATING: Au 1U")

SEE ORDERING INFORMATION

2.ELECTRIC:

- a.DIELECTRIC VOLTAGE: 500V AC ONE SEC LEVEL
- b.OPERATING TEMPERATURE: -25° C~ +85° C



ORDERING INFORMATION

BH-AAA-B*021**

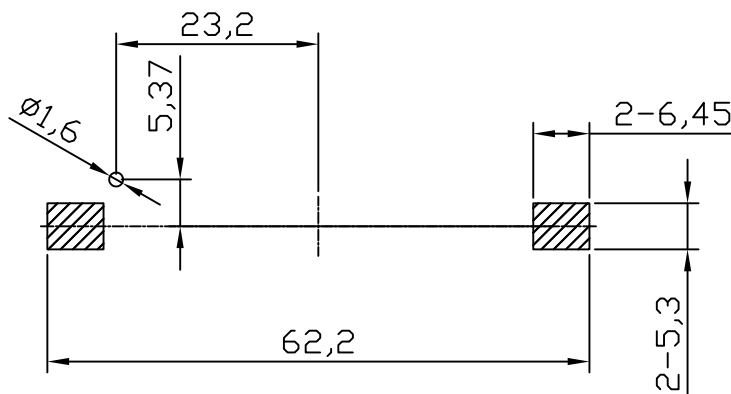
电池盒

电池型号

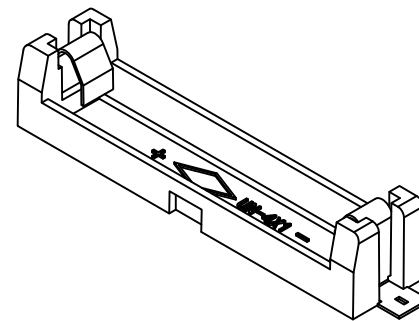
SMT 180° TYPE

PLATING:
A-Au1U"
J-Ni100U"~120U"
K-Sn100U"~120U"

MATERIAL:
1A-PBT BLACK
1B-PA66 BLACK
2A-PPA BROWN
2B-PPA BLACK
3A-PPS BROWN
3B-PPS BLACK
4A-LCP WHITE
4B-LCP BLACK
5A-PA9T BLACK
5B-NYLON BLACK



PCB Layout Diagram
Bottom View



UNLESS OTHERWISE SPECIFIED TOLERANCES		MYOUNG 美阳 www.meiyangdz.com	
DECIMALS: X :±0.30 X.X :±0.25 X.XX :±0.20 X.XXX :±0.10	ANGLES: X :±1° X.X :±0.5°	DSND YangFeng	DATE 2021-09-01
WEIGHT:		CHKD ZhouRuicai	DATE 2021-09-01
		APVD XueShunyong	DATE 2021-09-01
SHEET 1 OF 1		SCALE:	VIEW:
		UNIT: mm	REV.: A/0
		SIZE: A4	OBJECT: MY
		TITLE: 电池盒BH-AAA-1J Au SMT	
		PART NO.: BH-AAA-B5BA021	
		DRAW NO.:MY-CP-0165	

2	TERMINAL	4	PHOSPHOR BRONZE, T=0.3mm	Au-Plating
1	HOUSING	1	NYLON	BLACK
NO.	PART NAME	Q'TY	MATERIAL	PLATING & COLOR

X-ON Electronics

Largest Supplier of Electrical and Electronic Components

Click to view similar products for [Coin Cell Battery Holders](#) category:

Click to view products by [MYOUNG](#) manufacturer:

Other Similar products are found below :

[PDSN-11-D](#) [799-2007](#) [BH44AAB](#) [BH48DL](#) [BH8000](#) [MY-2430-01-R](#) [BS-16-B4AA006-R](#) [KH-CR1220-2](#) [BH-18650-A1AJ006](#) [BS-02-A1BK007](#) [BH-18650-A1AJ005](#) [BS-12-B3AA009-R](#) [BS-02-A1AK010-X](#) [BS-02-A1AJ010](#) [BS-03-A1AJ001](#) [MY-FJ-131-J-R](#) [MY-FJ-04-J-R](#) [BS-08-B2AA025](#) [BS-24-A1AJ017](#) [BH-18650-A5BJ001-2D](#) [BS-12-A1AJ002-Z](#) [BS-08-B2AA032](#) [MY-2032-04-R](#) [BS-12-B3AA011-R](#) [BS-621-B4AA001-R](#) [MY-ZJ-110](#) [MY-FJ-127-R](#) [BS-06-B4AA002-R](#) [MY-1220-04](#) [BH-AAA-A1AJ001](#) [BS-12-B3AA003-T](#) [MY-FJ-115II-R](#) [BS-06-B4AK001-R](#) [BH-18650-B1BA007](#) [MY-FJ-115II](#) [BH-AAA-B5AA001](#) [BE-13-017](#) [MY-2477-01](#) [BS-12-B3AA013](#) [BC-25-5PD-300](#) [BS-08-B2AA016-R](#) [MY-AAA-22-J](#) [MY-AA-14-J](#) [MY-AAA-24-J](#) [MY-2032-28](#) [BS-06-A4BK016](#) [MY-FJ-01](#) [MY-1025-01](#) [MY-AA-5355-J](#) [BS-05-A1BJ018](#)