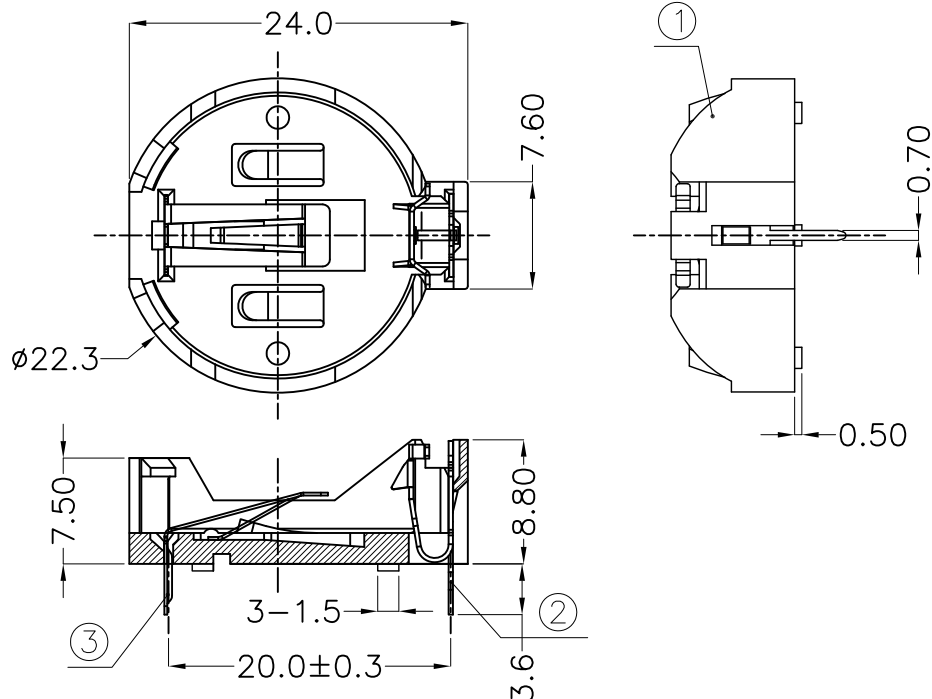




REV.	ECN NO.	REVISED	DATE



NOTE:

1.MATERIAL:

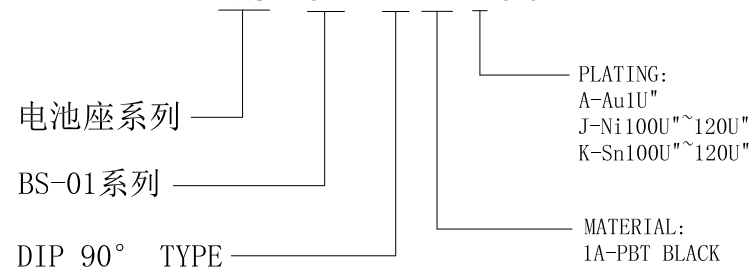
- a.HOUSING:LCP
 - b.CONTACT: BRASS
(SURFACE PLATING:Ni 100u'' ~120u'')
- SEE ORDERING INFORMATION

2.ELECTRIC:

- a.CONTACT RESISTANCE: 30 MILLIOHMS MAX
- b.INSULATION RESISTANCE: 1000 MEGA OHMS MIN
- c.DIELECTNIC VOLTAGE: 1000V AC ONE SEC LEVEL
- d.OPERATING TEMPERATURE: -25°C~ +85°C

ORDERING INFORMATION

BS-01-A***004



PCB Layout Diagram
Top View

NO.	PART NAME	Q'TY	MATERIAL	PLATING & COLOR
3	TERMINAL(-)	1	BRASS, T=0.20mm	Ni-Plating
2	TERMINAL(+)	1	BRASS, T=0.30mm	Ni-Plating
1	HOUSING	1	LCP	BLACKHF

UNLESS OTHERWISE SPECIFIED TOLERANCES		MYOUNG 美阳 www.meiyangdz.com			
DECIMALS: X :±0.30 X.X :±0.25 X.XX :±0.20 X.XXX :±0.10	ANGLES: X :±1° X.X :±0.5°	DSND	YangFeng	DATE	2020-11-17
WEIGHT: g		CHKD	ZhouRuicai	DATE	2020-11-17
SHEET 1 OF 1		APVD	XueShun Yong	DATE	2020-11-17
SCALE: SIZE: A4		VIEW:		TITLE: BS-2032-1-1 LCP DIP	
UNIT: mm		REV.: A/0		PART NO.: BS-01-A4CJ004	
OBJECT: MY		DRAW NO.:WD-CP-0101			

X-ON Electronics

Largest Supplier of Electrical and Electronic Components

Click to view similar products for [Coin Cell Battery Holders](#) category:

Click to view products by [MYOUNG](#) manufacturer:

Other Similar products are found below :

[SMTU2450N-LF](#) [PDSN-11-D](#) [799-2007](#) [BH44AAB](#) [BH48DL](#) [BH8000](#) [MY-2430-01-R](#) [BS-16-B4AA006-R](#) [BS-24-B4AA016-R](#) [BS-08-B2AA025-R](#) [MY-FJ-113LM-R](#) [BS-12-B3AA003-R](#) [BS-08-B2AA020-R](#) [CR1220-2ZX](#) [MY-1220-06X](#) [BS-12-B3AA008-R](#) [BS-24-B4AA016](#) [BS-05-A1BJ003](#) [101](#) [3035](#) [1025](#) [1027](#) [103](#) [1060](#) [1063](#) [1065](#) [D3](#) [BH-121-1B](#) [BH-1/2AA-2A](#) [BH-131A](#) [BH-3101A](#) [BH-3103B](#) [BH-311-1A](#) [BH-311-1D](#) [BH-321-1A](#) [BH-321-1B](#) [BH-321-1D](#) [BH-331-3D](#) [BH-331P](#) [BH-333A](#) [BH-341-1P](#) [BH-342-1A](#) [BH-351A](#) [BH-362B](#) [BH-383A](#) [BH-421A](#) [BH-425A](#) [BH-431-1B](#) [BH-463A](#) [BH-511A](#)