



REV.	ECN NO.	REVISED	DATE

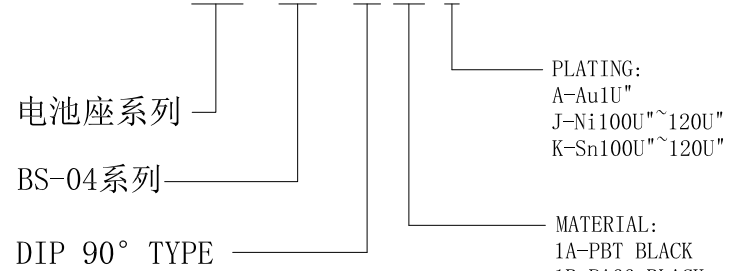
NOTE:

- 1.MATERIAL:
 a.HOUSING:PA66 UL94V-0
 b.CONTACT:BRASS
 (SURFACE PLATING: Ni100u"-120u")
 SEE ORDERING INFORMATION

- 2.ELECTRIC:
 a.CONTACT RESISTANCE: 30 MILLIOHMS MAX
 b.INSULATION RESISTANCE: 1000 MEGA OHMS MIN
 c.DIELECTNIC VOLTAGE: 500V AC ONE SEC LEVEL
 d.OPERATING TEMPERATURE: -25° C~ +85° C

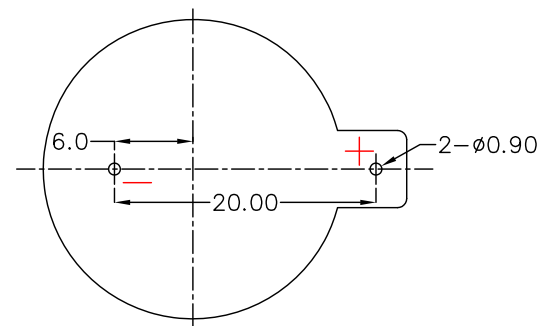
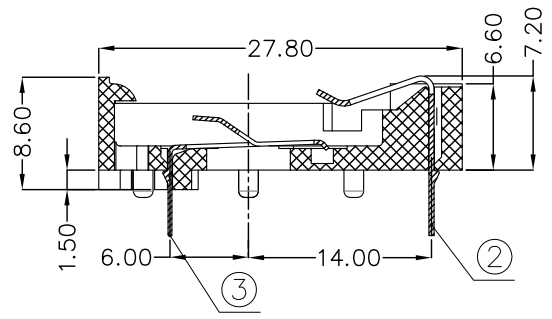
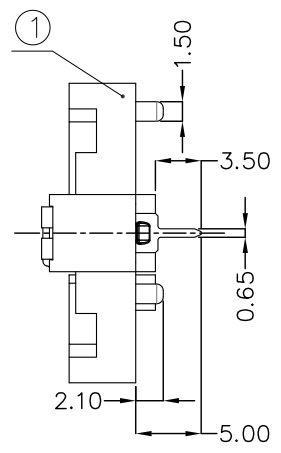
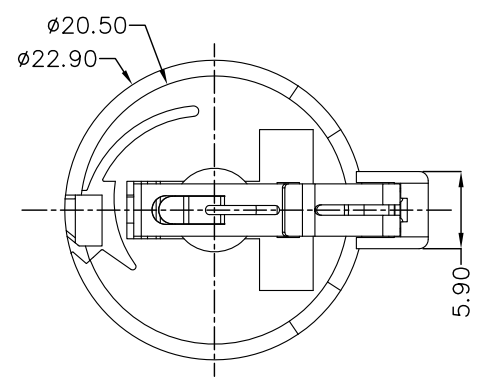
ORDERING INFORMATION

BS-04-A***004



PLATING:
 A-Au1U"
 J-Ni100U"~120U"
 K-Sn100U"~120U"

MATERIAL:
 1A-PBT BLACK
 1B-PA66 BLACK
 2A-PPA BROWN
 2B-PPA BLACK
 3A-PPS BROWN
 3B-PPS BLACK
 4A-LCP WHITE
 4B-LCP BLACK



PCB Layout Diagram
Top View

3	TERMINAL(-)	1	BRASS T=0.3MM	Ni-Plating
2	TERMINAL(+)	1	BRASS T=0.4MM	Ni-Plating
1	HOUSING	1	PA66 UL94V-0	BLACK
NO.	PART NAME	Q'TY	MATERIAL	PLATING & COLOR

UNLESS OTHERWISE SPECIFIED TOLERANCES		MYOUNG 美阳 www.meiyangdz.com			
DECIMALS: X :±0.30 X.X :±0.25 X.XX :±0.20 X.XXX :±0.10	ANGLES: X :±1° X.X :±0.5°	DSND	YangFeng	DATE	2018-05-08
		CHKD	ZhouRuicai	DATE	2018-05-08
		APVD	XueShunyong	DATE	2018-05-08
WEIGHT:		SCALE:	SIZE: A4	VIEW:	⊕ ⊖
SHEET 1 OF 1		UNIT: mm	REV.: A/0	OBJECT: MY	TITLE: BS-2032-4-1 Ni DIP PART NO.: BS-04-A1BJ004 DRAW NO.:MY-CP-0142

X-ON Electronics

Largest Supplier of Electrical and Electronic Components

Click to view similar products for [Coin Cell Battery Holders](#) category:

Click to view products by [MYOUNG](#) manufacturer:

Other Similar products are found below :

[9-1066-GF](#) [SMTU2450N-LF](#) [PDSN-11-D](#) [799-2007](#) [BH44AAB](#) [BH48DL](#) [BH8000](#) [MY-2430-01-R](#) [BS-16-B4AA006-R](#) [BS-24-B4AA016-R](#)
[BS-08-B2AA025-R](#) [101](#) [3035](#) [1025](#) [1027](#) [103](#) [1060](#) [1063](#) [1065](#) [D3](#) [46400000](#) [BC-0403](#) [BH-121-1B](#) [BH-1/2AA-2A](#) [BH-131A](#) [BH-3101A](#)
[BH-3103B](#) [BH-311-1A](#) [BH-311-1D](#) [BH-321-1A](#) [BH-321-1B](#) [BH-321-1D](#) [BH-331-3D](#) [BH-331P](#) [BH-333A](#) [BH-341-1P](#) [BH-342-1A](#) [BH-](#)
[351A](#) [BH-383A](#) [BH-422A](#) [BH-425A](#) [BH-431-1B](#) [BH-463A](#) [BH-511A](#) [46300000](#) [799-2001](#) [SBH-331A](#) [SBH-341-1A](#) [SBH-341-AS](#) [SBH-](#)
[431-1AS](#)