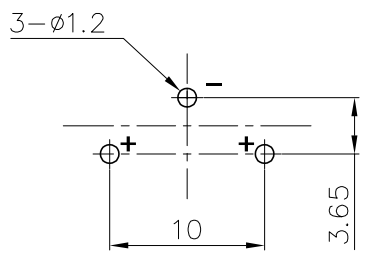
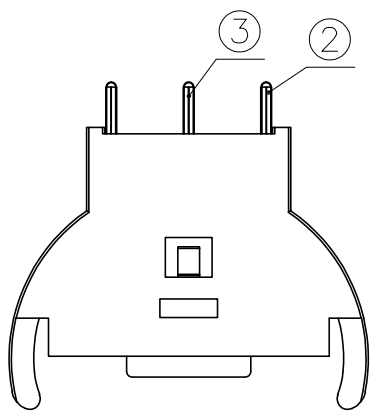
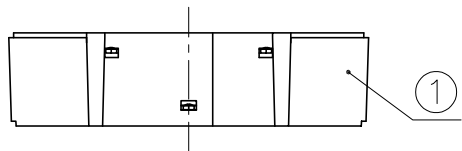
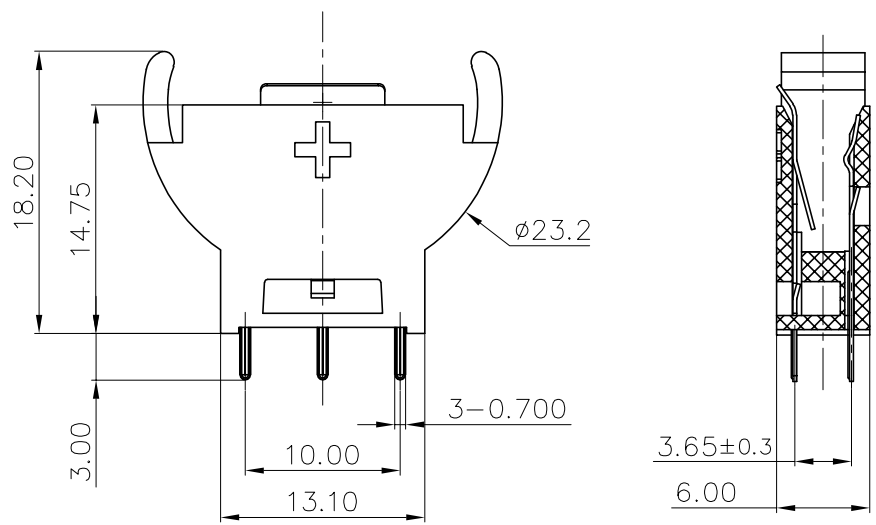




REV.	ECN NO.	REVISED	DATE



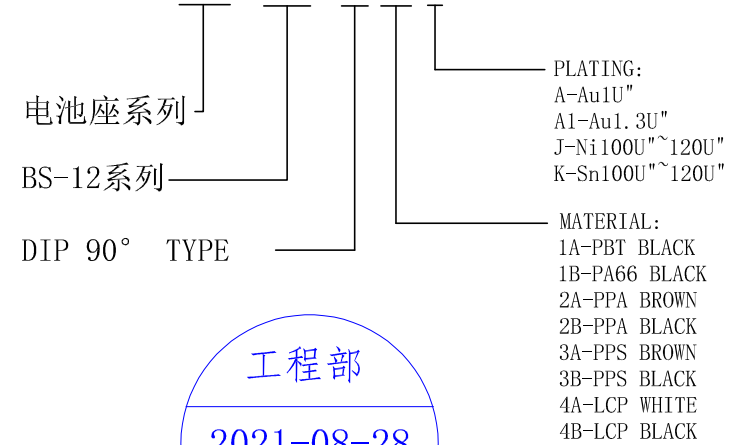
PCB Layout Diagram
Top View

NOTE:

- 1.MATERIAL:
 - a.HOUSING:LCP BLACK UL94V-0
 - b.CONTACT:BRASS
(SURFACE PLATING: Sn 100u"-120u")
SEE ORDERING INFORMATION
- 2.ELECTRIC:
 - a.CONTACT RESISTANCE: 50 MILLIOHMS MAX
 - b.INSULATION RESISTANCE: 100 MEGA OHMS MIN
 - c.DIELECTNIC VOLTAGE: 500V AC ONE SEC
- LEVEL
 - d.OPERATING TEMPERATURE: -25° C~ +85° C

ORDERING INFORMATION

BS-05-A4BK013



3	TERMINAL(-)	1	BRASS, T=0.25mm	Sn Plating
2	TERMINAL(+)	1	BRASS, T=0.25mm	Sn Plating
1	HOUSING	1	LCP	BLACK
NO.	PART NAME	Q'TY	MATERIAL	PLATING & COLOR

UNLESS OTHERWISE SPECIFIED TOLERANCES		MYOUNG 美阳 www.meiyangdz.com			
DECIMALS: X :±0.30 X.X :±0.25 X.XX :±0.20 X.XXX :±0.10	ANGLES: X :±1° X.X :±0.5°	DSND	YangFeng	DATE	2021-08-28
		CHKD	ZhouRuicia	DATE	2021-08-28
		APVD	XueShun Yong	DATE	2021-08-28
WEIGHT: 9		SCALE:	SIZE: A4	VIEW:	⊕ ⊖
SHEET 1 OF 1		UNIT: mm	REV.: A/0	OBJECT: MY	DRAW NO.:MY-CP-0273
		TITLE:		BS-2032-5 Sn LCP DIP	
		PART NO.:		BS-05-A4BK013	

X-ON Electronics

Largest Supplier of Electrical and Electronic Components

Click to view similar products for [Coin Cell Battery Holders](#) category:

Click to view products by [MYOUNG](#) manufacturer:

Other Similar products are found below :

[PDSN-11-D](#) [799-2007](#) [BH44AAB](#) [BH48DL](#) [BH8000](#) [MY-2430-01-R](#) [BS-16-B4AA006-R](#) [KH-CR1220-2](#) [BH-18650-A1AJ006](#) [BS-02-A1BK007](#) [BH-18650-A1AJ005](#) [BS-12-B3AA009-R](#) [BS-02-A1AK010-X](#) [BS-02-A1AJ010](#) [BS-03-A1AJ001](#) [MY-FJ-131-J-R](#) [MY-FJ-04-J-R](#) [BS-08-B2AA025](#) [BS-24-A1AJ017](#) [BH-18650-A5BJ001-2D](#) [BS-12-A1AJ002-Z](#) [BS-08-B2AA032](#) [MY-2032-04-R](#) [BS-12-B3AA011-R](#) [BS-621-B4AA001-R](#) [MY-ZJ-110](#) [MY-FJ-127-R](#) [BS-06-B4AA002-R](#) [MY-1220-04](#) [BH-AAA-A1AJ001](#) [BS-12-B3AA003-T](#) [MY-FJ-115II-R](#) [BS-06-B4AK001-R](#) [BH-18650-B1BA007](#) [MY-FJ-115II](#) [BH-AAA-B5AA001](#) [BE-13-017](#) [MY-2477-01](#) [BS-12-B3AA013](#) [BC-25-5PD-300](#) [BS-08-B2AA016-R](#) [MY-AAA-22-J](#) [MY-AA-14-J](#) [MY-AAA-24-J](#) [MY-2032-28](#) [BS-06-A4BK016](#) [MY-FJ-01](#) [MY-1025-01](#) [MY-AA-5355-J](#) [BS-05-A1BJ018](#)