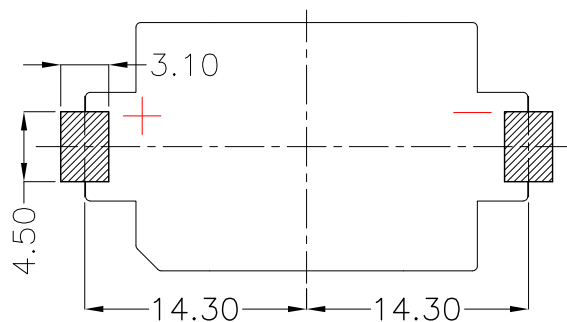
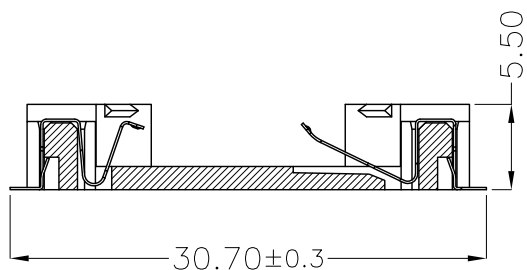
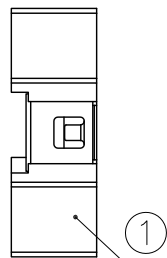
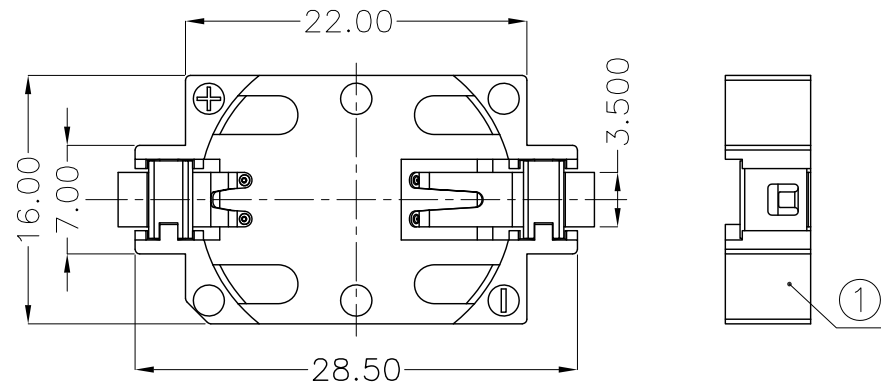
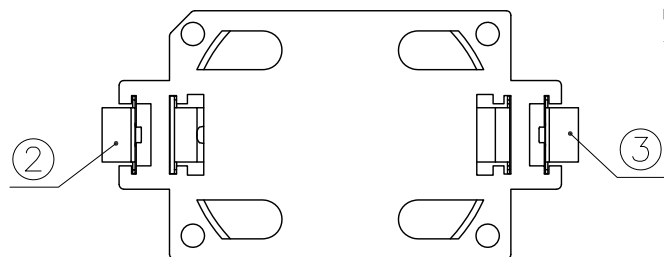




REV.	ECN NO.	REVISED	DATE



PCB Layout Diagram  
Top View



1.MATERIAL:  
a.HOUSING:LCP  
b.CONTACT:PHOSPHOR BRONZE  
(SURFACE PLATING: Au1u")  
SEE ORDERING INFORMATION

2.ELECTRIC:  
a.CONTACT RESISTANCE: 30 MILLIOHMS MAX  
b.INSULATION RESISTANCE: 1000 MEGA OHMS MIN  
c.DIELECTNIC VOLTAGE: 500V AC ONE SEC LEVEL  
d.OPERATING TEMPERATURE: -25°C~ +85°C

ORDERING INFORMATION

BS-06-B\*\*\*012

电池座系列

BS-06系列

SMT 180° TYPE

PLATING:  
A-Au1U"  
J-Ni100U"~120U"  
K-Sn100U"~120U"

MATERIAL:  
1A-PBT BLACK  
1B-PA66 BLACK  
2A-PPA BROWN  
2B-PPA BLACK  
3A-PPS BROWN  
3B-PPS BLACK  
4A-LCP WHITE  
4B-LCP BLACK  
5A-PA6T WHITE  
5B-PA6T BLACK



NO.	PART NAME	Q'TY	MATERIAL	PLATING & COLOR
3	TERMINAL(-)	1	PHOSPHOR BRONZE, T=0.15mm	Gold Plating and Ni Under-Plating
2	TERMINAL(+)	1	PHOSPHOR BRONZE, T=0.15mm	Gold Plating and Ni Under-Plating
1	HOUSING	1	LCP	WHITE

UNLESS OTHERWISE SPECIFIED TOLERANCES		<b>MYOUNG 美阳</b> <a href="http://www.meiyangdz.com">www.meiyangdz.com</a>	
DECIMALS: X :±0.30 X.X :±0.25 X.XX :±0.20 X.XXX :±0.10	ANGLES: X :±1° X.X :±0.5°	DSND YangFeng	DATE 2017-07-11
WEIGHT: 1.49g		CHKD ZhouRuicai	DATE 2017-07-11
SHEET 1 OF 1		APVD XueShunYong	DATE 2017-07-11
UNIT: mm	REV.: A/0	SCALE: 2:1	VIEW:
SIZE: A4	OBJECT: MY	TITLE:	BS-2032-6 Au SMT 短脚
		PART NO.:	BS-06-B4AA012
		DRAW NO.:	MY-CP-0164

## X-ON Electronics

Largest Supplier of Electrical and Electronic Components

*Click to view similar products for [Coin Cell Battery Holders](#) category:*

*Click to view products by [MYOUNG](#) manufacturer:*

Other Similar products are found below :

[9-1066-GF](#) [SMTU2450N-LF](#) [PDSN-11-D](#) [799-2007](#) [BH44AAB](#) [BH48DL](#) [BH8000](#) [MY-2430-01-R](#) [BS-16-B4AA006-R](#) [BS-24-B4AA016-R](#)  
[BS-08-B2AA025-R](#) [101](#) [3035](#) [1025](#) [1027](#) [103](#) [1060](#) [1063](#) [1065](#) [D3](#) [46400000](#) [BC-0403](#) [BH-121-1B](#) [BH-1/2AA-2A](#) [BH-131A](#) [BH-3101A](#)  
[BH-3103B](#) [BH-311-1A](#) [BH-311-1D](#) [BH-321-1A](#) [BH-321-1B](#) [BH-321-1D](#) [BH-331-3D](#) [BH-331P](#) [BH-333A](#) [BH-341-1P](#) [BH-342-1A](#) [BH-](#)  
[351A](#) [BH-383A](#) [BH-422A](#) [BH-425A](#) [BH-431-1B](#) [BH-463A](#) [BH-511A](#) [46300000](#) [799-2001](#) [SBH-331A](#) [SBH-341-1A](#) [SBH-341-AS](#) [SBH-](#)  
[431-1AS](#)