



|      |         |         |      |
|------|---------|---------|------|
| REV. | ECN NO. | REVISED | DATE |
|      |         |         |      |

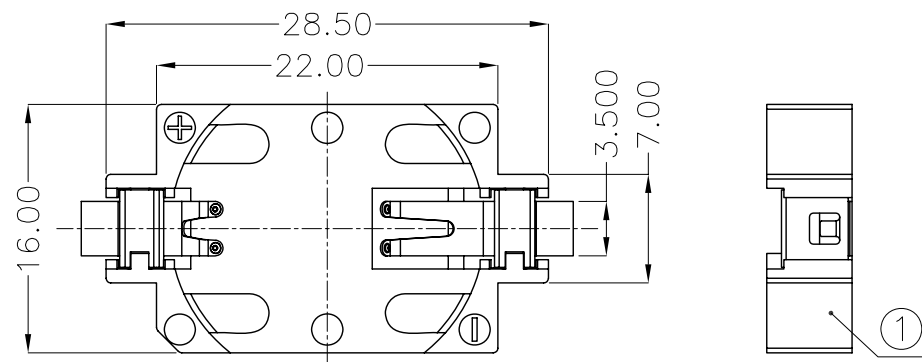
NOTE:

1.MATERIAL:

- a.HOUSING:LCP UL94V-0
- b.CONTACT:PHOSPHOR BRONZE  
(SURFACE PLATING:Sn100u"-120u")

2.ELECTRIC:

- a.CONTACT RESISTANCE: 30 MILLIOHMS MAX
- b.INSULATION RESISTANCE: 1000 MEGA OHMS MIN
- c.DIELECTNIC VOLTAGE: 500V AC ONE SEC LEVEL
- d.OPERATING TEMPERATURE: -25°C~ +85°C



ORDERING INFORMATION

BS-06-B\*\*\*006

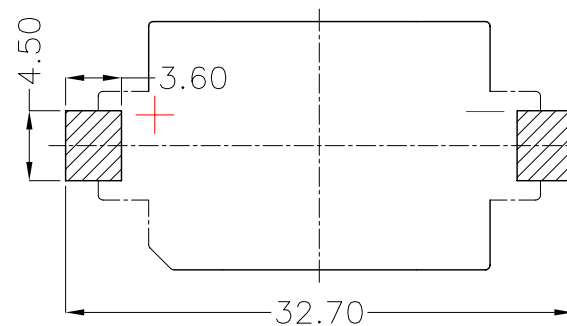
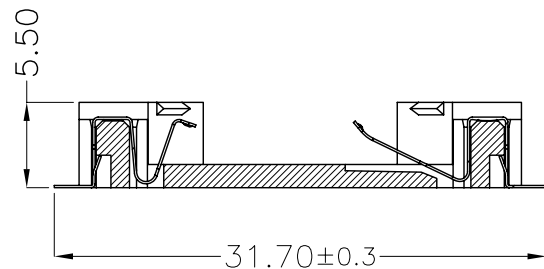
电池座系列

BS-06系列

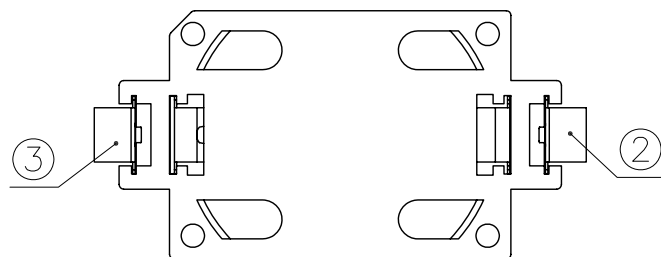
SMT 180° TYPE

PLATING:  
A-Au1U"  
J-Ni100U"~120U"  
K-Sn100U"~120U"

MATERIAL:  
1A-PBT BLACK  
1B-PA66 BLACK  
2A-PPA BROWN  
2B-PPA BLACK  
3A-PPS BROWN  
3B-PPS BLACK  
4A-LCP WHITE  
4B-LCP BLACK  
5A-PA6T WHITE  
5B-PA6T BLACK



PCB Layout Diagram  
Top View



|  |                                 |   |                 |
|--|---------------------------------|---|-----------------|
| UNLESS OTHERWISE SPECIFIED TOLERANCES                              |                                 | <b>MYOUNG 美阳</b> <a href="http://www.meiyangdz.com">www.meiyangdz.com</a> |                 |
| DECIMALS:<br>X :±0.30<br>X.X :±0.25<br>X.XX :±0.20<br>X.XXX :±0.10 | ANGLES:<br>X :±1°<br>X.X :±0.5° | DSND YangFeng   | DATE 2017-07-11 |
| WEIGHT: 1.49g  |                                 | CHKD ZhouRuicai   | DATE 2017-07-11 |
| SHEET 1 OF 1   |                                 | APVD XueShunyong  | DATE 2017-07-11 |
| TITLE:<br>BS-2032-6 Sn SMT黑色                                       |                                 | SCALE: 2:1  | SIZE: A4        |
| PART NO.:<br>BS-06-B4BK006   |                                 | VIEW:   |                 |
| DRAW NO.:MY-CP-0012  |                                 | UNIT: mm  | REV.: A/0       |
|  |                                 | OBJECT: MY  |                 |

| NO. | PART NAME   | Q'TY | MATERIAL                  | PLATING & COLOR |
|-----|-------------|------|---------------------------|-----------------|
| 3   | TERMINAL(-) | 1    | PHOSPHOR BRONZE, T=0.15mm | Sn Plating      |
| 2   | TERMINAL(+) | 1    | PHOSPHOR BRONZE, T=0.15mm | Sn Plating      |
| 1   | HOUSING     | 1    | LCP                       | BLACK           |

## X-ON Electronics

Largest Supplier of Electrical and Electronic Components

*Click to view similar products for [Coin Cell Battery Holders](#) category:*

*Click to view products by [MYOUNG](#) manufacturer:*

Other Similar products are found below :

[PDSN-11-D](#) [799-2007](#) [BH44AAB](#) [BH48DL](#) [BH8000](#) [MY-2430-01-R](#) [BS-16-B4AA006-R](#) [KH-CR1220-2](#) [BH-18650-A1AJ006](#) [BS-02-A1BK007](#) [BH-18650-A1AJ005](#) [BS-12-B3AA009-R](#) [BS-02-A1AK010-X](#) [BS-02-A1AJ010](#) [BS-03-A1AJ001](#) [MY-FJ-131-J-R](#) [MY-FJ-04-J-R](#) [BS-08-B2AA025](#) [BS-24-A1AJ017](#) [BH-18650-A5BJ001-2D](#) [BS-12-A1AJ002-Z](#) [BS-08-B2AA032](#) [MY-2032-04-R](#) [BS-12-B3AA011-R](#) [BS-621-B4AA001-R](#) [MY-ZJ-110](#) [MY-FJ-127-R](#) [BS-06-B4AA002-R](#) [MY-1220-04](#) [BH-AAA-A1AJ001](#) [BS-12-B3AA003-T](#) [MY-FJ-115II-R](#) [BS-06-B4AK001-R](#) [BH-18650-B1BA007](#) [MY-FJ-115II](#) [BH-AAA-B5AA001](#) [BE-13-017](#) [MY-2477-01](#) [BS-12-B3AA013](#) [BC-25-5PD-300](#) [BS-08-B2AA016-R](#) [MY-AAA-22-J](#) [MY-AA-14-J](#) [MY-AAA-24-J](#) [MY-2032-28](#) [BS-06-A4BK016](#) [MY-FJ-01](#) [MY-1025-01](#) [MY-AA-5355-J](#) [BS-05-A1BJ018](#)