



| | | | |
|------|---------|---------|------|
| REV. | ECN NO. | REVISED | DATE |
| | | | |

NOTE:

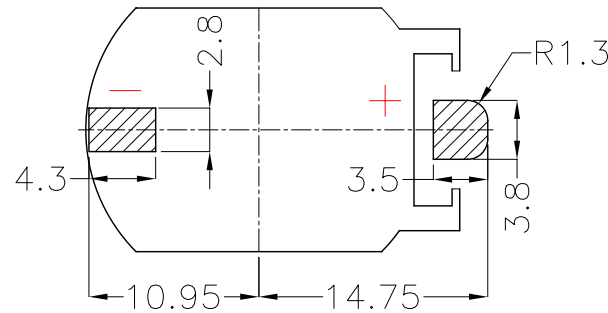
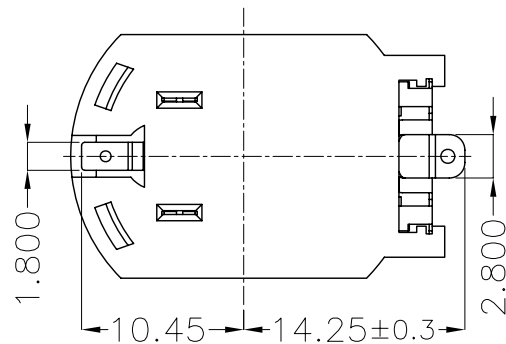
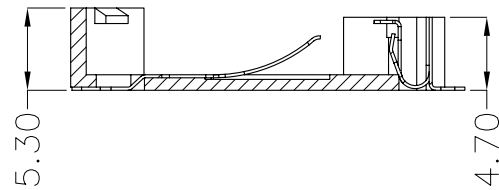
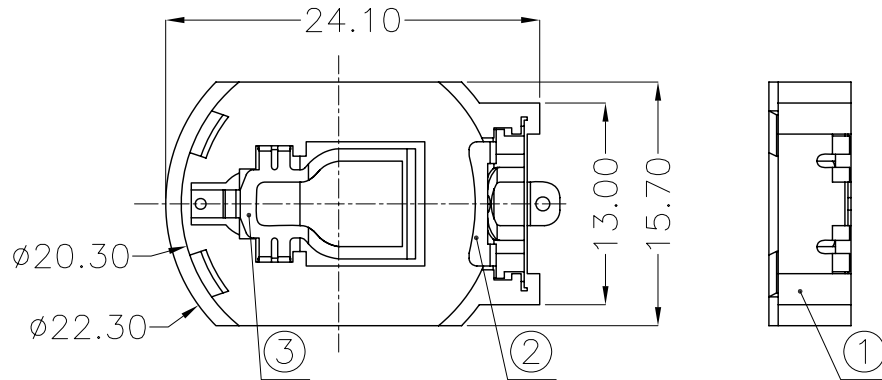
1.MATERIAL:

- a.HOUSING:PPA
- b.CONTACT:PHOSPHOR BRONZE
(SURFACE PLATING: Au1u")

SEE ORDERING INFORMATION

2.ELECTRIC:

- a.CONTACT RESISTANCE: 30 MILLIOHMS MAX
- b.INSULATION RESISTANCE: 1000 MEGA OHMS MIN
- c.DIELECTNIC VOLTAGE: 500V AC ONE SEC LEVEL
- d.OPERATING TEMPERATURE: -25° C~ +85° C



PCB Layout Diagram
Top View

ORDERING INFORMATION

BS-08-B*002**

电池座系列

BS-08系列

SMT 180° TYPE

PLATING:
A-Au1U"
J-Ni100U"~120U"
K-Sn100U"~120U"

MATERIAL:
1A-PBT BLACK
1B-PA66 BLACK
2A-PPA BROWN
2B-PPA BLACK
3A-PPS BROWN
3B-PPS BLACK
4A-LCP WHITE
4B-LCP BLACK



| | | | | |
|-----|-------------|------|---------------------------|-----------------------------------|
| 3 | TERMINAL(-) | 1 | PHOSPHOR BRONZE, T=0.20mm | Gold Plating and Ni Under-Plating |
| 2 | TERMINAL(+) | 1 | PHOSPHOR BRONZE, T=0.20mm | Gold Plating and Ni Under-Plating |
| 1 | HOUSING | 1 | PPA | BROWN |
| NO. | PART NAME | Q'TY | MATERIAL | PLATING & COLOR |

| | | | |
|--|---------------------------------|---|-----------------|
| UNLESS OTHERWISE SPECIFIED TOLERANCES | | MYOUNG 美阳 www.meiyangdz.com | |
| DECIMALS: X :±0.30 X.X :±0.25 X.XX :±0.20 X.XXX :±0.10 | ANGLES: X :±1° X.X :±0.5° | DSND YangFeng | DATE 2017-06-28 |
| WEIGHT: 0.86g | | CHKD ZhouRuicai | DATE 2017-06-28 |
| SHEET 1 OF 1 | | APVD XueShun Yong | DATE 2017-06-28 |
| UNIT: mm | REV.: A/0 | SCALE: 2:1 | VIEW: |
| OBJECT: MY | TITLE: BS-2032-8K SMT | | |
| DRAW NO.:MY-CP-0004 | | PART NO.: BS-08-B2AA002 | |

X-ON Electronics

Largest Supplier of Electrical and Electronic Components

Click to view similar products for [Coin Cell Battery Holders](#) category:

Click to view products by [MYOUNG](#) manufacturer:

Other Similar products are found below :

[9-1066-GF](#) [SMTU2450N-LF](#) [PDSN-11-D](#) [799-2007](#) [BH44AAB](#) [BH48DL](#) [BH8000](#) [MY-2430-01-R](#) [BS-16-B4AA006-R](#) [BS-24-B4AA016-R](#)
[BS-08-B2AA025-R](#) [101](#) [3035](#) [1025](#) [1027](#) [103](#) [1060](#) [1065](#) [D3](#) [46400000](#) [BC-0403](#) [BH-121-1B](#) [BH-1/2AA-2A](#) [BH-131A](#) [BH-3101A](#) [BH-3103B](#) [BH-311-1A](#) [BH-311-1D](#) [BH-321-1A](#) [BH-321-1B](#) [BH-321-1D](#) [BH-331-3D](#) [BH-331P](#) [BH-333A](#) [BH-341-1P](#) [BH-342-1A](#) [BH-351A](#)
[BH-383A](#) [BH-422A](#) [BH-425A](#) [BH-431-1B](#) [BH-463A](#) [BH-511A](#) [46300000](#) [799-2001](#) [SBH-331A](#) [SBH-341-1A](#) [SBH-341-AS](#) [SBH-431-1AS](#) [SBH-441A](#)