



REV.	ECN NO.	REVISED	DATE

NOTE:

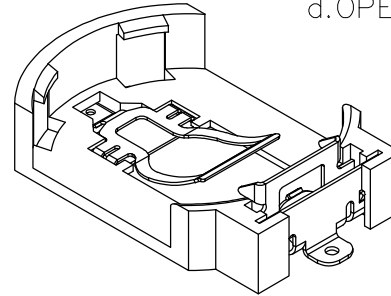
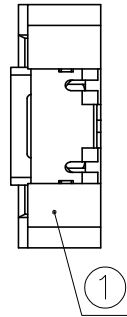
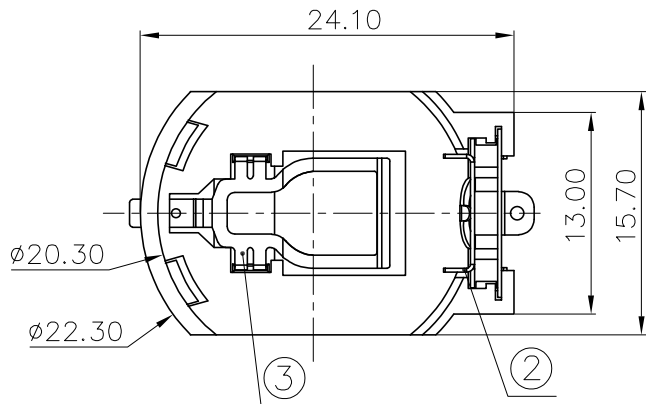
1.MATERIAL:

- a.HOUSING: PPA
- b.CONTACT: PHOSPHOR BRONZE
(SURFACE PLATING: Ni50U"- Sn80U")

SEE ORDERING INFORMATION

2.ELECTRIC:

- a.CONTACT RESISTANCE: 100 MILLIOHMS MAX
- b.INSULATION RESISTANCE: 100 MEGA OHMS MIN
- c.DIELECTRIC VOLTAGE: 500V AC ONE SEC LEVEL
- d.OPERATING TEMPERATURE: -25°C~ +85°C

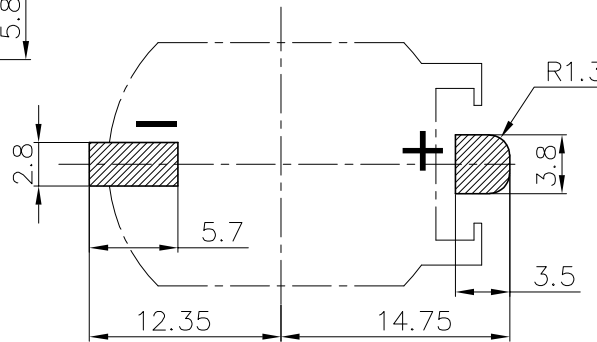
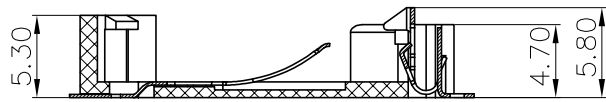


ORDERING INFORMATION
BS-08-B2AL027

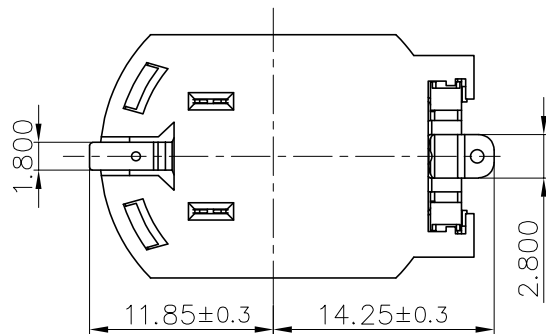
电池座系列
BS-08系列
SMT 180° TYPE

- A-Au1U"
- J-Ni100U"~120U"
- K-Sn100U"~120U"
- L-Ni50U"- Sn80U"

- MATERIAL:
- 1A-PBT BLACK
 - 1B-PA66 BLACK
 - 2A-PPA BROWN
 - 2B-PPA BLACK
 - 3A-PPS BROWN
 - 3B-PPS BLACK
 - 4A-LCP WHITE
 - 4B-LCP BLACK



PCB Layout Diagram
Top View



3	TERMINAL(-)	1	PHOSPHOR BRONZE, T=0.20mm	Tin Plating and Nickel Under-Plating
2	TERMINAL(+)	1	PHOSPHOR BRONZE, T=0.25mm	Tin Plating and Nickel Under-Plating
1	HOUSING	1	PPA	BROWN
NO.	PART NAME	Q'TY	MATERIAL	PLATING & COLOR

UNLESS OTHERWISE SPECIFIED TOLERANCES		MYOUNG 美用 www.meiyangdz.com	
DECIMALS: X :±0.30 X.X :±0.25 X.XX :±0.20 X.XXX :±0.10	ANGLES: X :±1' X.X :±0.5'	DSND YangFeng	DATE 2021-06-03
		CHKD ZhouRuicai	DATE 2021-06-03
		APVD XueShunyang	DATE 2021-06-03
WEIGHT:		SCALE:	SIZE: A4
SHEET 1 OF 1		VIEW:	REV.: A/0
		UNIT: mm	OBJECT: MY
		TITLE: BS-2032-8GCK 0.7 Sn SMT 卡勾2mm 正极改舌头	
		PART NO.: BS-08-B2AL027	
		DRAW NO.:MY-CP-0141	

X-ON Electronics

Largest Supplier of Electrical and Electronic Components

Click to view similar products for [Coin Cell Battery Holders](#) category:

Click to view products by [MYOUNG](#) manufacturer:

Other Similar products are found below :

[PDSN-11-D](#) [799-2007](#) [BH44AAB](#) [BH48DL](#) [BH8000](#) [MY-2430-01-R](#) [BS-16-B4AA006-R](#) [KH-CR1220-2](#) [BH-18650-A1AJ006](#) [BS-02-A1BK007](#) [BH-18650-A1AJ005](#) [BS-12-B3AA009-R](#) [BS-02-A1AK010-X](#) [BS-02-A1AJ010](#) [BS-03-A1AJ001](#) [MY-FJ-131-J-R](#) [MY-FJ-04-J-R](#) [BS-08-B2AA025](#) [BS-24-A1AJ017](#) [BH-18650-A5BJ001-2D](#) [BS-12-A1AJ002-Z](#) [BS-08-B2AA032](#) [MY-2032-04-R](#) [BS-12-B3AA011-R](#) [BS-621-B4AA001-R](#) [MY-ZJ-110](#) [MY-FJ-127-R](#) [BS-06-B4AA002-R](#) [MY-1220-04](#) [BH-AAA-A1AJ001](#) [BS-12-B3AA003-T](#) [MY-FJ-115II-R](#) [BS-06-B4AK001-R](#) [BH-18650-B1BA007](#) [MY-FJ-115II](#) [BH-AAA-B5AA001](#) [BE-13-017](#) [MY-2477-01](#) [BS-12-B3AA013](#) [BC-25-5PD-300](#) [BS-08-B2AA016-R](#) [MY-AAA-22-J](#) [MY-AA-14-J](#) [MY-AAA-24-J](#) [MY-2032-28](#) [BS-06-A4BK016](#) [MY-FJ-01](#) [MY-1025-01](#) [MY-AA-5355-J](#) [BS-05-A1BJ018](#)