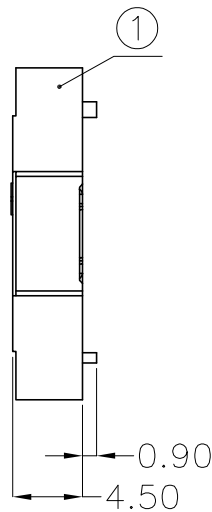
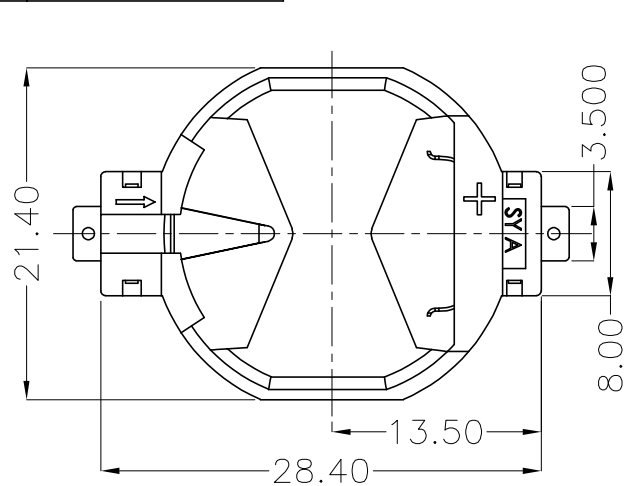




REV.	ECN NO.	REVISED	DATE



1.MATERIAL:  
 a.HOUSING:PPA  
 b.CONTACT:PHOSPHOR BRONZE  
 (SURFACE PLATING:AU1u")  
 SEE ORDERING INFORMATION

2.ELECTRIC:  
 a.CONTACT RESISTANCE: 30 MILLIOHMS MAX  
 b.INSULATION RESISTANCE: 100 MEGA OHMS MIN  
 c.DIELECTNIC VOLTAGE: 500V AC ONE SEC LEVEL  
 d.OPERATING TEMPERATURE: -25°C~ +85°C

ORDERING INFORMATION

BS-11-B\*\*\*001

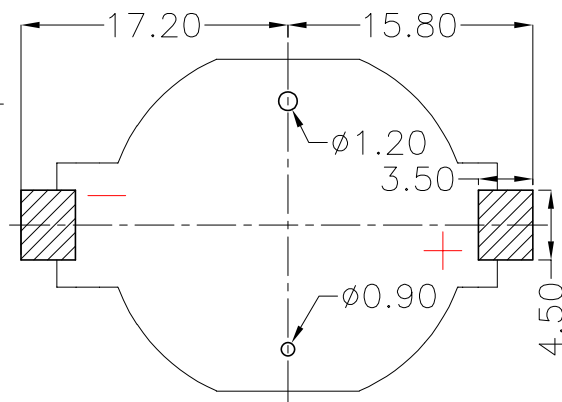
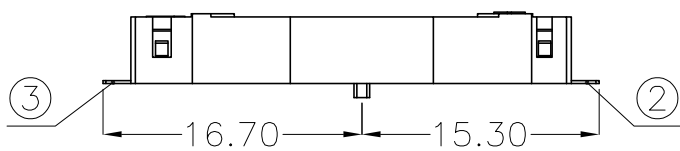
电池座系列

BS-11系列

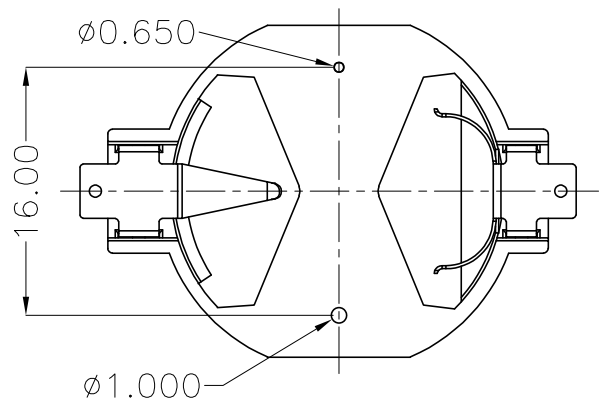
SMT 180° TYPE

PLATING:  
 A-Au1U"  
 J-Ni100U"~120U"  
 K-Sn100U"~120U"

MATERIAL:  
 1A-PBT BLACK  
 1B-PA66 BLACK  
 2A-PPA BROWN  
 2B-PPA BLACK  
 2C-PPA WHITE  
 3A-PPS BROWN  
 3B-PPS BLACK  
 4A-LCP WHITE  
 4B-LCP BLACK  
 5A-PA6T WHITE  
 5B-PA6T BLACK

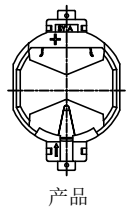


PCB Layout Diagram  
Top View

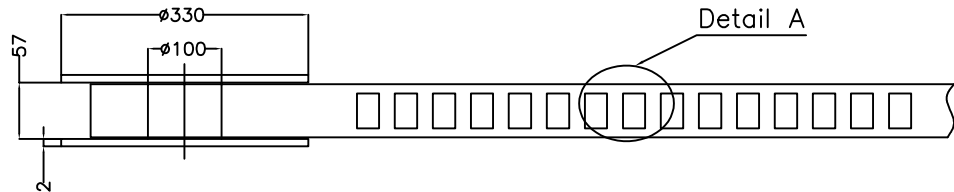
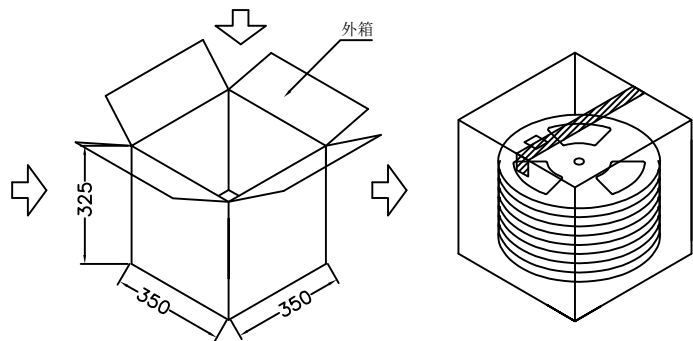
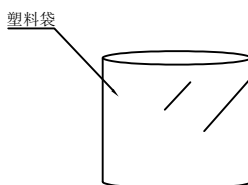
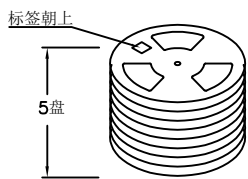
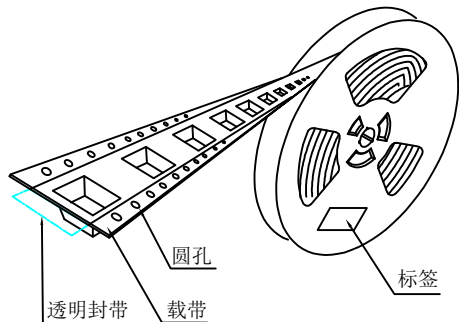


UNLESS OTHERWISE SPECIFIED TOLERANCES		<b>MYOUNG 美用</b> www.meiyangdz.com	
DECIMALS: X :±0.30 X.X :±0.25 X.XX :±0.20 X.XXX :±0.10	ANGLES: X :±1° X.X :±0.5°	DSND YangFeng	DATE 2019-12-30
TITLE: BS-2032-11 Au PPA黑色		CHKD ZhouRuicai	DATE 2019-12-30
PART NO.: BS-11-B2BA001		APVD XueShunyong	DATE 2019-12-30
WEIGHT: 0.98g		SCALE: 2:1	SIZE: A4
VIEW:		UNIT: mm	REV.: A/0
SHEET 1 OF 1		OBJECT: MY	DRAW NO.:MY-CP-0219

NO.	PART NAME	Q'TY	MATERIAL	PLATING & COLOR
3	TERMINAL(-)	1	PHOSPHOR BRONZE, T=0.20mm	Gold Plating and Ni Under-Plating
2	TERMINAL(+)	1	PHOSPHOR BRONZE, T=0.20mm	Gold Plating and Ni Under-Plating
1	HOUSING	1	PPA	BLACK



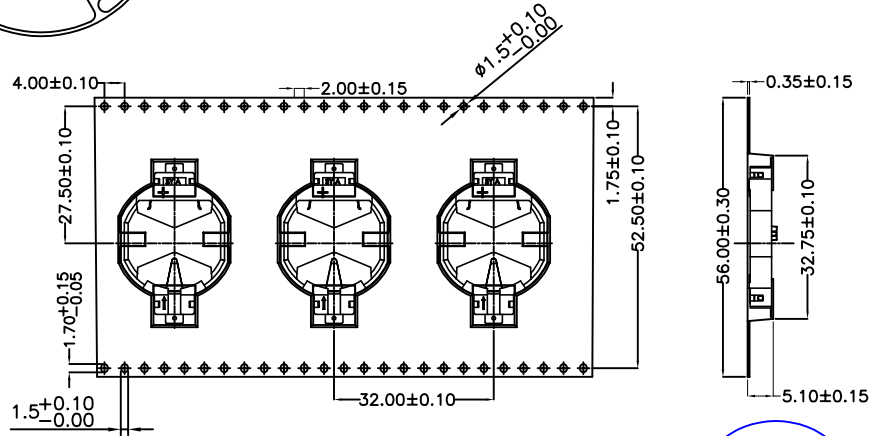
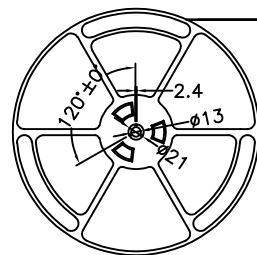
产品



Detail A

出料方向

余留封带长: 300 MIN  
载带与封带剥离角度: 165° -180°  
剥离强度: 0.1-1.0N



Detail A



技术要求:

- 1.圆孔十个孔距离累计允许公差为±0.2mm
- 2.带长250mm内容许弯曲度1mm
- 3.材料厚度以在载带边缘测量为准
- 4.所有尺寸定义依循EIA-481-C系准则定义之
- 5.材料:黑色PS T=0.35mm
- 6.所有卷轮为灰蓝挖空旋转塑胶卷轮
- 7.整模成型长度:12M,
- 8.非指明公差范围为: ±0.1mm;超过250mm不计算累计误差
- 9.型腔外形凡未标明处倒角R为0.2-0.3;拔模斜度未标注的为3°以下

包装信息:

- 1、每卷盘装产品 350 只, 卷盘外侧贴相关标签;
- 2、每 5 卷盘放在一个塑料袋中;
- 3、每外箱装5盘, 产品总数: 1750 只;
- 4、外箱上下用胶纸封成"工"字;
- 5、净重: 1.72 KG, 毛重: 4.72 KG。

UNLESS OTHERWISE SPECIFIED TOLERANCES		<b>MYOUNG 美阳</b> www.meiyangdz.com			
DECIMALS: X :±*** X.X :±*** X.XX :±*** X.XXX :±***	ANGLES: X :±*** X.X :±***	DSND YangFeng	DATE 2022-02-22	TITLE:	
		CHKD ZhouRuicai	DATE 2022-02-22	BS-2032-11 SMT 卷装	
		APVD XueShun Yong	DATE 2022-02-22	PART NO.:	
WEIGHT:		SCALE: 3:1	SIZE: A4	VIEW:	BS-11-BXXX0XX-R
SHEET 1 OF 1		UNIT: mm	REV.: A/0	OBJECT: MY	DRAW NO.:MY-BD-0018

## X-ON Electronics

Largest Supplier of Electrical and Electronic Components

*Click to view similar products for [Coin Cell Battery Holders](#) category:*

*Click to view products by [MYOUNG](#) manufacturer:*

Other Similar products are found below :

[PDSN-11-D](#) [799-2007](#) [BH44AAB](#) [BH48DL](#) [BH8000](#) [MY-2430-01-R](#) [BS-16-B4AA006-R](#) [KH-CR1220-2](#) [BH-18650-A1AJ006](#) [BS-02-A1BK007](#) [BH-18650-A1AJ005](#) [BS-12-B3AA009-R](#) [BS-02-A1AK010-X](#) [BS-02-A1AJ010](#) [BS-03-A1AJ001](#) [MY-FJ-131-J-R](#) [MY-FJ-04-J-R](#) [BS-08-B2AA025](#) [BS-24-A1AJ017](#) [BH-18650-A5BJ001-2D](#) [BS-12-A1AJ002-Z](#) [BS-08-B2AA032](#) [MY-2032-04-R](#) [BS-12-B3AA011-R](#) [BS-621-B4AA001-R](#) [MY-ZJ-110](#) [MY-FJ-127-R](#) [BS-06-B4AA002-R](#) [MY-1220-04](#) [BH-AAA-A1AJ001](#) [BS-12-B3AA003-T](#) [MY-FJ-115II-R](#) [BS-06-B4AK001-R](#) [BH-18650-B1BA007](#) [MY-FJ-115II](#) [BH-AAA-B5AA001](#) [BE-13-017](#) [MY-2477-01](#) [BS-12-B3AA013](#) [BC-25-5PD-300](#) [BS-08-B2AA016-R](#) [MY-AAA-22-J](#) [MY-AA-14-J](#) [MY-AAA-24-J](#) [MY-2032-28](#) [BS-06-A4BK016](#) [MY-FJ-01](#) [MY-1025-01](#) [MY-AA-5355-J](#) [BS-05-A1BJ018](#)