



REV.	ECN NO.	REVISED	DATE

1.MATERIAL:  
a.HOUSING:PPS UL94V-0  
b.CONTACT:PHOSPHOR BRONZE  
(SURFACE PLATING:AU1u")  
SEE ORDERING INFORMATION

2.ELECTRIC:  
a.CONTACT RESISTANCE: 30 MILLIOHMS MAX  
b.INSULATION RESISTANCE: 1000 MEGA OHMS MIN  
c.DIELECTNIC VOLTAGE: 500V AC ONE SEC LEVEL  
d.OPERATING TEMPERATURE: -25°C~ +85°C

ORDERING INFORMATION

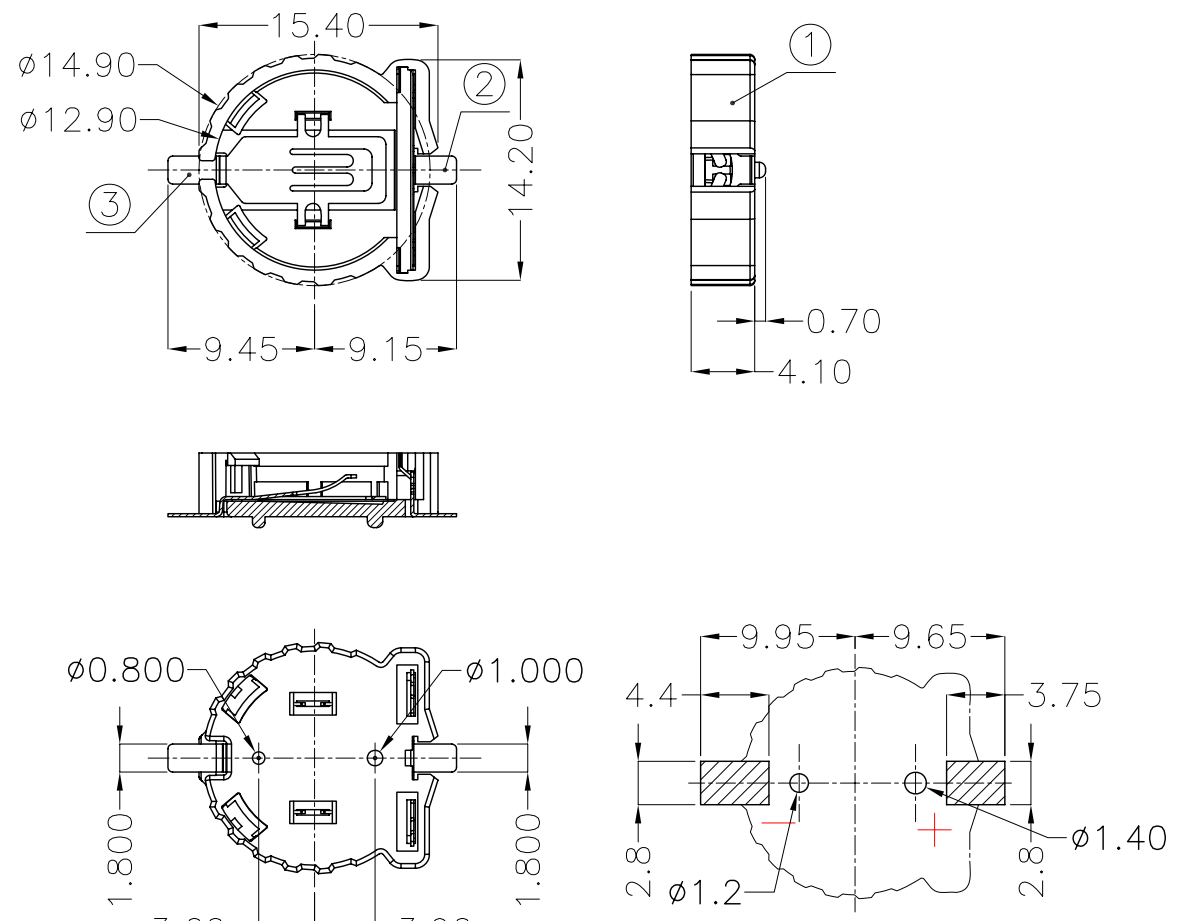
BS-12-B\*\*\*011

PLATING:  
A-Au1U"  
J-Ni100U"~120U"  
K-Sn100U"~120U"

MATERIAL:  
1A-PBT BLACK  
1B-PA66 BLACK  
2A-PPA BROWN  
2B-PPA BLACK  
3A-PPS BROWN  
3B-PPS BLACK  
4A-LCP WHITE  
4B-LCP BLACK

电池座系列  
BS-12系列  
SMT 180° TYPE

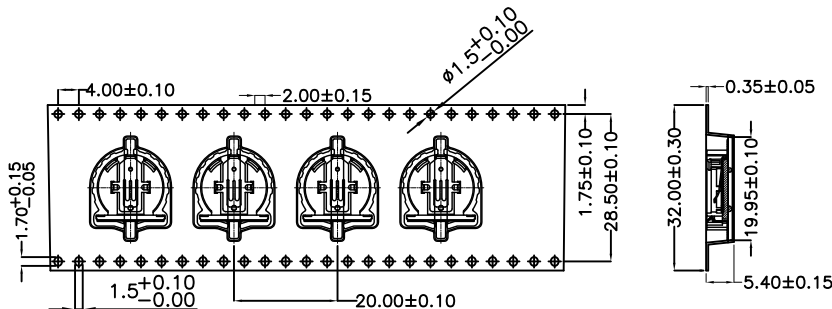
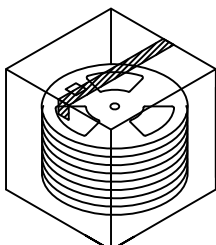
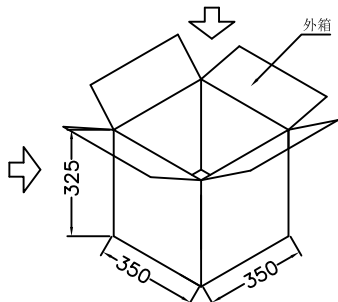
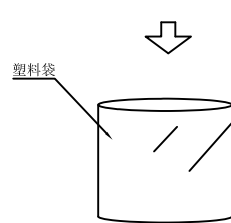
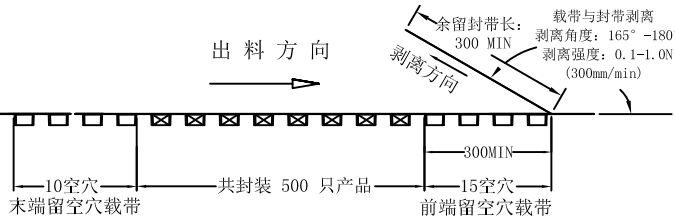
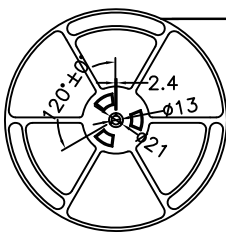
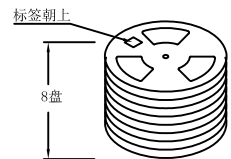
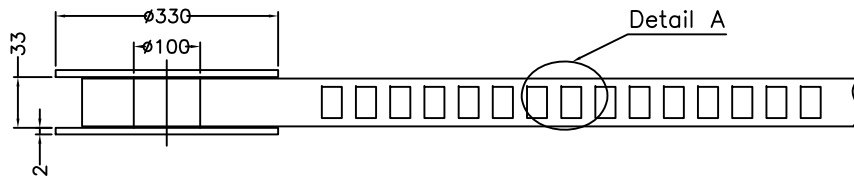
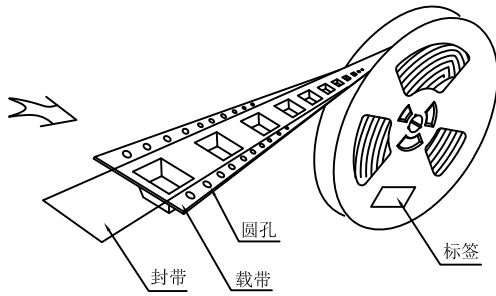
工程部  
2017-06-28  
ZW DANG



PCB Layout Diagram  
Top View

UNLESS OTHERWISE SPECIFIED TOLERANCES		<b>MYOUNG 美阳</b> <a href="http://www.meiyangdz.com">www.meiyangdz.com</a>	
DECIMALS: X :±0.30 X.X :±0.25 X.XX :±0.20 X.XXX :±0.10	ANGLES: X :±1° X.X :±0.5°	DSND YangFeng	DATE 2017-09-01
WEIGHT: 0.70g		CHKD ZhouRuicai	DATE 2017-09-01
SHEET 1 OF 1		APVD XueShunYong	DATE 2017-09-01
TITLE: BS-1220-2 PPS SMT (正极改结构,负极加宽)		SCALE: 2:1	SIZE: A4
PART NO.: BS-12-B3AA011		VIEW:	REV.: A/0
DRAW NO.:MY-CP-0038		UNIT: mm	OBJECT: MY

3	TERMINAL(-)	1	PHOSPHOR BRONZE, T=0.20mm	Gold Plating and Ni Under-Plating
2	TERMINAL(+)	1	PHOSPHOR BRONZE, T=0.20mm	Gold Plating and Ni Under-Plating
1	HOUSING	1	PPS	BROWN
NO.	PART NAME	Q'TY	MATERIAL	PLATING & COLOR



Detail A

工程部  
2020-08-17  
H. WANG

- 技术要求:
1. 圆孔十个孔距离累计允许公差为±0.2mm
  2. 带长250mm内容许弯曲度1mm
  3. 材料厚度以在载带边缘测量为准
  4. 所有尺寸定义依循EIA-481-C系准则定义之
  5. 材料: 黑色PS T=0.35mm
  6. 所有卷轮为灰蓝挖空旋转塑胶卷轮
  7. 整模成型长度: 10.5M,
  8. 非指明公差范围为: ±0.1mm; 超过250mm不计算累计误差
  9. 型腔外形凡未标明处倒角R为0.2-0.3; 拔模斜度未标注的为3°以下

- 包装信息:
- 1、每卷盘装产品 500 只, 卷盘外侧贴相关标签;
  - 2、每 8 卷盘放在一个塑料袋中;
  - 3、每外箱装8盘, 产品总数: 4000 只;
  - 4、外箱上下用胶纸封成“工”字;
  - 5、净重: 2.4 KG, 毛重: 6.9 KG.

UNLESS OTHERWISE SPECIFIED TOLERANCES		<b>MYOUNG 美阳</b> www.meiyangdz.com	
DECIMALS: X : ±*** X.X : ±*** X.XX : ±*** X.XXX : ±***	ANGLES: X : ±*** X.X : ±***	DSND YangFeng	DATE 2020-08-17
		CHKD ZhouRuicai	DATE 2020-08-17
		APVD XueShun Yong	DATE 2020-08-17
WEIGHT:		SCALE: 3:1	VIEW:
SHEET 1 OF 1		SIZE: A4	REV.: A/0
		UNIT: mm	OBJECT: MY
		TITLE: BS-1220-2 SMT 卷装	
		PART NO.: BS-12-B***00*-R	
		DRAW NO.: MY-BD-0011	

## X-ON Electronics

Largest Supplier of Electrical and Electronic Components

*Click to view similar products for [Coin Cell Battery Holders](#) category:*

*Click to view products by [MYOUNG](#) manufacturer:*

Other Similar products are found below :

[PDSN-11-D](#) [799-2007](#) [BH44AAB](#) [BH48DL](#) [MY-2430-01-R](#) [BS-16-B4AA006-R](#) [KH-CR1220-2](#) [BH-18650-A1AJ006](#) [BH-18650-A1AJ005](#)  
[BS-12-B3AA009-R](#) [MY-FJ-131-J-R](#) [MY-FJ-04-J-R](#) [BS-24-A1AJ017](#) [BH-18650-A5BJ001-2D](#) [BS-12-A1AJ002-Z](#) [MY-2032-04-R](#) [BS-12-](#)  
[B3AA011-R](#) [BS-621-B4AA001-R](#) [MY-ZJ-110](#) [MY-FJ-127-R](#) [BS-06-B4AA002-R](#) [MY-1220-04](#) [BH-AAA-A1AJ001](#) [BS-12-B3AA003-T](#)  
[MY-FJ-115II-R](#) [BS-06-B4AK001-R](#) [BH-18650-B1BA007](#) [MY-FJ-115II](#) [BH-AAA-B5AA001](#) [BE-13-017](#) [MY-2477-01](#) [BS-12-B3AA013](#)  
[1063](#) [D3](#) [46400000](#) [BC-0403](#) [BH-121-1B](#) [BH-1/2AA-2A](#) [BH-131A](#) [BH-3101A](#) [BH-3103B](#) [BH-311-1A](#) [BH-311-1D](#) [BH-321-1A](#) [BH-321-](#)  
[1B](#) [BH-321-1D](#) [BH-331-3D](#) [BH-331P](#) [BH-333A](#) [BH-342-1A](#)