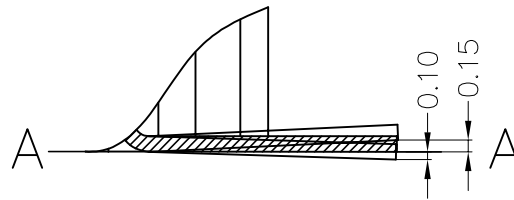
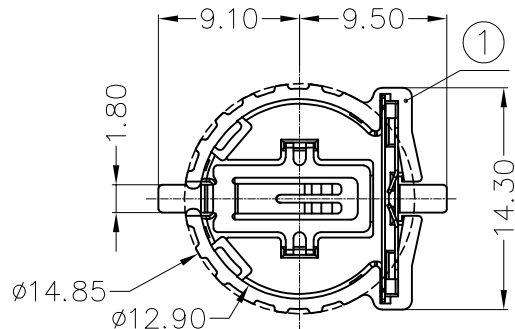
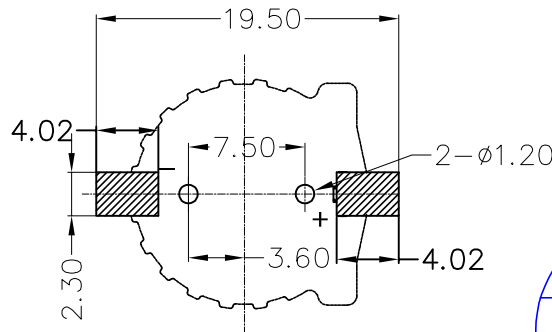
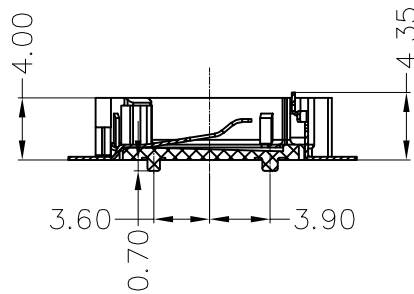




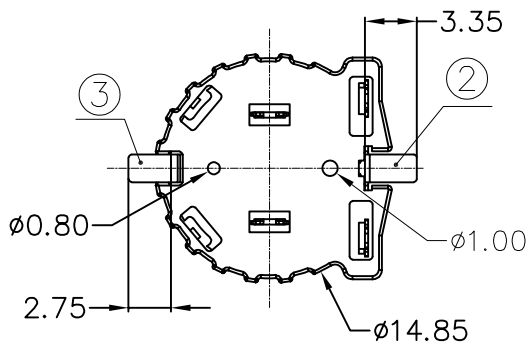
REV.	ECN NO.	REVISED	DATE



Flatness of terminals



PCB Layout Diagram
Top View



1.MATERIAL:

- a.HOUSING:PPS UL94V-0
- b.CONTACT:PHOSPHOR BRONZE
(SURFACE PLATING:AU1u")

SEE ORDERING INFORMATION

2.ELECTRIC:

- a.CONTACT RESISTANCE: 30 MILLIOHMS MAX
- b.INSULATION RESISTANCE: 1000 MEGA OHMS MIN
- c.DIELECTNIC VOLTAGE: 500V AC ONE SEC LEVEL
- d.OPERATING TEMPERATURE: -55°C~ +85°C

ORDERING INFORMATION

BS-12-B***013

电池座系列

BS-12系列

SMT 180° TYPE

PLATING:
A-Au1U"
J-Ni100U"~120U"
K-Sn100U"~120U"

MATERIAL:
1A-PBT BLACK
1B-PA66 BLACK
2A-PPA BROWN
2B-PPA BLACK
3A-PPS BROWN
3B-PPS BLACK
4A-LCP WHITE
4B-LCP BLACK

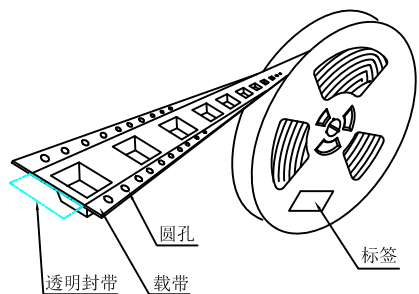
工程部
2022-08-27
LQ. HUANG

UNLESS OTHERWISE SPECIFIED TOLERANCES		MYOUNG 美阳 www.meiyangdz.com	
DECIMALS: X :±0.30 X.X :±0.25 X.XX :±0.20 X.XXX :±0.10	ANGLES: X :±1° X.X :±0.5°	DSND YangFeng	DATE 2022-08-27
TITLE: BS-1225-2 PPS SMT		CHKD ZhouRuicai	DATE 2022-08-27
PART NO.: BS-12-B3AA013		APVD XueShunyong	DATE 2022-08-27
WEIGHT:0.63g		SCALE:2:1	SIZE: A4
SHEET 1 OF 1		VIEW:	UNIT: mm
		REV.: A/0	OBJECT: MY
		DRAW NO.:WD-CP-0027	

NO.	PART NAME	Q'TY	MATERIAL	PLATING & COLOR
3	TERMINAL(-)	1	PHOSPHOR BRONZE, T=0.20mm	Gold Plating and Ni Under-Plating
2	TERMINAL(+)	1	PHOSPHOR BRONZE, T=0.20mm	Gold Plating and Ni Under-Plating
1	HOUSING	1	PPS	BROWN

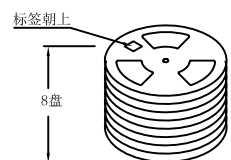


产品

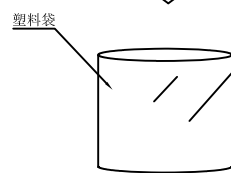


透明封带 载带

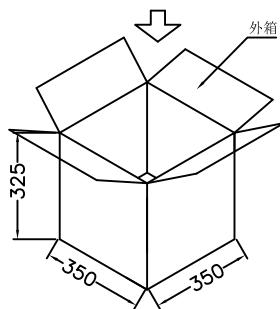
圆孔 标签



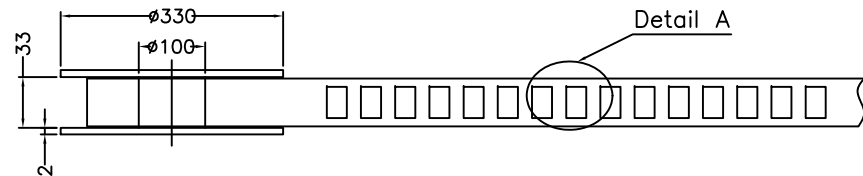
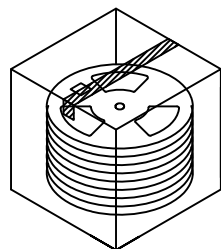
标签朝上 8盘



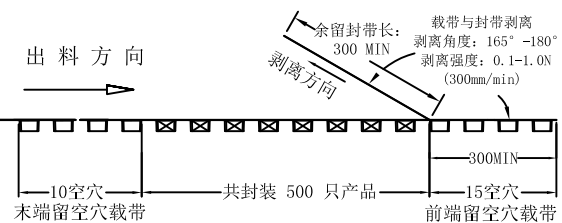
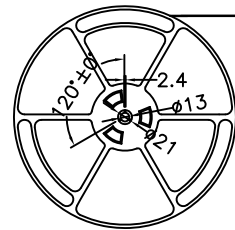
塑料袋



外箱



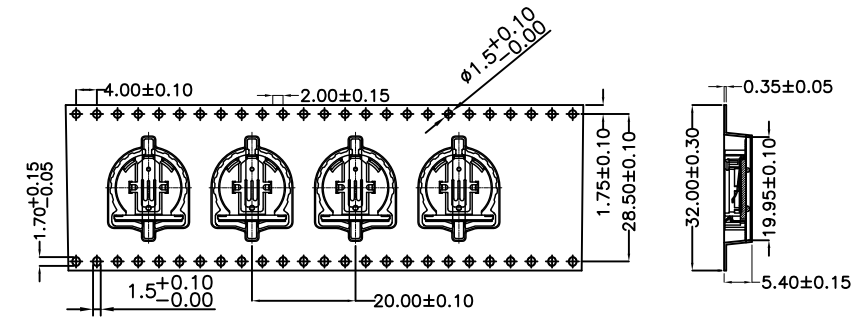
Detail A



出料方向

剥离方向

末端留空穴载带 共封装 500 只产品 前端留空穴载带



Detail A

- 技术要求:
1. 圆孔十个孔距离累计允许公差为±0.2mm
 2. 带长250mm内容许弯曲度1mm
 3. 材料厚度以在载带边缘测量为准
 4. 所有尺寸定义依循EIA-481-C系准则定义之
 5. 材料: 黑色PS T=0.35mm
 6. 所有卷轮为灰蓝挖空旋转塑胶卷轮
 7. 整模成型长度: 10.5M,
 8. 非指明公差范围为: ±0.1mm; 超过250mm不计算累计误差
 9. 型腔外形凡未标明处倒角R为0.2-0.3; 拔模斜度未标注的为3° 以下

- 包装信息:
- 1、每卷盘装产品 500 只, 卷盘外侧贴相关标签;
 - 2、每 8 卷盘放在一个塑料袋中;
 - 3、每外箱装8盘, 产品总数: 4000 只;
 - 4、外箱上下用胶纸封成“工”字;
 - 5、净重: 2.4 KG, 毛重: 6.9 KG.



工程部

2021-10-11

H. WANG

UNLESS OTHERWISE SPECIFIED TOLERANCES		MYOUNG 美阳 www.meiyangdz.com			
DECIMALS: X : ±*** X.X : ±*** X.XX : ±*** X.XXX : ±***	ANGLES: X : ±*** X.X : ±***	DSND	YangFeng	DATE	2021-10-11
		CHKD	ZhouRuicai	DATE	2021-10-11
		APVD	XueShun Yong	DATE	2021-10-11
WEIGHT:		SCALE:	3:1	SIZE:	A4
SHEET 1 OF 1		VIEW:	④ ⊞	REV.:	A/0
		UNIT:	mm	OBJECT:	MY
		TITLE:		BS-1220-2 SMT 卷装	
		PART NO.:		BS-12-B***00*-R	
		DRAW NO.:MY-BD-0011			

X-ON Electronics

Largest Supplier of Electrical and Electronic Components

Click to view similar products for [Coin Cell Battery Holders](#) category:

Click to view products by [MYOUNG](#) manufacturer:

Other Similar products are found below :

[PDSN-11-D](#) [799-2007](#) [BH44AAB](#) [BH48DL](#) [BH8000](#) [MY-2430-01-R](#) [BS-16-B4AA006-R](#) [KH-CR1220-2](#) [BH-18650-A1AJ006](#) [BS-02-A1BK007](#) [BH-18650-A1AJ005](#) [BS-12-B3AA009-R](#) [BS-02-A1AK010-X](#) [BS-02-A1AJ010](#) [BS-03-A1AJ001](#) [MY-FJ-131-J-R](#) [MY-FJ-04-J-R](#) [BS-08-B2AA025](#) [BS-24-A1AJ017](#) [BH-18650-A5BJ001-2D](#) [BS-12-A1AJ002-Z](#) [BS-08-B2AA032](#) [MY-2032-04-R](#) [BS-12-B3AA011-R](#) [BS-621-B4AA001-R](#) [MY-ZJ-110](#) [MY-FJ-127-R](#) [BS-06-B4AA002-R](#) [MY-1220-04](#) [BH-AAA-A1AJ001](#) [BS-12-B3AA003-T](#) [MY-FJ-115II-R](#) [BS-06-B4AK001-R](#) [BH-18650-B1BA007](#) [MY-FJ-115II](#) [BH-AAA-B5AA001](#) [BE-13-017](#) [MY-2477-01](#) [BS-12-B3AA013](#) [BC-25-5PD-300](#) [BS-08-B2AA016-R](#) [MY-AAA-22-J](#) [MY-AA-14-J](#) [MY-AAA-24-J](#) [MY-2032-28](#) [BS-06-A4BK016](#) [MY-FJ-01](#) [MY-1025-01](#) [MY-AA-5355-J](#) [BS-05-A1BJ018](#)